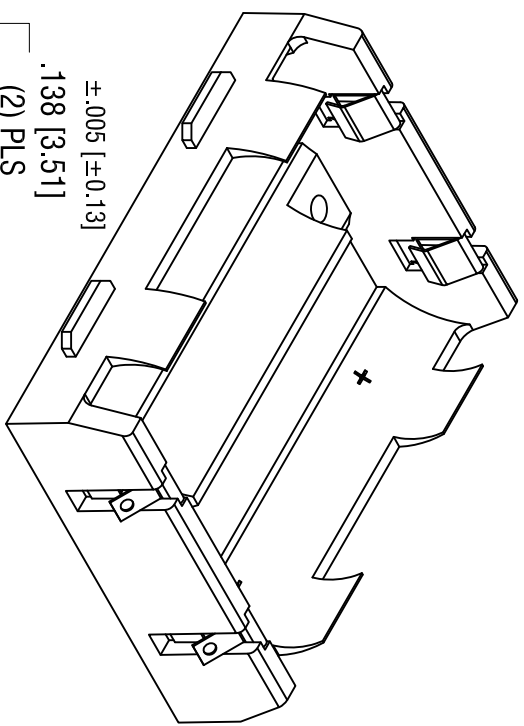


POLARITY SYMBOL
(APPROX. AS SHOWN)

DATE	DESCRIPTION	REV.
1.19.15	CHANGE AS PER ECN 15-011	A
1.21.15	CHANGE AS PER ECN 15-016	B
9.16.15	CHANGE AS PER ECN 15-100	C



NOTE:
1. BASE:
MATE'L: PBT (BLACK COLOR)
2. CONTACT:
MATE'L: .012 THK STAINLESS STEEL
FINISH: TIN NICKEL PLATE

THIS DOCUMENT IS THE PROPERTY OF
KEYSTONE ELECTRONICS CORP. AND
SHALL NOT BE REPRODUCED, DISTRIBUTED
OR USED AS A BASIS FOR MANUFACTURE
WITHOUT PRIOR WRITTEN PERMISSION
FROM KEYSTONE ELECTRONICS CORP.

KEYSTONE ELECTRONICS CORP.
www.keystec.com • ASTORIA, N.Y. 11105-2017 • Tel (718) 956-8900

PART NAME
SOLDER TAIL DUAL BATTERY HOLDER, 26650

MATERIAL
AS NOTED

FINISH
AS NOTED

TOLERANCES	INCH	[MM]	CODE	DWG NO.
DECIMAL	± .010	[± 0.25]	C	1109
ANGULAR	± 1°			

DRN BY: NT DATE: 11.07.14
APP'D: RH SCALE: 1X