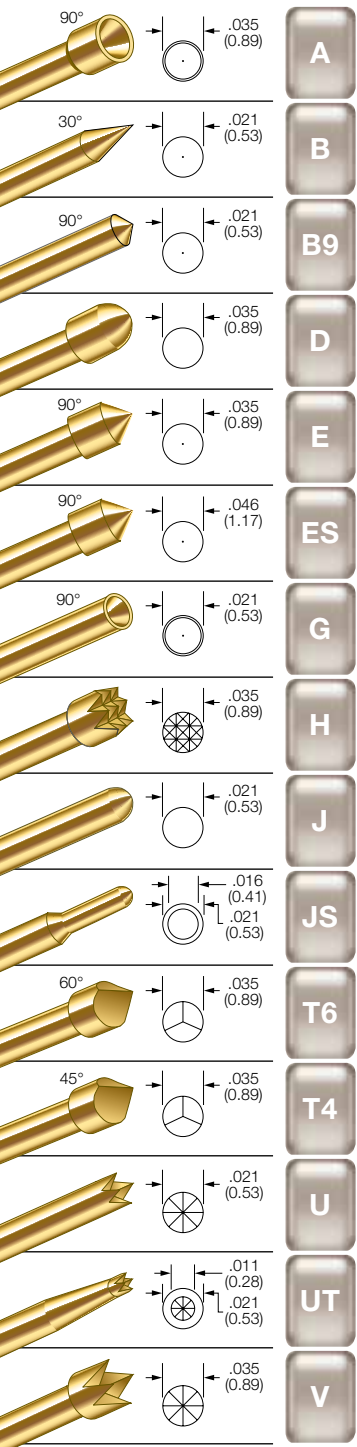


# Series S Size 0 - .050 Centers

## BeCu PLUNGER TIPS



## PROBE SPECIFICATIONS

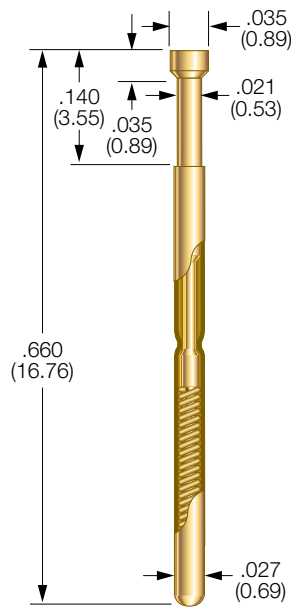
**Minimum Centers:** .050 (1.27)  
**Current Rating:** 3 amps continuous  
**Spring Force:** 2.2, 2.5 or 3.7 oz. @ .070 (1.78) travel  
**Typical Resistance:** < 35 mΩ  
**Maximum Travel:** .100 (2.54)  
**Working Travel:** .070 (1.78)

Rated Force oz. (g)	Preload oz. (g)	Material
2.2 (62)	0.6 (17)	BeCu
2.5 (71)	0.6 (17)	SS
3.7 (105)	1.9 (54)	MW

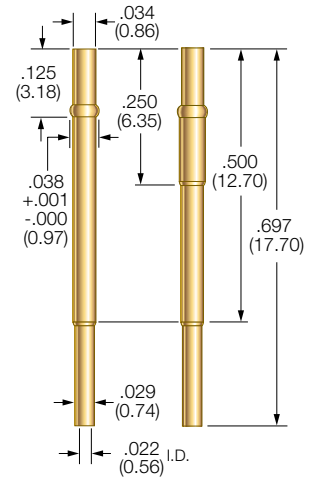
## MATERIALS

**Barrel:** Nickel/silver, gold plated  
**Spring:** Beryllium copper, music wire or stainless steel, gold plated  
**Plunger:** Beryllium copper, gold plated over nickel or Duralloy™  
**Receptacle:** Nickel/silver, gold plated, gold plated post  
**Plug-In Terminal:** Beryllium copper, preplated gold

## S-0 PROBE



## R-0 Receptacles



**Drill Size:** #64  
**Mounting Hole Size:** .035/.0365 (0.89/0.93)  
**Recommended Wire:** 28-30 gage

## RECEPTACLE OPTIONS

Part Number	Style	Receptacle Length	Probe/Receptacle Combined Length	Comments
R-0-CR	Crimp	0.697 (17.70)	0.857 (21.77)	—
R-0-SC	Solder Cup	0.697 (17.70)	0.857 (21.77)	—
R-0-WW-016	Wire Wrap	0.947 (24.05)	1.107 (28.12)	.250 post length - .016 sq.
R-0-WW-025	Wire Wrap	0.997 (25.32)	1.157 (29.39)	.300 post length - .025 sq.
R-0-PW	Preattached Wire	0.697 (17.70)	0.857 (21.77)	30 gage - non vacuum sealed*
R-0-DS	Duraseal®	0.697 (17.70)	0.857 (21.77)	30 gage - vacuum sealed*
R-0-WT	Plug-In Receptacle	0.697 (17.70)	0.857 (21.77)	For use with FP-Plug terminal
FP-Plug	Plug-In Terminal	—	—	Plugs into R-0-WT receptacle*

\* Unless otherwise specified, wire length 36", strip length 1", 30 gage Kynar

## HOW TO ORDER: SPRING CONTACT PROBE

<b>S</b>	<b>0</b>	<b>A</b>	<b>2.2</b>	<b>G</b>
SERIES	SIZE	TIP STYLE	SPRING FORCE	PLATING OPTIONS

**SERIES:**  
**S:** STANDARD  
**SX:** IMPROVED POINTING ACCURACY

**SPRING FORCE:**  
 2.2 oz. @ .070 (1.78) TRAVEL  
 2.5 oz. @ .070 (1.78) TRAVEL  
 3.7 oz. @ .070 (1.78) TRAVEL

**PLATING OPTIONS:**  
**G:** GOLD PLATED PLUNGER  
**D:** DURALLOY™ PLATED PLUNGER

**CRIMPING PLIERS:** CP0  
**INSERTION TOOL:** RT0  
**WIRE PLUG TOOL:** RTWT

## RECEPTACLE

<b>R</b>	<b>0</b>	<b>CR</b>
SERIES	SIZE	TERMINATION

**SERIES:**  
**R:** HIGH PERFORMANCE  
**RX:** IMPROVED POINTING ACCURACY  
 \* UNLESS OTHERWISE SPECIFIED, WIRE LENGTH 36", STRIP LENGTH 1", 30 GAGE KYNAR. 12" & 36" STANDARD.  
 \*\*FOR USE WITH FP-PLUG TERMINAL. 12" & 36" STANDARD

**TERMINATIONS:**  
**CR:** CRIMP  
**SC:** SOLDER CUP  
**WW-016:** WIRE WRAP .016 SQ  
**WW-025:** WIRE WRAP .025 SQ  
**PW:** PREATTACHED WIRE\*  
**DS:** DURASEAL\*  
**WT:** PLUG-IN RECEPTACLE\*\*

VIEW UPDATES OF THIS INFORMATION AT [WWW.IDINET.COM](http://WWW.IDINET.COM)

Specifications subject to change without notice. Dimensions in inches (millimeters)

# Mouser Electronics

Authorized Distributor

Click to View Pricing, Inventory, Delivery & Lifecycle Information:

## Smiths Interconnect:

[R-0-WW-025](#) [RX-0-CR](#) [S-0-JS-2.2-G S/C](#) [S-0-JS-2.5-D S/C](#) [S-0-JS-2.5-G S/C](#) [S-0-JS-3.7-D S/C](#) [S-0-JS-3.7-G S/C](#)  
[S-0-T4-2.2-D S/C](#) [S-0-T4-2.2-G S/C](#) [S-0-T4-2.5-D S/C](#) [S-0-T4-2.5-G S/C](#) [S-0-T4-3.7-D S/C](#) [S-0-T4-3.7-G S/C](#) [S-0-U-2.2-D S/C](#) [S-0-U-2.2-G S/C](#) [S-0-U-2.5-D S/C](#) [S-0-U-2.5-G S/C](#) [S-0-U-3.7-D S/C](#) [S-0-U-3.7-G S/C](#) [S-0-UT-2.2-D S/C](#) [S-0-UT-2.2-G S/C](#) [S-0-UT-2.5-D S/C](#) [S-0-UT-2.5-G S/C](#) [S-0-UT-3.7-D S/C](#) [S-0-UT-3.7-G S/C](#) [S-0-V-2.2-D S/C](#) [S-0-V-2.2-G S/C](#) [S-0-V-2.5-D S/C](#) [S-0-V-2.5-G S/C](#) [S-0-V-3.7-D S/C](#) [S-0-V-3.7-G S/C](#) [SX-0-B-2.2-G D/C](#) [SX-0-H-2.2-G D/C](#) [SX-0-JS-2.2-G](#) [SX-0-JS-2.5-G D/C](#) [SX-0-T6-3.7-G D/C](#) [SX-0-U-2.2-G D/C](#) [SX-0-UT-2.5-G D/C](#) [S-0-A-2.2-G 660 S/C](#) [RX-0-DS-36-1](#) [RXSS50DS BLUE 30G](#) [RX-0-WW-025](#) [RXSS50WW](#) [R-0-WW-016](#) [RSS50WW](#) [RX-0-WW-016](#) [RXSS50WW](#) [RX-0-PW-36-1](#) [RXSS50PW VIOLET 30G](#) [S-0-A-2.2-D 660 S/C](#) [S-0-A-2.5-D S/C](#) [S-0-A-2.5-G S/C](#) [S-0-A-3.7-D S/C](#) [S-0-A-3.7-G S/C](#) [S-0-B-2.2-D S/C](#) [S-0-B-2.2-G S/C](#) [S-0-B-2.5-D S/C](#) [S-0-B-2.5-G S/C](#) [S-0-B-3.7-D S/C](#) [S-0-B-3.7-G S/C](#) [S-0-B9-2.2-D S/C](#) [S-0-B9-2.2-G S/C](#) [S-0-B9-2.5-D S/C](#) [S-0-B9-2.5-G S/C](#) [S-0-B9-3.7-D S/C](#) [S-0-B9-3.7-G S/C](#) [S-0-C-2.2-D S/C](#) [S-0-C-2.2-G S/C](#) [S-0-C-2.5-D S/C](#) [S-0-C-2.5-G S/C](#) [S-0-C-3.7-D S/C](#) [S-0-C-3.7-G S/C](#) [S-0-D-2.2-D S/C](#) [S-0-D-2.2-G S/C](#) [S-0-D-2.5-D S/C](#) [S-0-D-2.5-G S/C](#) [S-0-D-3.7-D S/C](#) [S-0-D-3.7-G S/C](#) [S-0-E-2.2-D S/C](#) [S-0-E-2.2-G S/C](#) [S-0-E-2.5-D S/C](#) [S-0-E-2.5-G S/C](#) [S-0-E-3.7-D S/C](#) [S-0-E-3.7-G S/C](#) [S-0-ES-2.2-D S/C](#) [S-0-ES-2.2-G S/C](#) [S-0-ES-2.5-D S/C](#) [S-0-ES-2.5-G S/C](#) [S-0-ES-3.7-D S/C](#) [S-0-ES-3.7-G S/C](#) [S-0-H-2.2-D S/C](#) [S-0-H-2.2-G S/C](#) [S-0-H-2.5-D S/C](#) [S-0-H-2.5-G S/C](#) [S-0-H-3.7-D S/C](#) [S-0-H-3.7-G S/C](#) [S-0-HS-3.7-G S/C](#) [S-0-J-2.2-D S/C](#) [S-0-J-2.2-G S/C](#) [S-0-J-2.5-D S/C](#) [S-0-J-2.5-G S/C](#) [S-0-J-3.7-D S/C](#) [S-0-J-3.7-G S/C](#) [S-0-JS-2.2-D S/C](#) [R-0-PW-36-1\(RSS50PW\) BLUE](#)