

HCPL-0370, HCPL-3700, HCPL-3760

Isolated Voltage/Current Detectors

Data Sheet



Description

The HCPL-0370/3700 and HCPL-3760 are voltage/current threshold detection optocouplers. The HCPL-3760 is a low-current version of the HCPL-0370/3700. To obtain lower current operation, the HCPL-3760 uses a high-efficiency AlGaAs LED which provides higher light output at lower drive currents. The devices utilize threshold sensing input buffer ICs which permit control of threshold levels over a wide range of input voltages with a single external resistor.

The input buffer incorporates several features: hysteresis for extra noise immunity and switching immunity, a diode bridge for easy use with ac input signals, and internal clamping diodes to protect the buffer and LED from a wide range of over-voltage and over-current transients. Because threshold sensing is done prior to driving the LED, variations in optical coupling from the LED to the detector will have no effect on the threshold levels.

Functional Diagram



TRUTH TABLE
(POSITIVE LOGIC)

| INPUT | OUTPUT |
|-------|--------|
| H | L |
| L | H |

Features

- Standard (HCPL-0370/3700) and low input current (HCPL-3760) versions
- AC or DC input
- Programmable sense voltage
- Hysteresis
- Logic compatible output
- Thresholds guaranteed over temperature
- Thresholds independent of LED optical parameters
- Recognized under UL 1577 and CSA approved for dielectric withstand proof test voltage of 3750 Vac, 1 minute

Applications

- Limit switch sensing
- Low voltage detector
- AC mains and DC link voltage detection
- Relay contact monitor
- Relay coil voltage monitor
- Current sensing
- Microprocessor interfacing



CAUTION: It is advised that normal static precautions be taken in handling and assembly of this component to prevent damage and/or degradation which may be induced by ESD.

The HCPL-0370/3700's input buffer IC has a nominal turn on threshold of 2.5 mA (I_{TH+}) and 3.7 volts (V_{TH+}).

The buffer IC for the HCPL-3760 was redesigned to permit a lower input current. The nominal turn on threshold for the HCPL-3760 is 1.2 mA (I_{TH+}) and 3.7 volts (V_{TH+}).

The high gain output stage features an open collector output providing both TTL compatible saturation voltages and CMOS compatible breakdown voltages.

By combining several unique functions in a single package, the user is provided with an ideal component for industrial control computer input boards and other applications where a predetermined input threshold level is desirable.

Ordering Information

HCPL-0370/HCPL-3700/HCPL-3760 is UL Recognized with 3750 Vrms for 1 minute per UL1577 unless otherwise specified.

| Part number | Option | | Package | Surface Mount | Gull Wing | Tape & Reel | UL 5000 Vrms/1 Minute | IEC/EN/DIN EN 60747-5-5 | Quantity | |
|-------------|----------------|--------------------|---------------|---------------|-----------|-------------|-----------------------|-------------------------|---------------|-------------|
| | RoHS Compliant | Non-RoHS Compliant | | | | | | | | |
| HCPL-0370 | -000E | No option | SO-8 | X | | | | | 100 per tube | |
| | -500E | -500 | | X | | X | | | 1500 per reel | |
| | -060E | NA | | X | | | | X | 100 per tube | |
| | -560E | NA | | X | | X | | X | 1500 per reel | |
| HCPL-3700 | -000E | No option | 300 mil DIP-8 | | | | | | 50 per tube | |
| | -300E | #300 | | X | X | | | | 50 per tube | |
| | -500E | #500 | | X | X | X | | | 1000 per reel | |
| | -020E | -020 | | | | | | X | 50 per tube | |
| | -320E | -320 | | X | X | | | X | 50 per tube | |
| | -520E | -520 | | X | X | X | | X | 1000 per reel | |
| | -060E | NA | | | | | | | X | 50 per tube |
| | -360E | NA | | X | X | | | | X | 50 per tube |
| HCPL-3760 | -560E | NA | X | X | X | | | X | 1000 per reel | |
| | -000E | No option | 300 mil DIP-8 | | | | | | 50 per tube | |
| | -300E | #300 | | X | X | | | | 50 per tube | |
| | -500E | #500 | | X | X | X | | | 1000 per reel | |
| | -060E | NA | | | | | | | X | 50 per tube |
| | -360E | NA | | X | X | | | | X | 50 per tube |
| -560E | NA | X | | X | X | | | X | 1000 per reel | |

Note:
NA = Not available.

To order, choose a part number from the part number column and combine with the desired option from the option column to form an order entry.

Example 1: HCPL-3760-500E to order product of Gull Wing Surface Mount package in Tape and Reel packaging with and RoHS compliant.

Example 2: HCPL-3700 to order product of 300 mil DIP package in Tube packaging and non RoHS compliant.

Option datasheets are available. Contact your Avago sales representative or authorized distributor for information.

Remarks: The notation '#XXX' is used for existing products, while (new) products launched since July 15, 2001 and RoHS compliant will use '-XXxE.'

Schematic



Package Outline Drawings

Standard DIP Package (HCPL-3700/3760)



DIMENSIONS IN MILLIMETERS AND (INCHES).

NOTE: FLOATING LEAD PROTRUSION IS 0.25 mm (10 mils) MAX.

Package Outline Drawings, continued
Gull Wing Surface Mount Option 300 (HCPL-3700/3760)



DIMENSIONS IN MILLIMETERS (INCHES).
 TOLERANCES (UNLESS OTHERWISE SPECIFIED): xx.xx = 0.01
 xx.xxx = 0.005

LEAD COPLANARITY
 MAXIMUM: 0.102 (0.004)

NOTE: FLOATING LEAD PROTRUSION IS 0.25 mm (10 mils) MAX.

Small Outline S0-8 Package (HCPL-0370)



* TOTAL PACKAGE LENGTH (INCLUSIVE OF MOLD FLASH)
 5.207 ± 0.254 (0.205 ± 0.010)

DIMENSIONS IN MILLIMETERS (INCHES).
 LEAD COPLANARITY = 0.10 mm (0.004 INCHES) MAX.

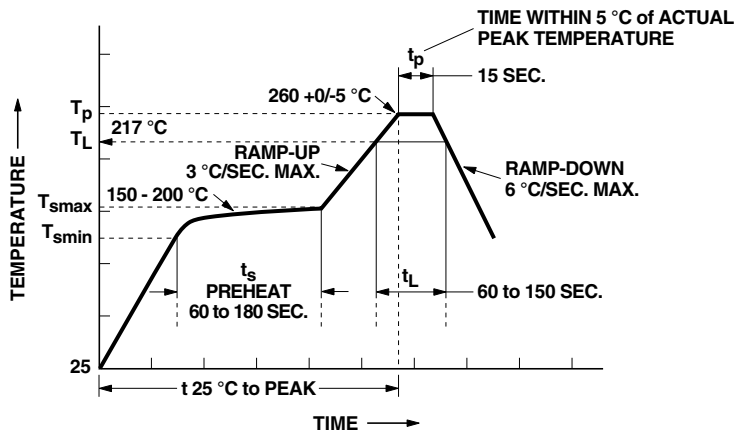
NOTE: FLOATING LEAD PROTRUSION IS 0.15 mm (6 mils) MAX.

Solder Reflow Thermal Profile



Note: Non-halide flux should be used.

Recommended Pb-Free IR Profile



NOTES:
 THE TIME FROM 25 °C to PEAK TEMPERATURE = 8 MINUTES MAX.
 $T_{smax} = 200\text{ }^\circ\text{C}$, $T_{smin} = 150\text{ }^\circ\text{C}$

Note: Non-halide flux should be used.

Regulatory Information

The HCPL-0370/3700/3760 has been approved by the following organizations:

IEC/EN/DIN EN 60747-5-5 (with option 060)

Maximum Working Insulation Voltage $V_{IORM} = 567\text{ Vpeak}$ for HCPL-0370, and 630 Vpeak for HCPL3700/3760.

Highest Allowable Overvoltage $V_{IOTM} = 6000\text{ Vpeak}$ for HCPL-0370/3700/3760.

UL

Recognized under UL 1577, component recognition program, File E55361 (HCPL-0370 pending).

CSA

Approved under CSA Component Acceptance Notice #5, File CA 88324.

Insulation and Safety Related Specifications

| Parameter | Symbol | 8-Pin DIP (300 mil) | SO-8 | Units | Conditions |
|--|--------|------------------------|-------|-------|---|
| | | Value | Value | | |
| Min.. External Air Gap (External Clearance) | L(IO1) | 7.1 | 4.9 | mm | Measured from input terminals to output terminals, hortest distance through air |
| Min.. External Tracking Path (External Creepage) | L(IO2) | 7.4 | 4.8 | mm | Measured from input terminals to output terminals, shortest distance path along body |
| Min.. Internal Plastic Gap (Internal Clearance) | | 0.08 | 0.08 | mm | Through insulation distance, conductor to conductor, usually the direct distance between the photoemitter and photodetector inside the optocoupler cavity |
| Tracking Resistance (Comparative Tracking Index) | CTI | 200 | 200 | V | DIN IEC 112/VDE 0303 PART 1 |
| Isolation Group | | | IIIa | | Material Group (DIN VDE 0110, 1/89, Table 1) |

IEC/EN/DIN EN 60747-5-5 Insulation Related Characteristics^[1] (with option 060)

| Description | Symbol | HCPL-0370 | HCPL-3700/3760 | Units |
|--|----------------|-----------------------|-----------------------|----------|
| Installation classification per DIN VDE 0110/1.89, Table 1 for rated mains voltage ≤ 150 V rms for rated mains voltage ≤ 300 V rms for rated mains voltage ≤ 600 V rms | | I-IV I-IV I-III | I-IV I-IV I-III | |
| Climatic Classification | | 55/85/21 | 55/85/21 | |
| Pollution Degree (DIN VDE 0110/1.89) | | 2 | 2 | |
| Maximum Working Insulation Voltage | V_{IORM} | 567 | 630 | V peak |
| Input to Output Test Voltage, Method b $V_{IORM} \times 1.875 = V_{PR}$ 100% Production Test with $t_m = 1$ sec Partial Discharge < 5 pC | V_{PR} | 1063 | 1181 | V peak |
| Input to Output Test Voltage, Method a $V_{IORM} \times 1.6 = V_{PR}$ Type and sample test, $t_m = 10$ sec, Partial Discharge < 5 pC | V_{PR} | 907 | 1008 | V peak |
| Highest Allowable Overvoltage (Transient Overvoltage, $t_{ini} = 60$ sec) | V_{IOTM} | 6000 | 6000 | V peak |
| Safety Limiting Values (Maximum values allowed in the event of a failure) | | | | |
| Case Temperature | T_S | 150 | 175 | °C |
| Input Current [2] | $I_{S,INPUT}$ | 150 | 230 | mA |
| Output Power [2] | $P_{S,OUTPUT}$ | 600 | 600 | mW |
| Insulation Resistance at $T_S, V_{IO} = 500$ V | R_S | 109 | 109 | Ω |

Notes:

- Insulation characteristics are guaranteed only within the safety maximum ratings, which must be ensured by protective circuits within the application.
- Safety-limiting parameters are dependent on case temperature. The Input Current, $I_{S,INPUT}$ derates linearly above 25°C free-air case temperature at a rate of 1.2 mA/°C and 1.53 mA/°C for HCPL-0370 and HCPL-3700/3760 respectively; the Output Power, $P_{S,OUTPUT}$ derates linearly above 25°C free-air case temperature at a rate of 4.8 mW/°C and 4 mW/°C for HCPL-0370 and HCPL-3700/3760 respectively.

Absolute Maximum Ratings (No derating required up to 70°C)

| Parameter | Symbol | Min. | Max. | Units | Note |
|-----------------------------------|--------------------------------------|----------|------|-------|------|
| Storage Temperature | T_S | -55 | 125 | °C | |
| Operating Temperature | T_A | -40 | 85 | °C | |
| Lead Soldering Cycle | Temperature | | 260 | °C | 1 |
| | Time | | 10 | s | |
| Input Current | Average | | 50 | | 2 |
| | Surge | I_{IN} | 140 | mA | 2, 3 |
| | Transient | | 500 | | |
| Input Voltage (Pins 2-3) | V_{IN} | -0.5 | | V | |
| Input Power Dissipation | HCPL-3700/3760 | P_{IN} | 230 | mW | 4 |
| | HCPL-0370 | | 172 | | |
| Total Package Power Dissipation | HCPL-3700/3760 | P_T | 305 | mW | 5 |
| | HCPL-0370 | | 275 | | |
| Output Power Dissipation | HCPL-3700/3760 | P_O | 210 | mW | 6 |
| | HCPL-0370 | | 103 | | |
| Output Current | Average | I_O | 30 | mA | 7 |
| Supply Voltage (Pins 8-5) | V_{CC} | -0.5 | 20 | V | |
| Output Voltage (Pins 6-5) | V_O | -0.5 | 20 | V | |
| Solder Reflow Temperature Profile | See Package Outline Drawings section | | | | |

Recommended Operating Conditions

| Parameter | Symbol | Min. | Max. | Units | Note |
|-----------------------|----------|------|------|-------|------|
| Supply Voltage | V_{CC} | 2 | 18 | V | |
| Operating Temperature | T_A | 0 | 70 | °C | |
| Operating Frequency | f | 0 | 4 | kHz | 8 |

Electrical Specifications

Over Recommended Temperature $T_A = 0^\circ\text{C}$ to 70°C , Unless Otherwise Specified.

| Parameter | Sym. | Device | Min. | Typ. ^[9] | Max. | Units | Conditions | Fig. | Note | |
|------------------------------|----------------|----------------|-----------|---------------------|------|---------------|---|------|--------|--|
| Input Threshold Current | I_{TH+} | HCPL-0370/3700 | 1.96 | 2.5 | 3.11 | mA | $V_{IN} = V_{TH+}; V_{CC} = 4.5\text{ V}; V_O = 0.4\text{ V}; I_O \geq 4.2\text{ mA}$ | 2, 3 | 14 | |
| | | HCPL-3760 | 0.87 | 1.2 | 1.56 | | | | | |
| | I_{TH-} | HCPL-0370/3700 | 1.00 | 1.3 | 1.62 | | $V_{IN} = V_{TH-}; V_{CC} = 4.5\text{ V}; V_O = 2.4\text{ V}; I_{OH} \leq 100\text{ }\mu\text{A}$ | | | |
| | | HCPL-3760 | 0.43 | 0.6 | 0.80 | | | | | |
| Input Threshold Voltage | DC (Pins 2, 3) | V_{TH+} | 3.35 | 3.7 | 4.05 | V | $V_{IN} = V_2 - V_3$; Pins 1 & 4 Open $V_{CC} = 4.5\text{ V}; V_O = 0.4\text{ V}; I_O \geq 4.2\text{ mA}$ | | | |
| | | | V_{TH-} | 2.01 | 2.6 | | | | | 2.86 |
| | AC (Pins 1, 4) | V_{TH+} | 4.23 | 4.9 | 5.50 | V | $V_{IN} = V_1 - V_4 $; Pins 2 & 3 Open $V_{CC} = 4.5\text{ V}; V_O = 0.4\text{ V}; I_O \geq 4.2\text{ mA}$ | | 14, 15 | |
| | | | V_{TH-} | 2.87 | 3.7 | | | | | 4.20 |
| Hysteresis | I_{HYS} | HCPL-0370/3700 | | 1.2 | | mA | $I_{HYS} = I_{TH+} - I_{TH-}$ | 2 | | |
| | | HCPL-3760 | | 0.6 | | | | | | |
| | V_{HYS} | | | 1.2 | | V | $V_{HYS} = V_{TH+} - V_{TH-}$ | | | |
| Input Clamp Voltage | V_{IHC1} | | 5.4 | 6.0 | 6.6 | V | $V_{IHC1} = V_2 - V_3; V_3 = \text{GND}; I_{IN} = 10\text{ mA};$ Pins 1 & 4 Connected to Pin 3 | 1 | | |
| | | V_{IHC2} | 6.1 | 6.7 | 7.3 | | | | | $V_{IHC2} = V_1 - V_4 $; $ I_{IN} = 10\text{ mA};$ Pins 2 & 3 Open |
| | | V_{IHC3} | | 12.0 | 13.4 | | | | | $V_{IHC3} = V_2 - V_3; V_3 = \text{GND}; I_{IN} = 15\text{ mA};$ Pins 1 & 4 Open |
| | | V_{ILC} | | -0.76 | | | | | | $V_{ILC} = V_2 - V_3; V_3 = \text{GND}; I_{IN} = -10\text{ mA}$ |
| Input Current | I_{IN} | HCPL-0370/3700 | 3.0 | 3.7 | 4.4 | mA | $V_{IN} = V_2 - V_3 = 5.0\text{ V}$ Pins 1 & 4 Open | 5 | | |
| | | HCPL-3760 | 1.5 | 1.8 | 2.2 | | | | | |
| Bridge Diode Forward Voltage | $V_{D1,2}$ | HCPL-0370/3700 | | 0.59 | | V | $I_{IN} = 3\text{ mA}$ | | | |
| | | HCPL-3760 | | 0.51 | | | | | | $I_{IN} = 1.5\text{ mA}$ |
| | $V_{D3,4}$ | HCPL-0370/3700 | | 0.74 | | | $I_{IN} = 3\text{ mA}$ | | | |
| | | HCPL-3760 | | 0.71 | | | | | | $I_{IN} = 1.5\text{ mA}$ |
| Logic Low Output Voltage | V_{OL} | | | 0.1 | 0.4 | V | $V_{CC} = 4.5\text{ V}; I_{OL} = 4.2\text{ mA}$ | 5 | 14 | |
| Logic High Output Current | I_{OH} | | | | 100 | μA | $V_{OH} = V_{CC} = 18\text{ V}$ | | 14 | |
| Logic Low Supply Current | I_{CCL} | HCPL-0370/3700 | | 1.2 | 4 | mA | $V_2 - V_3 = 5.0\text{ V}; V_O = \text{Open}; V_{CC} = 5.0\text{ V}$ | 6 | | |
| | | HCPL-3760 | | 0.7 | 3 | | | | | |
| Logic High Supply Current | I_{CCH} | | | 0.002 | 4 | μA | $V_{CC} = 18\text{ V}; V_O = \text{Open}$ | 4 | 14 | |
| Input Capacitance | C_{IN} | | | 50 | | pF | $f = 1\text{ MHz}; V_{IN} = 0\text{ V},$ Pins 2 & 3, Pins 1 & 4 Open | | | |

Switching Specifications

$T_A = 25^\circ\text{C}$, $V_{CC} = 5.0\text{ V}$, Unless Otherwise Specified.

| Parameter | Sym. | Device | Min. | Typ. | Max. | Units | Test Conditions | Fig. | Note |
|---|-----------|-----------------------------|------|------|------|------------------------|--|-------|--------|
| Propagation Delay Time to Logic Low at Output | t_{PHL} | HCPL-0370/3700 | | 4.0 | 15.0 | μs | $R_L = 4.7\text{ k}\Omega$, $C_L = 30\text{ pF}$ | 7, 10 | |
| | | HCPL-3760 | | 4.5 | | | | | |
| Propagation Delay Time to Logic High at Output | t_{PLH} | HCPL-0370/3700 | | 10.0 | 40.0 | μs | $R_L = 4.7\text{ k}\Omega$, $C_L = 30\text{ pF}$ | | 11 |
| | | HCPL-3760 | | 8.0 | | | | | |
| Output Rise Time (10-90%) | t_r | HCPL-0370/3700 | | 20 | | μs | $R_L = 4.7\text{ k}\Omega$, $C_L = 30\text{ pF}$ | 8 | |
| | | HCPL-3760 | | 14 | | | | | |
| Output Fall Time (90-10%) | t_f | HCPL-0370/3700 | | 0.3 | | μs | $R_L = 4.7\text{ k}\Omega$, $C_L = 30\text{ pF}$ | | |
| | | HCPL-3760 | | 0.4 | | | | | |
| Common Mode Transient Immunity at Logic High Output | $ CM_H $ | | | 4000 | | $\text{V}/\mu\text{s}$ | $I_{IN} = 0\text{ mA}$, $R_L = 4.7\text{ k}\Omega$, $V_{Omin} = 2.0\text{ V}$, $V_{CM} = 1400\text{ V}$ | 9, 11 | 12, 13 |
| Common Mode Transient Immunity at Logic Low Output | $ CM_L $ | HCPL-0370/3700 HCPL-3760 | | 600 | | $\text{V}/\mu\text{s}$ | $I_{IN} = 3.11\text{ mA}$ $R_L = 4.7\text{ k}\Omega$, $I_{IN} = 1.56\text{ mA}$ $V_{Omax} = 0.8\text{ V}$, $V_{CM} = 140\text{ V}$ | | |

Package Characteristics

Over Recommended Temperature $T_A = 0^\circ\text{C}$ to 70°C , Unless Otherwise Specified.

| Parameter | Sym. | Min. | Typ. ^[9] | Max. | Units | Conditions | Fig. | Note |
|--|-----------|------------|---------------------|------|----------------|--|------|------|
| Input-Output Momentary Withstand Voltage* | V_{ISO} | 3750 | | | V rms | RH 50%, $t = 1\text{ min}$; $T_A = 25^\circ\text{C}$ | | 16, |
| | | Option 020 | 5000 | | | | | |
| Input-Output Resistance | R_{I-O} | | 10^{12} | | Ω | $V_{I-O} = 500\text{ Vdc}$ | | 16 |
| Input-Output Capacitance | C_{I-O} | | 0.6 | | pF | $f = 1\text{ MHz}$; $V_{I-O} = 0\text{ Vdc}$ | | |

*The Input-Output Momentary Withstand Voltage is a dielectric voltage rating that should not be interpreted as an input-output continuous voltage rating. For the continuous voltage rating refer to the IEC/EN/DIN EN 60747-5-5 Insulation Characteristics Table (if applicable), your equipment level safety specification, or Avago Application Note 1074, "Optocoupler Input-Output Endurance Voltage."

Notes:

1. Measured at a point 1.6 mm below seating plane.
2. Current into/out of any single lead.
3. Surge input current duration is 3 ms at 120 Hz pulse repetition rate. Transient input current duration is 10 μ s at 120 Hz pulse repetition rate. Note that maximum input power, P_{IN} , must be observed.
4. Derate linearly above 70°C free-air temperature at a rate of 4.1 mW/°C (HCPL-3700/3760) and 3.1 mW/°C (HCPL-0370). Maximum input power dissipation of 230 mW (HCPL-3700/3760) and 172 mW (HCPL-0370) allows an input IC junction temperature of 125°C at an ambient temperature of $T_A = 70^\circ\text{C}$. Excessive P_{IN} and T_J may result in IC chip degradation.
5. Derate linearly above 70°C free-air temperature at a rate of 5.4 mW/°C (HCPL-3700/3760) and 5 mW/°C (HCPL-0370).
6. Derate linearly above 70°C free-air temperature at a rate of 3.9 mW/°C (HCPL-3700/3760) and 1.9 mW/°C (HCPL-0370). Maximum output power dissipation of 210 mW (HCPL-3700/3760) and 103 mW (HCPL-0370) allows an output IC junction temperature of 125°C at an ambient temperature of $T_A = 70^\circ\text{C}$.
7. Derate linearly above 70°C free-air temperature at a rate of 0.6 mA/°C.
8. Maximum operating frequency is defined when output waveform Pin 6 obtains only 90% of V_{CC} with $R_L = 4.7\text{ k}\Omega$, $C_L = 30\text{ pF}$ using a 5 V square wave input signal.
9. All typical values are at $T_A = 25^\circ\text{C}$, $V_{CC} = 5.0\text{ V}$ unless otherwise stated.
10. The t_{PHL} propagation delay is measured from the 2.5 V level of the leading edge of a 5.0 V input pulse (1 μ s rise time) to the 1.5 V level on the leading edge of the output pulse (see Figure 10).
11. The t_{PLH} propagation delay is measured from the 2.5 V level of the trailing edge of a 5.0 V input pulse (1 μ s fall time) to the 1.5 V level on the trailing edge of the output pulse (see Figure 10).
12. Common mode transient immunity in Logic High level is the maximum tolerable (positive) dV_{CM}/dt on the leading edge of the common mode pulse, V_{CM} , to insure that the output will remain in a Logic High state (i.e., $V_O > 2.0\text{ V}$). Common mode transient immunity in Logic Low level is the maximum tolerable (negative) dV_{CM}/dt on the trailing edge of the common mode pulse signal, V_{CM} , to insure that the output will remain in a Logic Low state (i.e., $V_O < 0.8\text{ V}$). See Figure 11.
13. In applications where dV_{CM}/dt may exceed 50,000 V/ μ s (such as static discharge), a series resistor, R_{CC} , should be included to protect the detector IC from destructively high surge currents. The recommended value for R_{CC} is 240 Ω per volt of allowable drop in V_{CC} (between Pin 8 and V_{CC}) with a minimum value of 240 Ω .
14. Logic low output level at Pin 6 occurs under the conditions of $V_{IN} \geq V_{TH+}$, as well as the range of $V_{IN} > V_{TH-}$, once V_{IN} has exceeded V_{TH+} . Logic high output level at Pin 6 occurs under the conditions of $V_{IN} < V_{TH-}$, as well as the range of $V_{IN} < V_{TH+}$, once V_{IN} has decreased below V_{TH-} .
15. AC voltage is instantaneous voltage.
16. Device considered a two terminal device: Pins 1, 2, 3, 4 connected together, and Pins 5, 6, 7, 8 connected together.
17. In accordance with UL 1577, each optocoupler is proof tested by applying an insulation test voltage $\geq 4500\text{ V rms}$ for 1 second (leakage detection current limit, $I_{FO} \leq 5\text{ }\mu\text{A}$).
18. In accordance with UL 1577, each optocoupler is proof tested by applying an insulation test voltage $\geq 6000\text{ V rms}$ for 1 second (leakage detection current limit, $I_{FO} \leq 5\text{ }\mu\text{A}$). This test is performed before the 100% production test for partial discharge (Method b) shown in the IEC/EN/DIN EN 60747-5-5 Insulation Characteristics Table.



Figure 1. Typical input characteristics, I_{IN} vs. V_{IN} (AC voltage is instantaneous value).

| Input Signal | Device | TH+ | TH- | Input Connection |
|--------------|----------------|--------|--------|-------------------|
| I_{TH} | HCPL-0370/3700 | 2.5 mA | 1.3 mA | PINS 2, 3 OR 1, 4 |
| | HCPL-3760 | 1.2 mA | 0.6 mA | |
| $V_{TH(DC)}$ | ALL | 3.7 V | 2.6 V | PINS 2, 3 |
| $V_{TH(AC)}$ | ALL | 4.9 V | 3.7 V | PINS 1, 4 |

Figure 2. Typical transfer characteristics.



Figure 3. Typical DC threshold levels vs. temperature.



Figure 4. Typical high level supply current, I_{CCH} , vs. temperature.



Figure 5. Typical input current, I_{IN} , and low level output voltage, V_{OL} , vs. temperature.



Figure 6. Typical logic low supply current vs. supply voltage.



Figure 7. Typical propagation delay vs. temperature.

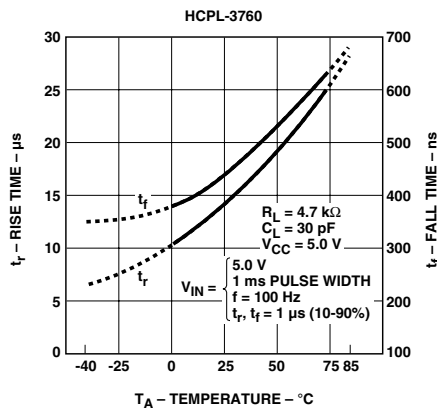
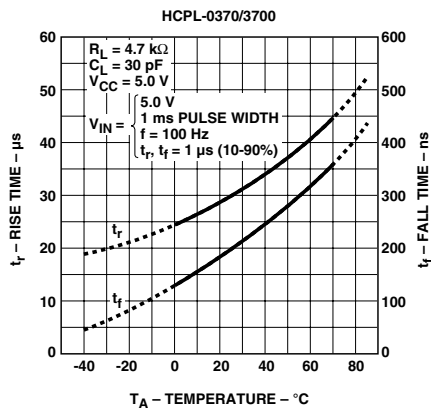


Figure 8. Typical rise, fall times vs. temperature.



Figure 9. Common mode transient immunity vs. common mode transient amplitude.

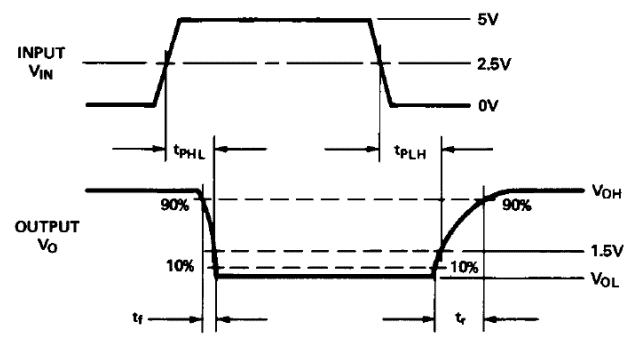
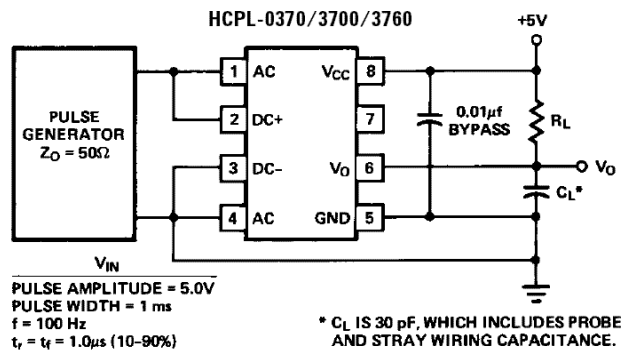


Figure 10. Switching test circuit.

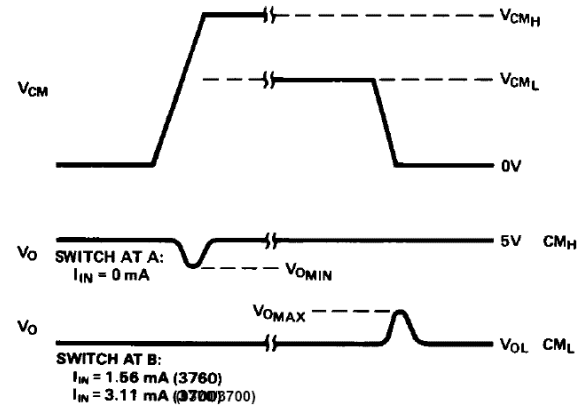
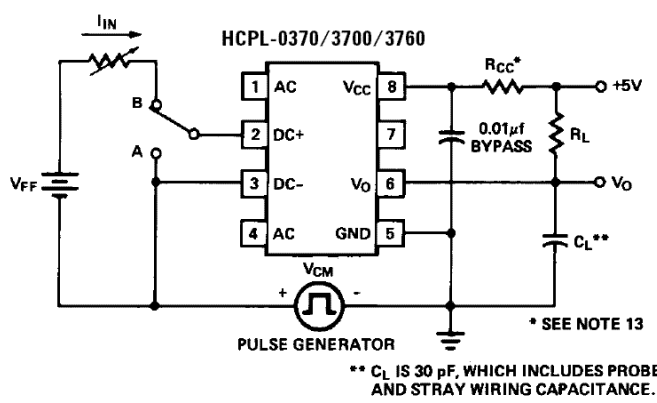


Figure 11. Test circuit for common mode transient immunity and typical waveforms.

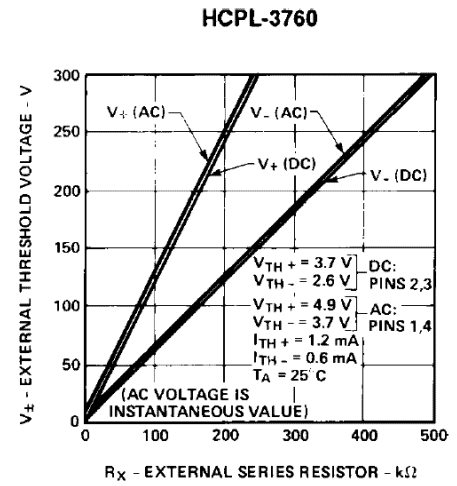
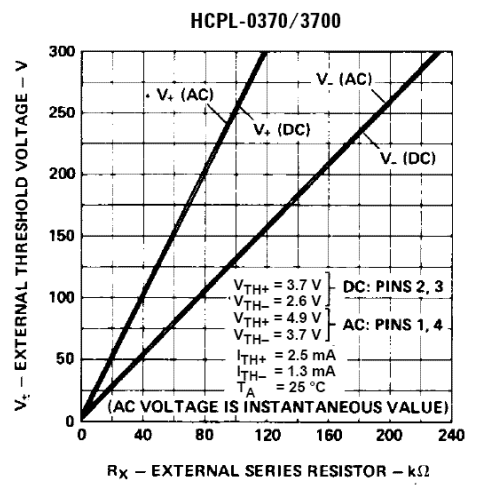


Figure 12. Typical external threshold characteristics, V_{\pm} vs. R_X .

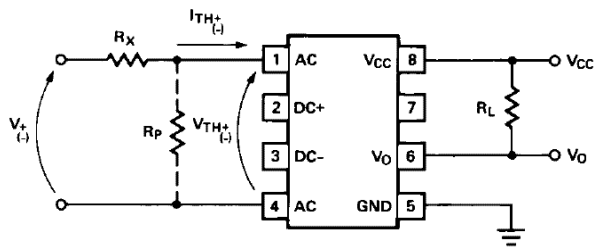


Figure 13. External threshold voltage level selection.

Electrical Considerations

The HCPL-0370/3700/3760 optocouplers have internal temperature compensated, predictable voltage and current threshold points which allow selection of an external resistor, R_X , to determine larger external threshold voltage levels. For a desired external threshold voltage, V_{\pm} , a corresponding typical value of R_X can be obtained from Figure 12. Specific calculation of R_X can be obtained from Equation (1). Specification of both V_+ and V_- voltage threshold levels simultaneously can be obtained by the use of R_X and R_P as shown in Figure 13 and determined by Equations (2) and (3).

R_X can provide over-current transient protection by limiting input current during a transient condition. For monitoring contacts of a relay or switch, the HCPL-0370/3700/3760 in combination with R_X and R_P can be used to allow a specific current to be conducted through the contacts for cleaning purposes (wetting current).

The choice of which input voltage clamp level to choose depends upon the application of this device (see Figure 1). It is recommended that the low clamp condition be used when possible.

The low clamp condition in conjunction with the low input current feature will ensure extremely low input power dissipation.

In applications where dV_{CM}/dt may be extremely large (such as static discharge), a series resistor, R_{CC} , should be connected in series with V_{CC} and Pin 8 to protect the detector IC from destructively high surge currents. See Note 13 for determination of R_{CC} . In addition, it is recommended that a ceramic disc bypass capacitor of 0.01 μF be placed between Pins 8 and 5 to reduce the effect of power supply noise.

For interfacing ac signals to TTL systems, output low pass filtering can be performed with a pullup resistor of 1.5 k Ω and 20 μF capacitor. This application requires a Schmitt trigger gate to avoid slow rise time chatter problems. For ac input applications, a filter capacitor can be placed across the dc input terminals for either signal or transient filtering.

Either ac (Pins 1, 4) or dc (Pins 2, 3) input can be used to determine external threshold levels.

For one specifically selected external threshold voltage level V_+ or V_- , R_X can be determined without use of R_P via

$$R_X = \frac{V_{\pm} - V_{TH\pm}}{I_{TH\pm}} \quad (1)$$

For two specifically selected external threshold voltage levels, V_+ and V_- , the use of R_X and R_P will permit this selection via equations (2), (3) provided the following conditions are met. If the denominator of equation (2) is positive, then

$$\frac{V_+}{V_-} \geq \frac{V_{TH+}}{V_{TH-}} \quad \text{and} \quad \frac{V_+ - V_{TH+}}{V_- - V_{TH-}} < \frac{I_{TH+}}{I_{TH-}}$$

Conversely, if the denominator of equation (2) is negative, then

$$\frac{V_+}{V_-} \leq \frac{V_{TH+}}{V_{TH-}} \quad \text{and} \quad \frac{V_+ - V_{TH+}}{V_- - V_{TH-}} > \frac{I_{TH+}}{I_{TH-}}$$

$$R_X = \frac{V_{TH-} (V_+) - V_{TH+} (V_-)}{I_{TH+} (V_{TH-}) - I_{TH-} (V_{TH+})} \quad (2)$$

$$R_P = \frac{V_{TH-} (V_+) - V_{TH+} (V_-)}{I_{TH+} (V_- - V_{TH-}) + I_{TH-} (V_{TH+} - V_+)} \quad (3)$$

For product information and a complete list of distributors, please go to our website: www.avagotech.com

Avago, Avago Technologies, and the A logo are trademarks of Avago Technologies in the United States and other countries. Data subject to change. Copyright © 2005-2009 Avago Technologies. All rights reserved. Obsoletes AV01-0542EN AV02-2107EN - September 2, 2009

AVAGO
TECHNOLOGIES