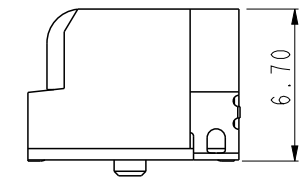
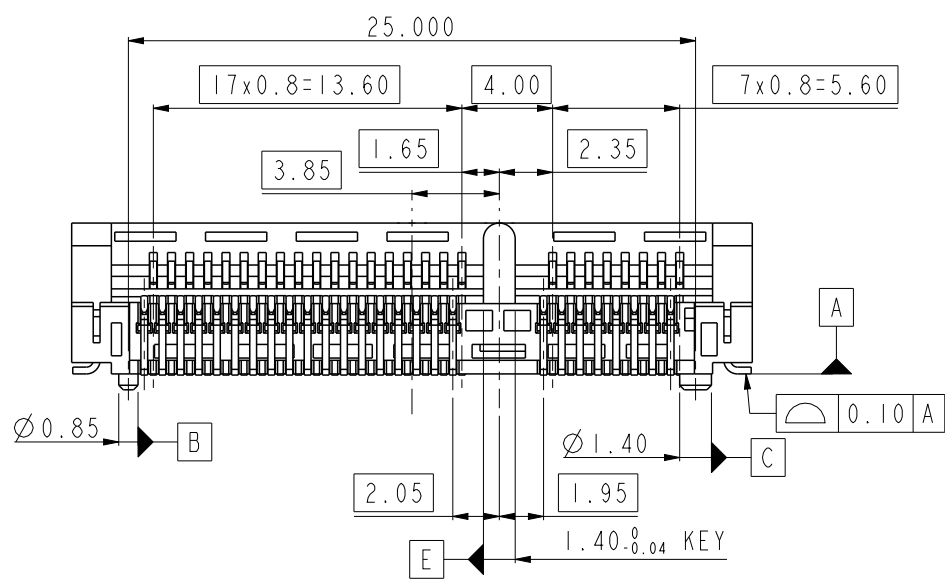
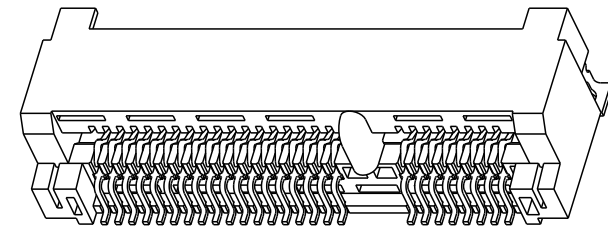
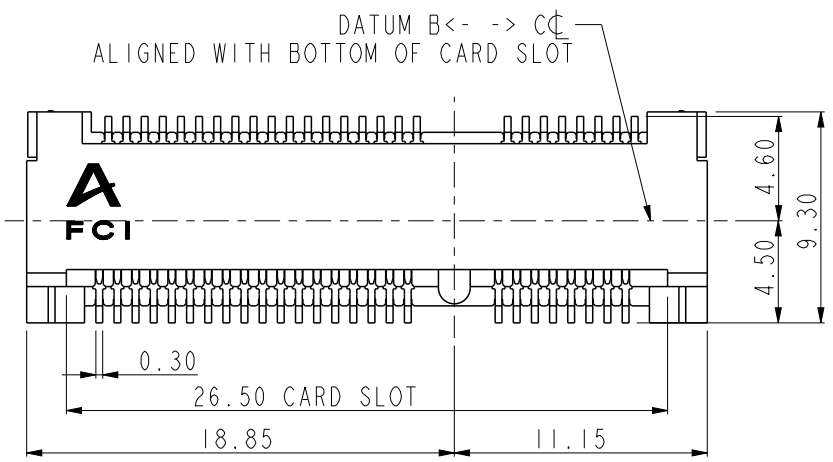




Copyright FCI.



rev	ecn no	dr	date
A	T05-0182	RC	09/13/05
B	T06-0024	RC	03/15/06
C	DG06-0204	PM	05/29/06
D	DG06-0215	PM	06/02/06
E	DG09-0364	BL	11/20/09
F	ELX-DG-011231-1	AL	2012-04-09
-	-	-	-

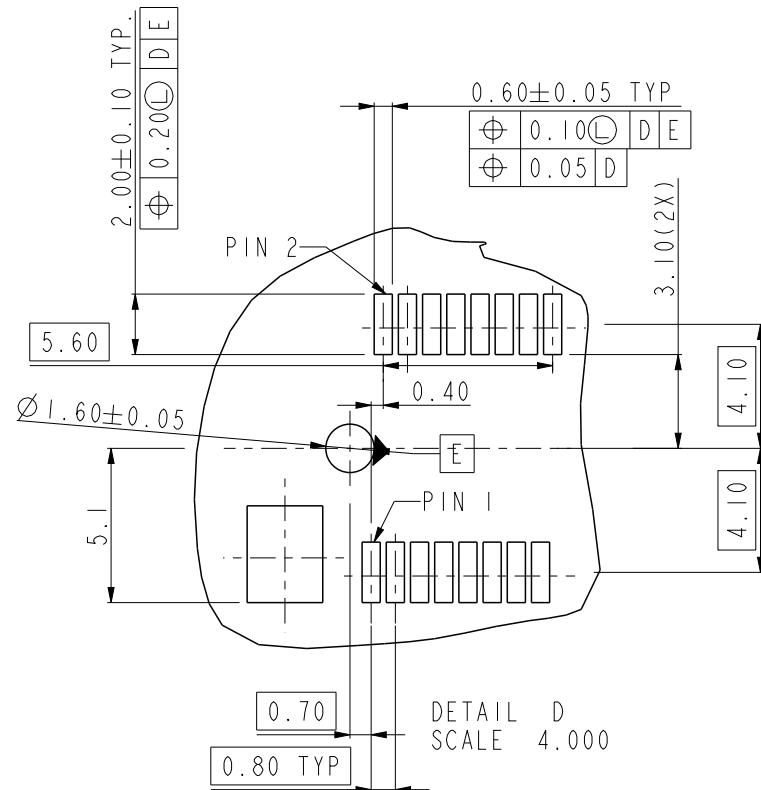
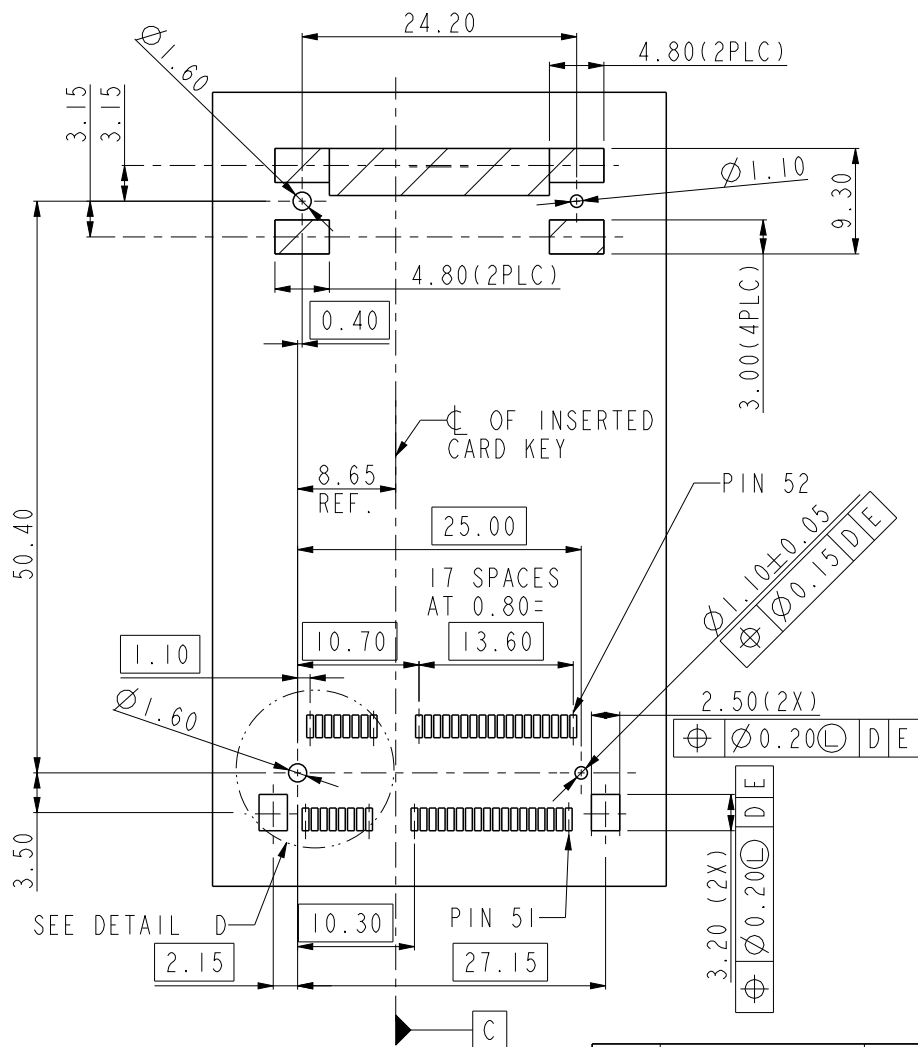
spec ref	*	dr	Pei-Ming Zheng	2006/11/01	projection 	mm 	size	A4	scale	3.000
tolerance std	ASME Y14.5	eng	Andy Lu	2012/04/08			ecn no	ELX-DG-011231-1		
TOLERANCES UNLESS OTHERWISE SPECIFIED		chr	Jian Huang	2012/04/09			rel level	Released		
surface	linear	0.X	±0.30	FCI 	title	MINI PCI EXPRESS 52P 6.7MM HEIGHT ASSEMBLY	dwg no	10054995	rev	F
		0.XX	±0.25							
		0.XXX	±0.15							
ASME Y14.5	angular	0°	±2°	www.fci.com	cat. no.	Product - Customer Drw	sheet	1 of 5		

ProjE File - REV C - 2009-06-09



Copyright FCI.

### RECOMMENDED PCB LAYOUT(SINGLE SOCKET)

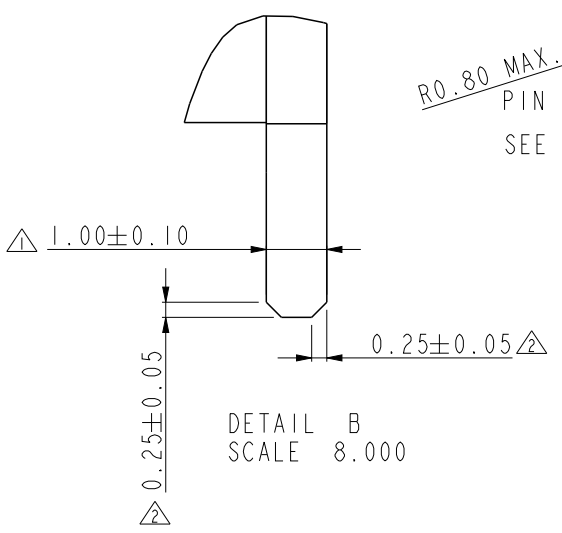
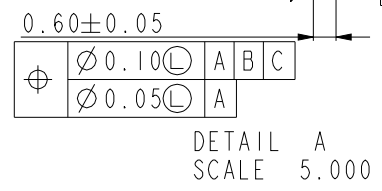
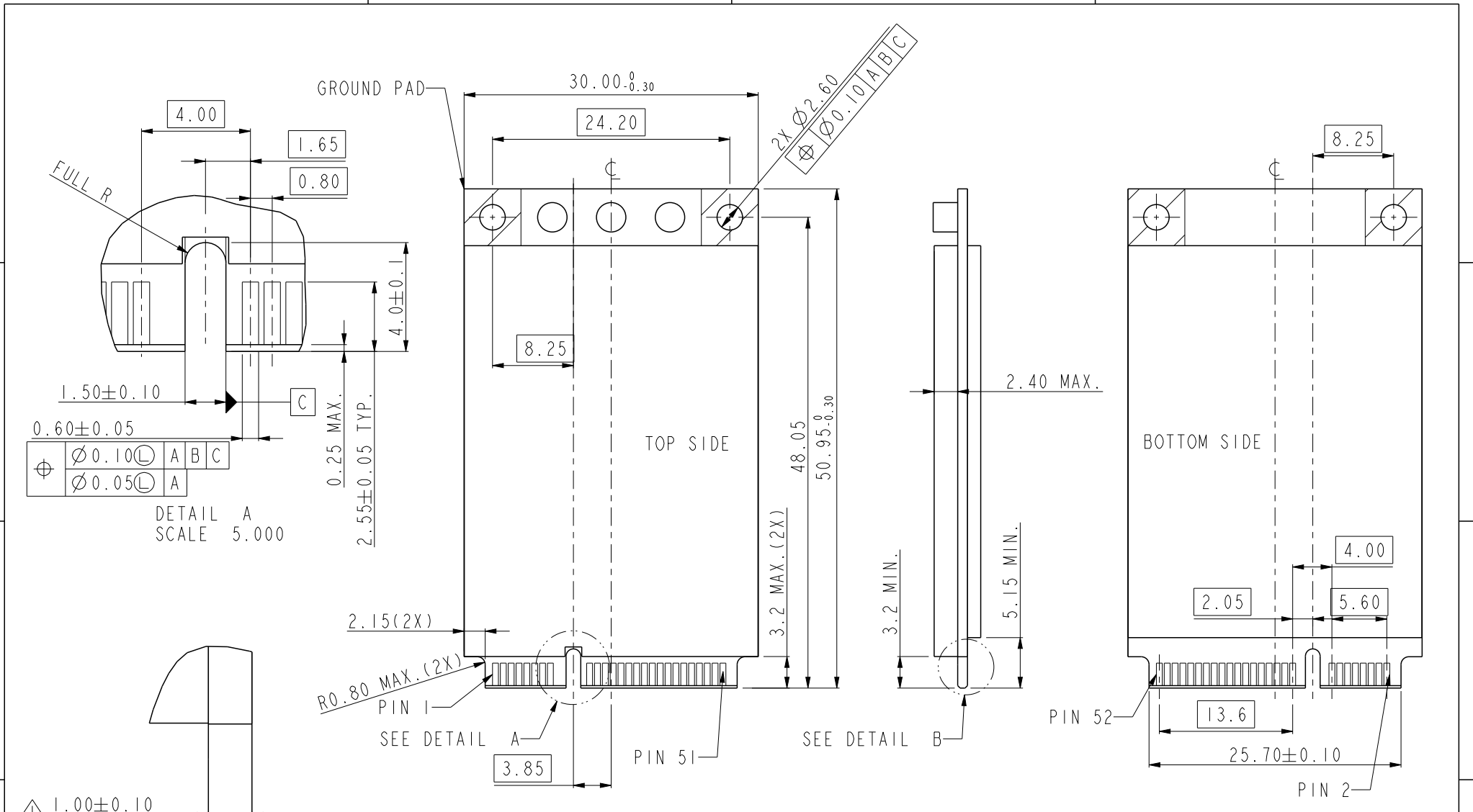


- NOTES:  
 1. DATUM D IS THE TOP SURFACE OF PCB.  
 2. THE HORIZONTAL AXIS FOR THE PATTERN IS ESTABLISHED BY A LINE THROUGH THE CENTER OF THE  $\varnothing 1.60$  AND  $\varnothing 1.10$  HOLES. THE VERTICAL AXIS IS  $90^\circ$  TO THE HORIZONTAL AXIS, THROUGH THE CENTER OF DATUM E.  
 3. LOCATION OF INSERTED CARD EDGE IS ALIGNED WITH  $\varnothing$  OF HOLES.

dr	Pei-Ming Zheng	2006/11/01	projection 	mm 	size	A4	scale	1.500
eng	Andy Lu	2012/04/08			ecn no	ELX-DG-011231-1		
chr	Jian Huang	2012/04/09			rel level	<b>Released</b>		
appr	Pei-Ming Zheng	2012/04/09	product family				rev	
		title			MINI PCI EXPRESS 52P		dwg no	
www.fci.com		cat. no.			Product - Customer Drw		10054995	
							F	
							sheet 2 of 5	



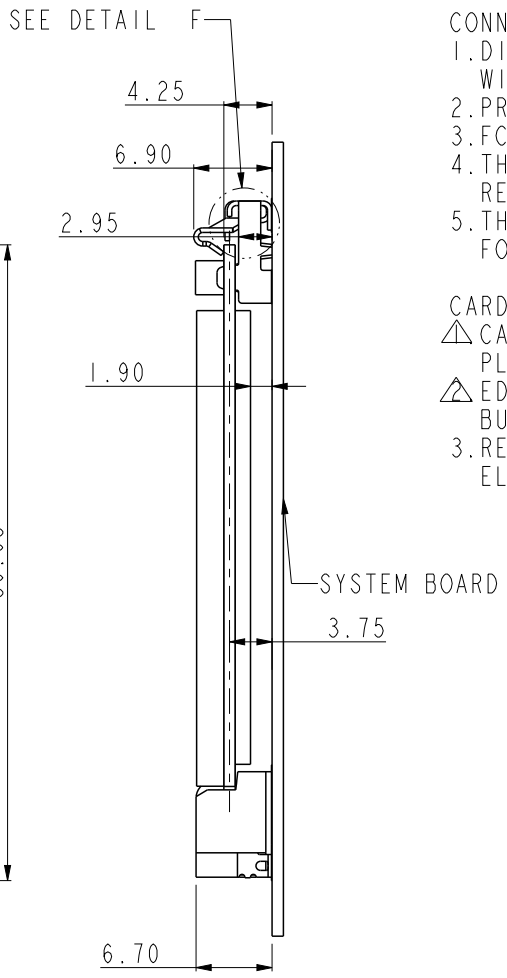
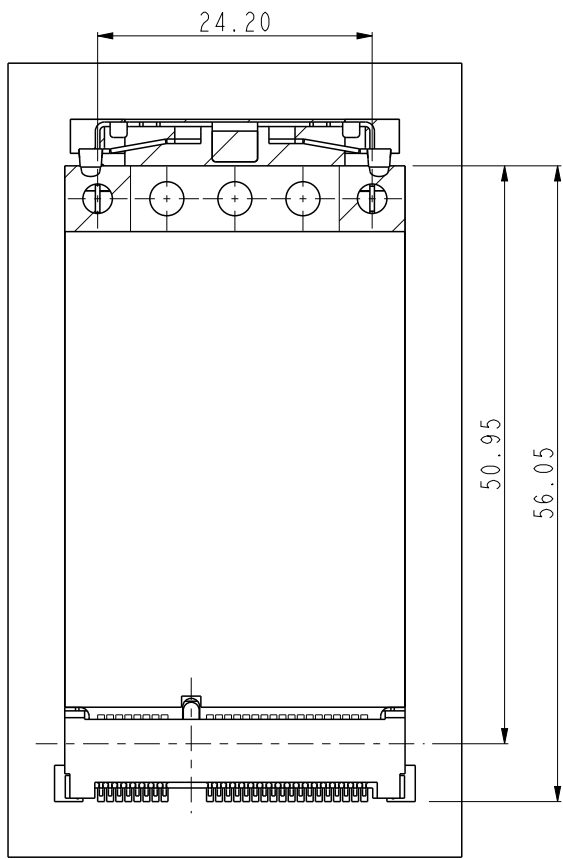
Copyright FCI.



dr	Pei-Ming Zheng	2006/11/01	projection 	mm ←→	size	A4	scale	2.000
eng	Andy Lu	2012/04/08			ecn no	ELX-DG-011231-1		
chr	Jian Huang	2012/04/09			rel level	Released		
appr	Pei-Ming Zheng	2012/04/09	product family		rev		F	
		title			dwg no		rev	
www.fci.com		MINI PCI EXPRESS 52P			10054995		F	
cat. no.		Product - Customer Drw			sheet 3 of 5			

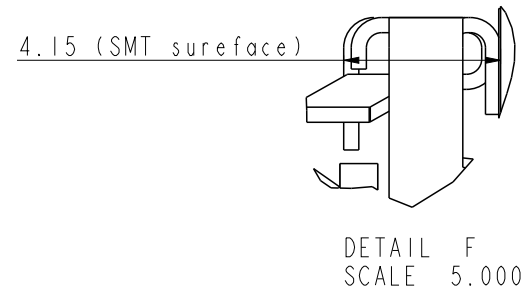


Copyright FCI.



CONNECTOR NOTES:  
 1. DIMENSIONS AND TOLERANCE ARE IN ACCORDANCE WITH ASME Y14.5M, 1944 UNLESS OTHERWISE SPECIFIED.  
 2. PRODUCT SPECIFICATION: GS-12-236.  
 3. FCI LOGO WILL BE APPROXIMATELY LOCATED AS SHOWN ON PRINT.  
 4. THIS PRODUCT MEETS EUROPEAN UNION DIRECTIVES AND OTHER COUNTRY REGULATIONS AS DESCRIBED IN GS-22-008.  
 5. THE HOUSING WILL WITHSTAND EXPOSURE TO 260°C PEAK TEMPERATURE FOR 10 SECONDS IN A IR-REFLOW APPLICATION.

CARD NOTES:  
 ▲ CARD THICKNESS APPLIES ACROSS TABS AND INCLUDES PLATING AND /OR METALIZATION.  
 ▲ EDGE BEVEL MUST BE PRESENT AND FREE OF CUTING BURRS FROM PCB AND CONTACT METATERIALS.  
 3. RECOMMENDED PLATING FOR CONTACT PADS ELECTROLYTIC GOLD 0.76um.



dr	Pei-Ming Zheng	2006/11/01	projection 	mm 	size	A4	scale	1.500
eng	Andy Lu	2012/04/08			ecn no	ELX-DG-011231-1		
chr	Jian Huang	2012/04/09			rel level	Released		
appr	Pei-Ming Zheng	2012/04/09	product family		rev		F	
		title			dwg no		rev	
www.fci.com		cat. no.			10054995		F	
				Product - Customer Drw		sheet 4 of 5		

A

B

C

D

A

B

C

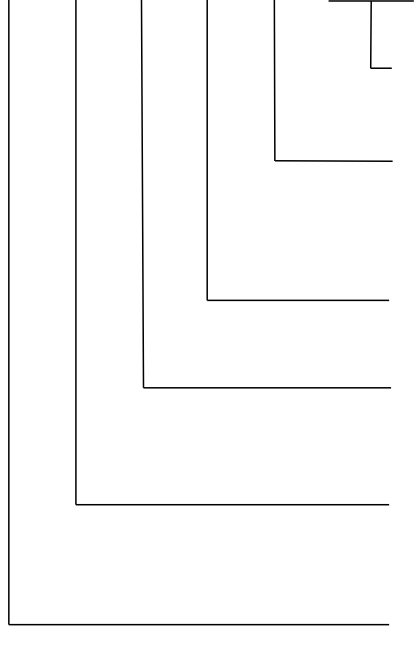
D

PRODUCT NO.	HOLD DOWN PLATING	TERMINAL CONTACT POINT FINISH	SOLDER TAIL PLATING			
10054995-0010LF	PURE Sn (Bright Tin)	Gold flash (0.038 um) MIN.	PURE Sn (Matte Tin) PLATING			
10054995-0210LF	PURE Sn (Matte Tin)					
10054995-0110	Sn-Pb (Bright)					
10054995-0020LF	PURE Sn (Bright Tin)	Au 15 u" (0.38 um) MIN.				
10054995-0220LF	PURE Sn (Matte Tin)					
10054995-0120	Sn-Pb (Bright)					
10054995-0030LF	PURE Sn (Bright Tin)	Au 30 u" (0.76 um) MIN.		Sn-Pb (Bright) PLATING		
10054995-0230LF	PURE Sn (Matte Tin)					
10054995-0130	Sn-Pb (Bright)					
10054995-0011	PURE Sn (Bright Tin)	Gold flash (0.038 um) MIN.			Sn-Pb (Bright) PLATING	
10054995-0111	Sn-Pb (Bright)					
10054995-0021	PURE Sn (Bright Tin)	Au 15 u" (0.38 um) MIN.	Sn-Pb (Bright) PLATING			
10054995-0121	Sn-Pb (Bright)					
10054995-0031	PURE Sn (Bright Tin)	Au 30 u" (0.76 um) MIN.				Sn-Pb (Bright) PLATING
10054995-0131	Sn-Pb (Bright)					

NOTES:

- MATERIAL:  
HOUSING: THERMOPLASTIC, HIGH TEMP,  
UL 94V-0, COLOR BLACK.  
CONTACTS: PHOSPHOR BRONZE.  
HOLD DOWN: BRASS.
- PLATING:  
CONTACT: Ni UNDER PLATING. OTHERS SEE TABLE  
HOLD DOWN: Ni UNDER PLATING. OTHERS SEE TABLE.
- "LF" CODES ARE FOR LEAD FREE OPTIONS. SEE TABLE.
- PRODUCT SPEC: GS-12-236.

10054995-□ □ □ □ □ (LF)



"LF" CODE ONLY EXISTS WHEN 2ND AND 4TH CODES ARE "0" OR "2". SEE TABLE.

Packaging Code  
Null: Tray  
R: Tape & Reel



SOLDER TAIL PLATING  
0: Pure Sn (Matte Tin).  
1: Sn-Pb (Bright).

CONTACT PLATING  
1 : Gold flash.  
2 : Au 15 u" MIN.  
3 : Au 30 u" MIN.

HOLD DOWN PLATING  
0: Pure Sn (Bright Tin).  
1: Sn-Pb (Bright).  
2: Pure Sn (Matte Tin)

(RESERVED CODE)  
0



Copyright FCI.

dr	Pei-Ming Zheng	2006/11/01	projection 	mm 	size	A4	scale	1.000	
eng	Andy Lu	2012/04/08			ecn no	ELX-DG-011231-1			
chr	Jian Huang	2012/04/09			rel level	Released			
appr	Pei-Ming Zheng	2012/04/09	product family				rev	F	
		title			MINI PCI EXPRESS 52P		dwg no		10054995
www.fci.com		cat. no.			Product - Customer Drw			sheet 5 of 5	