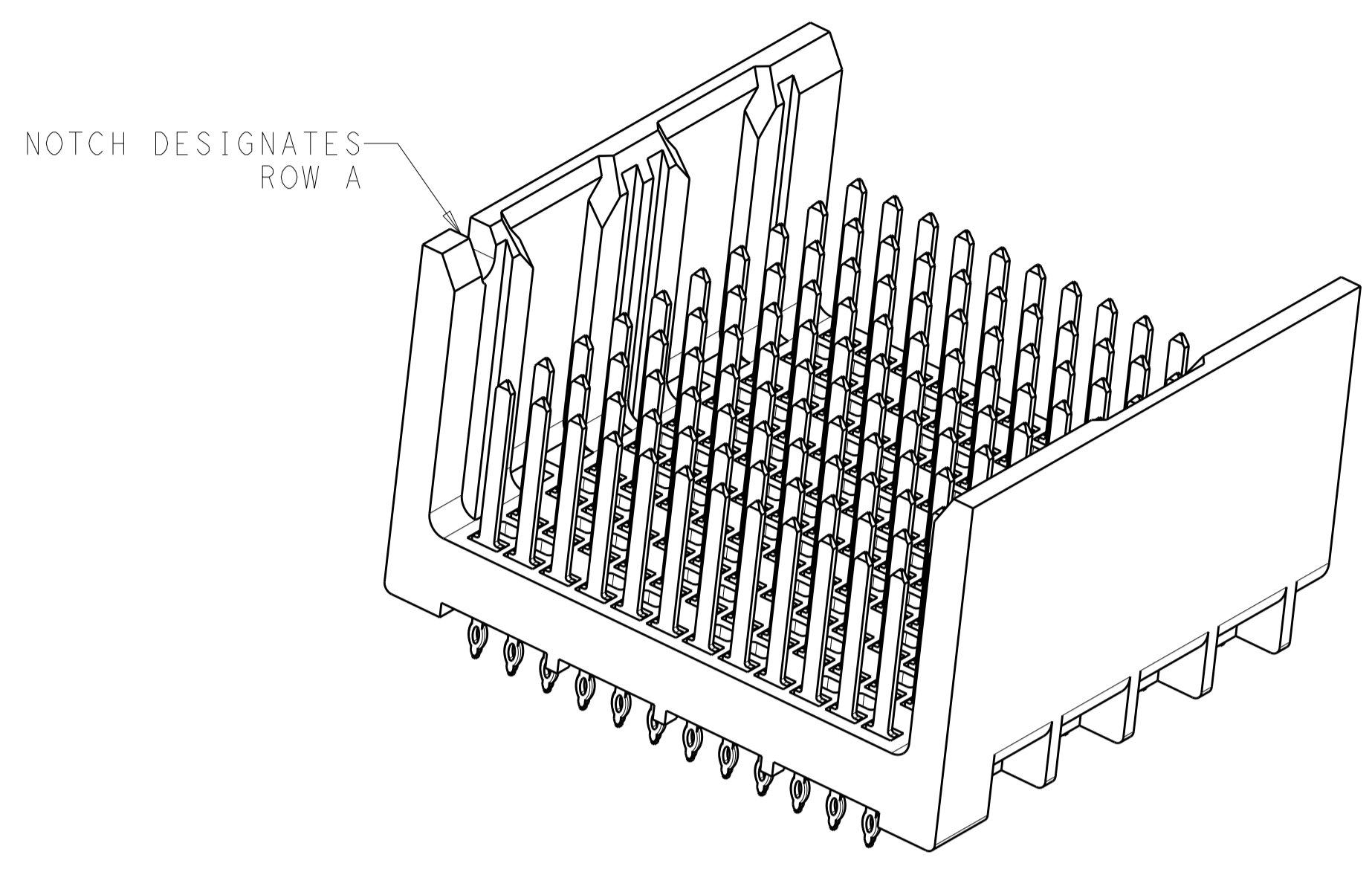
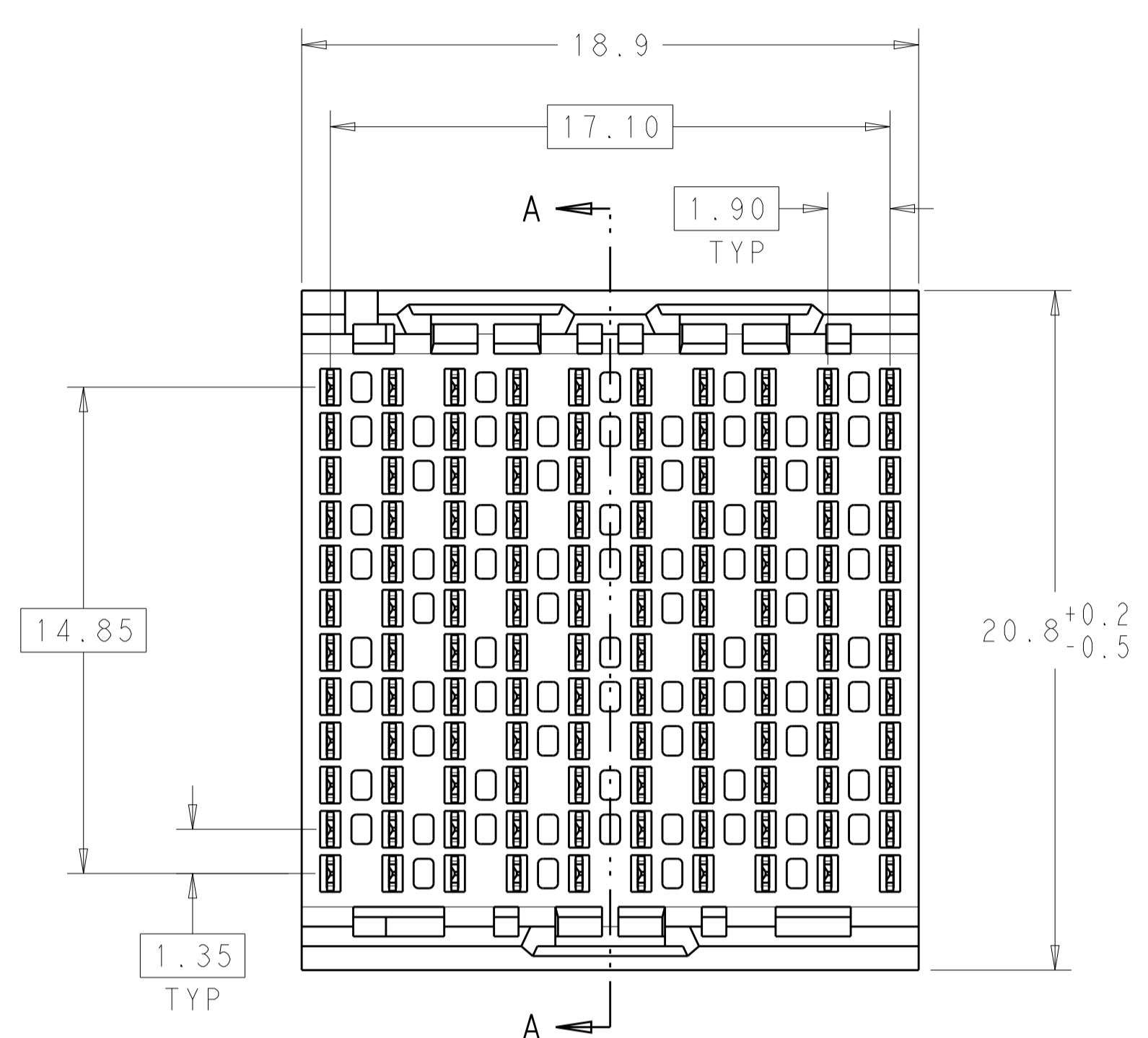
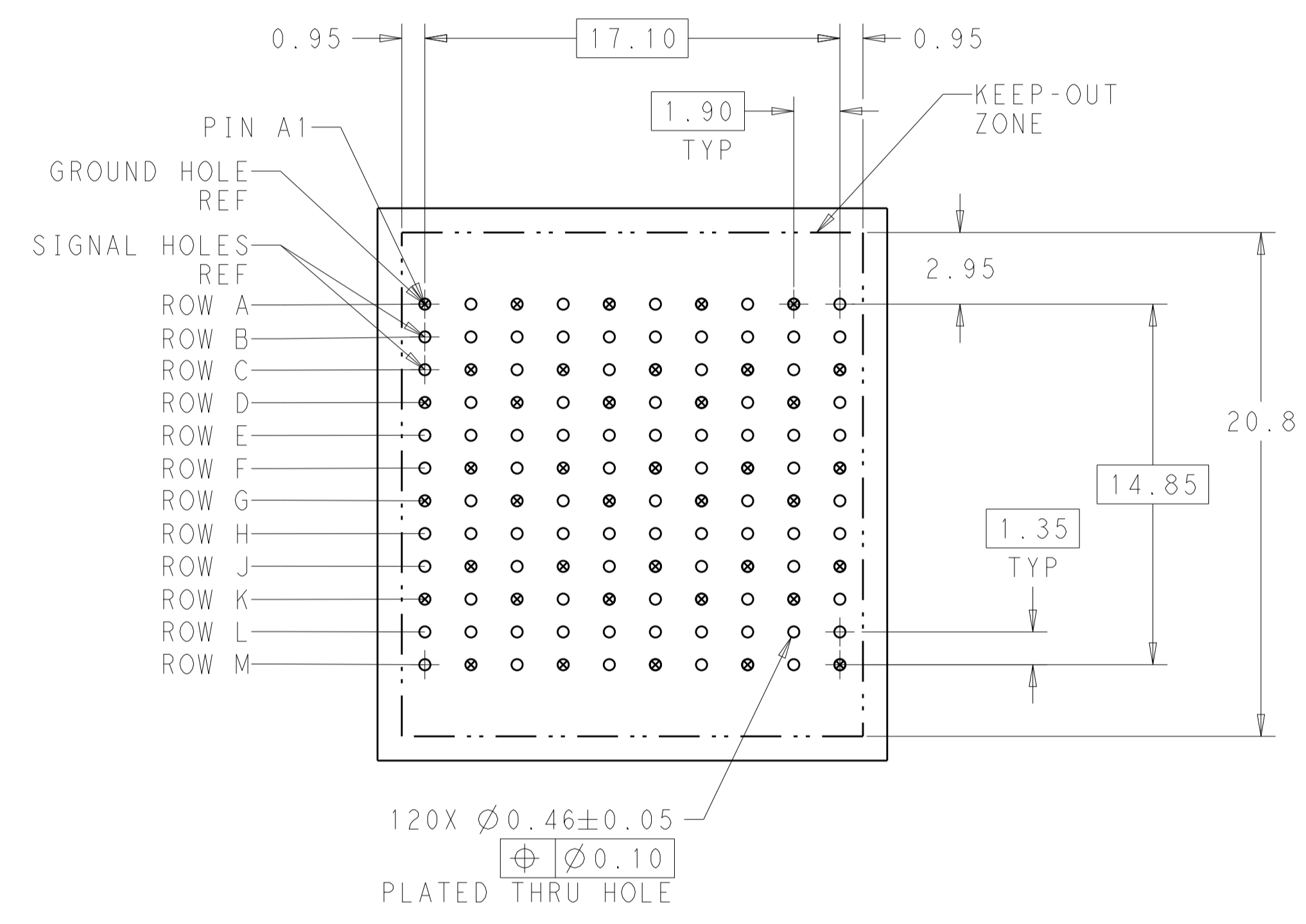


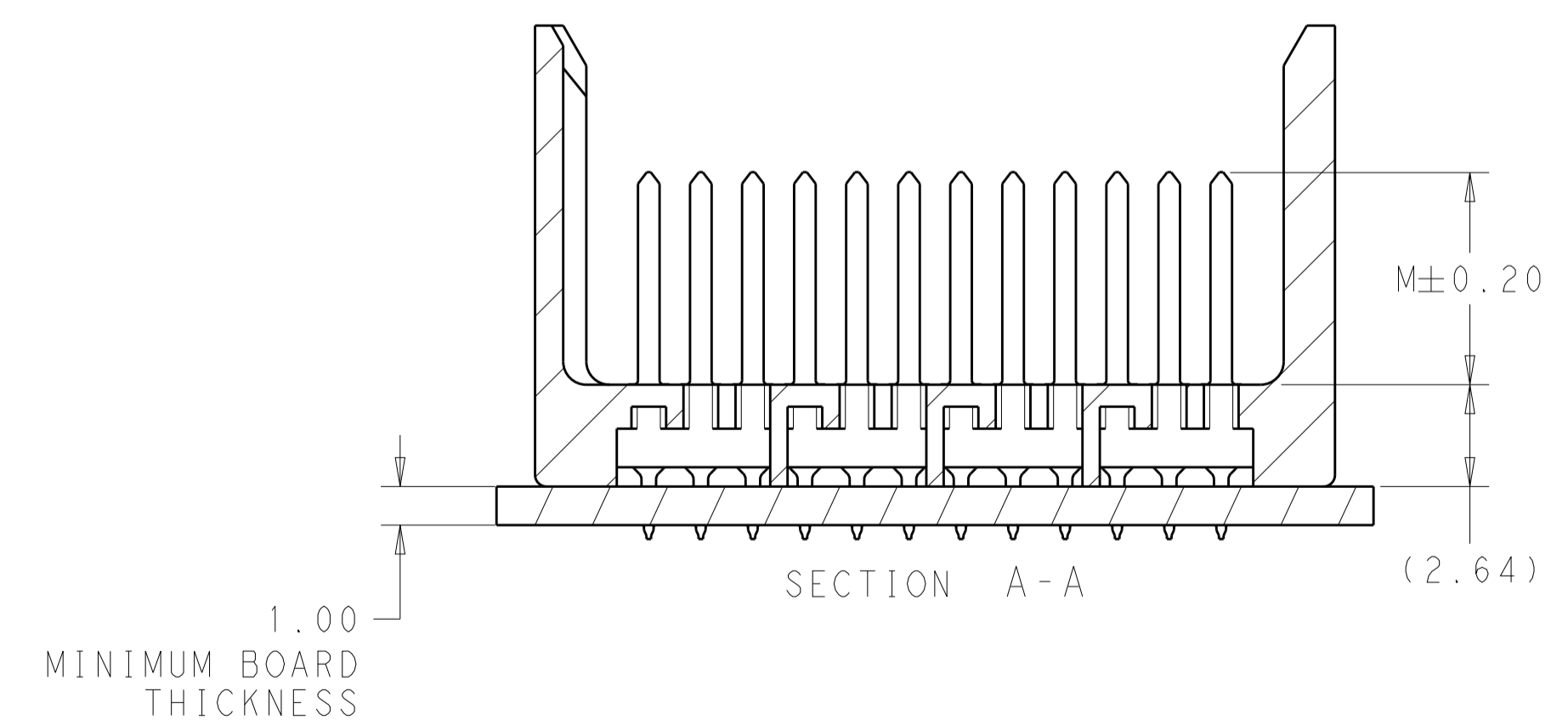
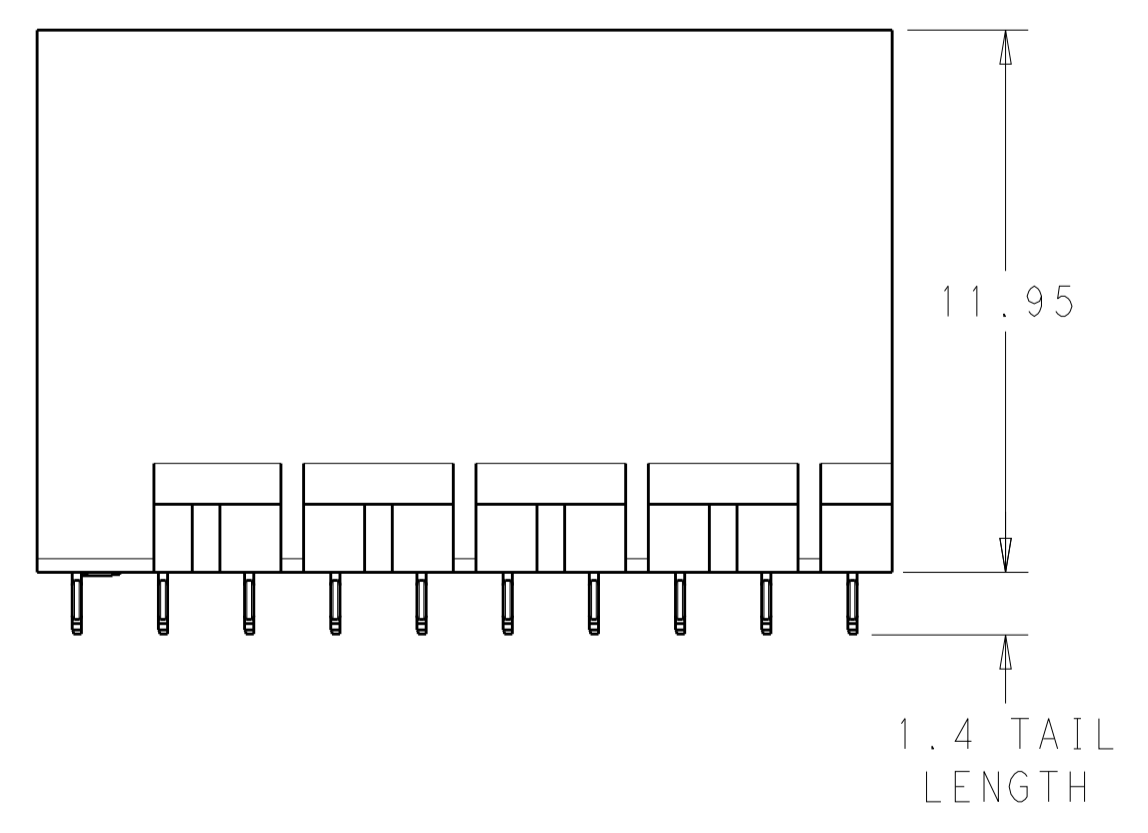
REVISIONS				
P.	LTN.	DESCRIPTION	DATE	APVD.
A1		REVISED PER ECO-15-001494	04FEB2015	AP DD



- 1 MATERIAL:
HOUSING: LCP, GLASS FILLED, UL94V-0.
TERMINALS: HIGH PERFORMANCE COPPER ALLOY.
- 2 FINISH:
30μ" MIN GOLD IN CONTACT AREA. SELECTIVE TIN ON PCB TAILS, NICKEL OVERALL.



UNGUIDED
BACKPLANE HOLE PATTERN
(CONNECTOR SIDE)



THIS DRAWING IS A CONTROLLED DOCUMENT.		DWN J. K. SHOBER 22DEC2010 CHK J. EARY 22DEC2010 APVD J. EARY 22DEC2010	TE Connectivity
DIMENSIONS: mm 	TOLERANCES UNLESS OTHERWISE SPECIFIED: 0 PLC ± 1 PLC ±0.25 2 PLC ±0.13 3 PLC ± 4 PLC ± ANGLES ± FINISH SEE TABLE	NAME PRODUCT SPEC APPLICATION SPEC WEIGHT CUSTOMER DRAWING	

THIS DRAWING IS UNPUBLISHED. RELEASED FOR PUBLICATION 20
 © COPYRIGHT 20 BY - ALL RIGHTS RESERVED.

REVISIONS					
P.	LTN	DESCRIPTION	DATE	DMN	APVD
-	-	SEE SHEET 1	-	-	-

	5.5	2007816-3
	4.9	2007816-2
	4.5	2007816-1
FINISH	DIM M	PART NUMBER

REFER TO WWW.TE.COM
FOR PRODUCT AVAILABILITY

THIS DRAWING IS A CONTROLLED DOCUMENT.		DMN J. K. SHOBER 22DEC2010	
		CHK J. EARY 22DEC2010	
DIMENSIONS:		APVD J. EARY 22DEC2010	NAME
mm	TOLERANCES UNLESS OTHERWISE SPECIFIED:	PRODUCT SPEC	IMPACT, 4 PAIR, 10 COLUMN, HEADER
	0 PLC ±	APPLICATION SPEC	UNGUIDED, OPEN END WALL
	1 PLC ±0.25		SIGNAL MODULE, 0.46 PTH
	2 PLC ±0.13		SIZE CAGE CODE DRAWING NO RESTRICTED TO
	3 PLC ±		A100779C=2007816
	4 PLC ±		SCALE 5:1 SHEET 2 OF 2 REV A1
	ANGLES ±	WEIGHT	CUSTOMER DRAWING
MATERIAL	FINISH		
-	SEE TABLE		
-			