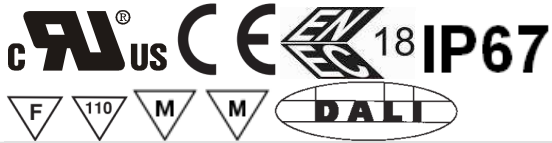




LDA100S SERIES

100W SINGLE OUTPUT

LED POWER SUPPLY



Features

- * Universal Input Range 90~305VAC
- * Built-in active PFC function
- * High efficiency up to 92%
- * 4KV surge protection
- * UL8750, EN61347, EN62384 approved
- * Harmonic meet EN61000-3-2 Class C
- * Short Circuit/Over Voltage/Over temperature Protection
- * IP67 design for indoor or outdoor installations
- * Suitable for LED Street Lighting applications
- * Dimming Function (Optional): 1-10Vdc and Resistance or DALI and Touch-dim
- * No Load Power Consumption < 0.5W (Note 8)
- * 5 Years Warranty



Ordering information

Model No. Optional type
LDA100SXXX -XX

01: Constant Current Mode (IP67)

No dimming

03: Constant Current Mode (IP67)

Dimming: 1~10Vdc and Resistance

04: Constant Current Mode (IP67)

Dimming: DALI

| MODEL | Output Voltage (No Load) | Output Current NOTE 7 | Ripple & Noise NOTE 1 | Voltage Accuracy NOTE 2 | Line Regulation NOTE 3 | Load Regulation NOTE 4 | Constant Current Region | Efficiency (Typical.) NOTE 5 |
|-------------|--------------------------|-----------------------|-----------------------|-------------------------|------------------------|------------------------|-------------------------|------------------------------|
| LDA100S142 | 142V | 0.70A | 0.5% | ±1% | ±1% | ±2% | 71~140V | 92% |
| LDA100S214 | 214V | 0.5A | 0.5% | ±1% | ±1% | ±2% | 107~211V | 92% |
| LDA100S214A | 214V | 0.35A | 0.5% | ±1% | ±1% | ±2% | 107~211V | 90% |

Specifications

INPUT SPECIFICATIONS:

| | |
|-----------------------|---|
| Voltage | 90~305VAC |
| Frequency | 47~63Hz |
| Inrush Current | Cold start@25°C 100A max. @240VAC |
| Leakage Current | 0.75mA max. |
| Power Factor | .PF>0.98/115VAC, PF>0.93/230VAC @ full load |
| Input Current | 1.2A typ. @115Vac/0.55A typ. @230Vac 0.5A typ. @277Vac |

OUTPUT SPECIFICATIONS:

| | |
|-----------------------------------|-----------------------------|
| Holdup Time | 12ms typ. @115Vac |
| Short Circuit Protection | Auto Recovery |
| Over Voltage Protection | Recycle AC input to restart |
| Over Current Limit (note6) | Constant Current mode |
| Over Temperature Protection | Yes |
| Startup time (note9) | 0.5s max. |
| Temperature Coefficient | ±0.05%/°C |

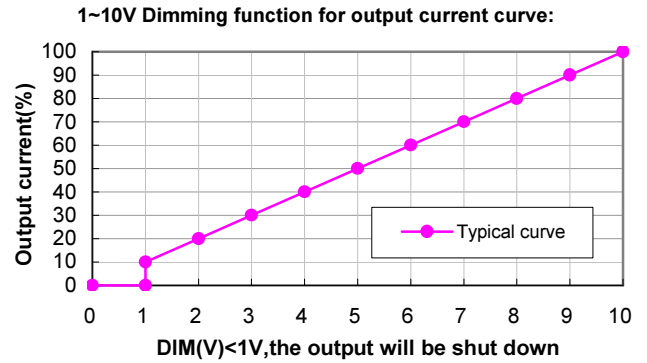
GENERAL SPECIFICATIONS:

| | |
|-----------------------------|---|
| Isolation Voltage | Input to output = 3750VAC |
| Isolation Resistance | 100MΩ min. |
| Operating Temperature | -40 ~ 70°C (see Drating Curve) |
| Storage Temperature | -40~85°C |
| Humidity | 20 ~ 95% RH Non condensing |
| Cooling | Natural Convection |
| Switching Frequency | 65kHz typ. |
| MTBF | MIL-HDBK-217F, GB, 25°C 60Khrs typ. |
| Vibration..... | 15~2000Hz 4G period for 60min,each along X Y Z axes |
| Altitude | 2000m |
| Dimensions | 210x58x35mm (8.268x2.283x1.378Inches) |
| Weight | 750g Typical |

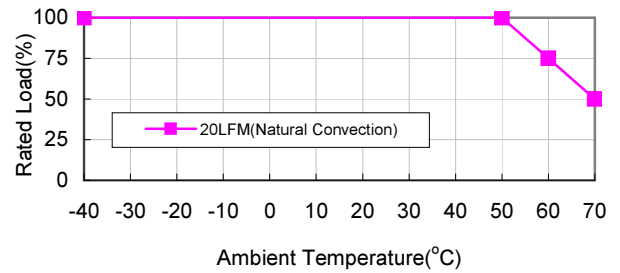
SAFETY AND EMC:

| | |
|-----------------------------|---|
| Emission and Immunity | EN61547, EN55015, CISPR22 Class B EN61000-3-2, EN61000-3-3, EN61000-4-2,3,4,5,6,8,11 |
| Harmonic Current | EN61000-3-2 Class C(>50% load) |
| Surge | 4KV |
| Safety (note10) | UL8750,EN61347-1,EN61347-2-13 EN62384 |

LDA100 Series De-rating Curve



Derating curve:

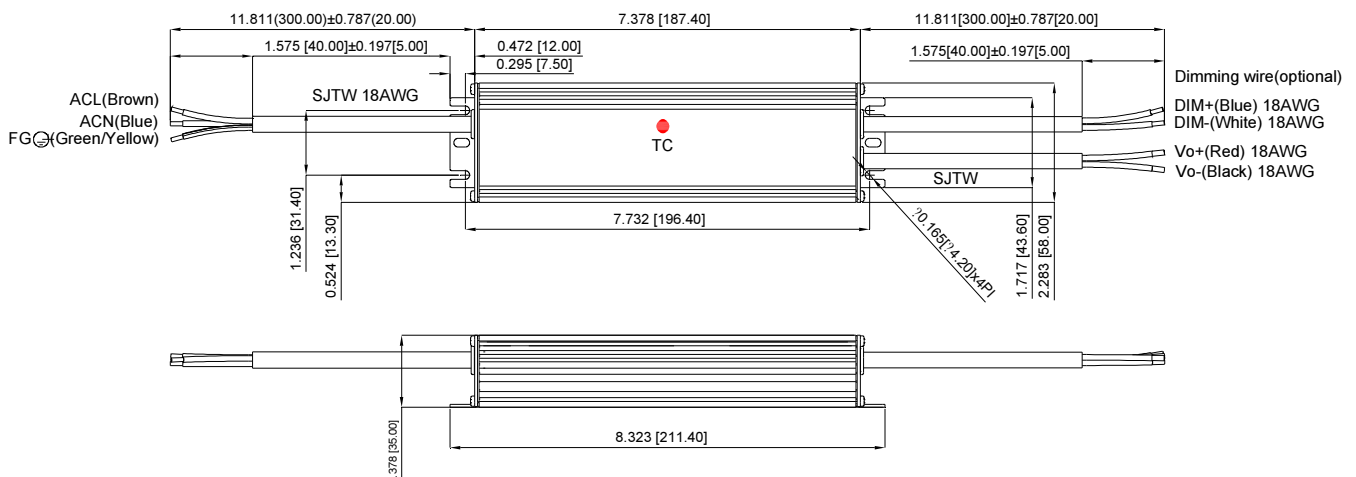


NOTE:

1. Add a 0.1uF ceramic capacitor and a 10uF E.L. capacitor to output for Ripple & Noise measuring @20MHz BW with 95% Rated current.
2. Voltage accuracy is set of 90% rated current.
3. Line regulation is measured from high line to low Line with 90% rated current.
4. Load regulation is measured from 90% to 10% Rated current.
5. Efficiency is measured 95% rated power at Vin=230VAC.
6. Less than 50% (typ.) of the rated output voltage will enter hiccup mode.
7. Output Constant Current Accuracy ±5%.
8. No load power consumption<0.5W for LDA100SXXX-01.
No load power consumption<1.5W for LDA100SXXX--03, 04.
Stand by power consumption<0.5W for LDA100SXXX-03, 04,.
9. Startup interval must be greater than 3 seconds.
10. LDA100SXXX-03 UL only.

Mechanical Specification

All Dimensions In Inches[mm]
Tolerance Inches:x.xxx ± 0.02
Millimeters:x.xx ± 0.5



Typical at 25°C, nominal line and 75% load, unless otherwise Specified