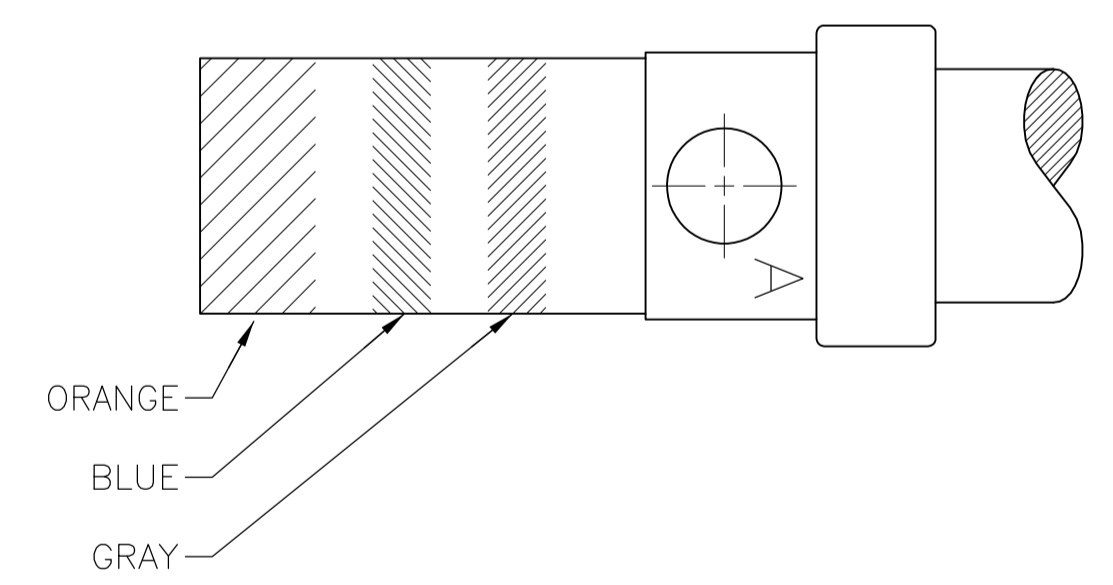
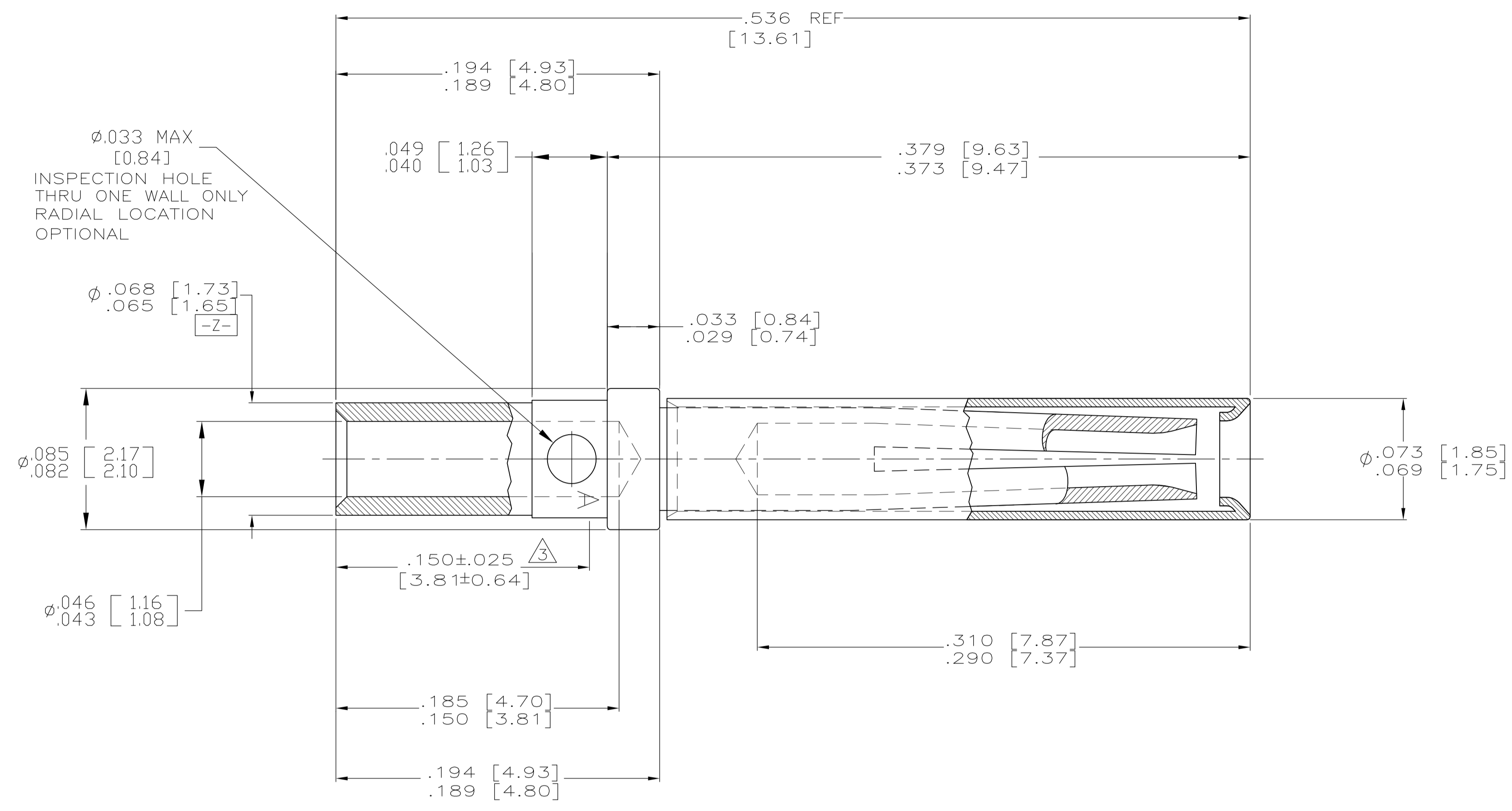
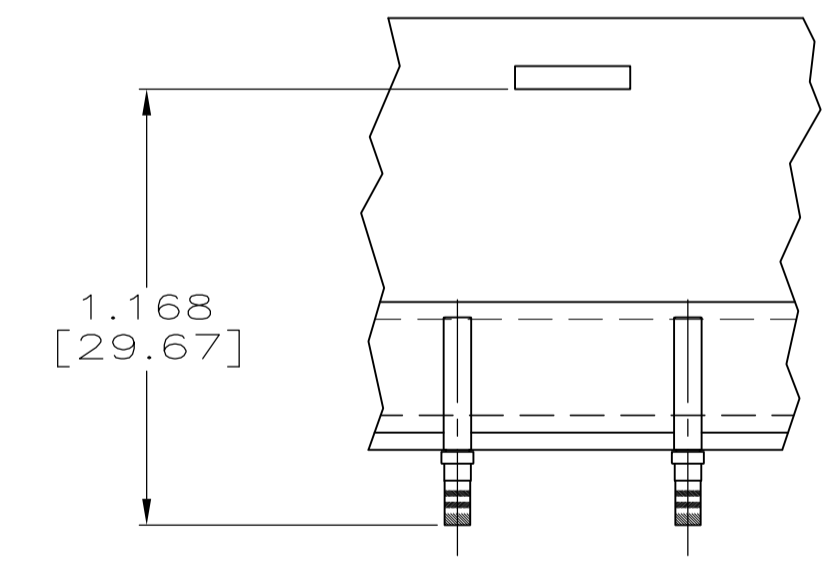


LOC		DIST		REVISIONS			
P	LTR	DESCRIPTION	DATE	DWN	APVD		
A		REV PER ECO 09-013463	6-19-09	CT	RL		



COLOR BANDS FOR 1218372-1 & -2 ONLY



TAPE MOUNTED PART NO 1218372-2 ONLY SCALE 2:1

- △ FINISH: GOLD PLATED PER MIL-G-45204, TYPE II, OVER NICKEL PER QQ-N-290.
- △ FINISH: GOLD PLATED PER MIL-G-45204, TYPE II, OVER COPPER PER MIL-C-14550, CLASS 4.
- △ POINT OF PLATING THICKNESS MEASUREMENT.
- 4. ALL DIAMETERS $\pm .004 Z$ UNLESS OTHERWISE SPECIFIED.
- 5. THIS PART COMPLIES WITH MIL-C-39029/63 AND M24308/10-1.
- 6. ALL SURFACES HAVE A63 OR BETTER FINISH, UNLESS OTHERWISE SPECIFIED.

REMARKS	FINISH	PART NUMBER
SUPERSEDED BY 205090-2	WITHOUT COLOR CODE	1218372-3
SUPERSEDED BY 205090-1	CONTACTS ON TAPE	1218372-2
	AS SHOWN	1218372-1

THIS DRAWING IS A CONTROLLED DOCUMENT.

DIMENSIONS: INCHES	TOLERANCES UNLESS OTHERWISE SPECIFIED:	DIN C.C.THOMAS 1-25-99	2-22-99	Tyco Electronics Corporation Harrisburg, PA 17105-3608
		0 PLC ± -	1 PLC ± -	
		2 PLC ± -	3 PLC ± -	Tyco Electronics #20 SOCKET CONTACT, CRIMP, AMPLIMITE
		4 PLC ± -	ANGLES ± -	
MATERIAL	FINISH	APPROVAL: R.GROSS	2-22-99	NAME: R.GROSS
		APPLICATION SPEC		PRODUCT SPEC
		WEIGHT		SIZE: A1
		CUSTOMER DRAWING	SCALE: 20:1	SHEET: 1 OF 1