

MICRO SWITCH

FREEPORT ILLINOIS, U.S.A
 A DIVISION OF HONEYWELL INC.
 FED. MFG. CODE 91929

ACTUATOR - SWITCH

CATALOG LISTING

JM-10

JM-10

M

DRAWING NUMBER

X 2

ISSUE

3

REPLACES

RELEASE NO. PR-17797

CHECK

REVISIONS

A CO69507

DAW
21 FEB 91

B CO79303

DLT
6 MAR 95

CHECK

23 OCT 89

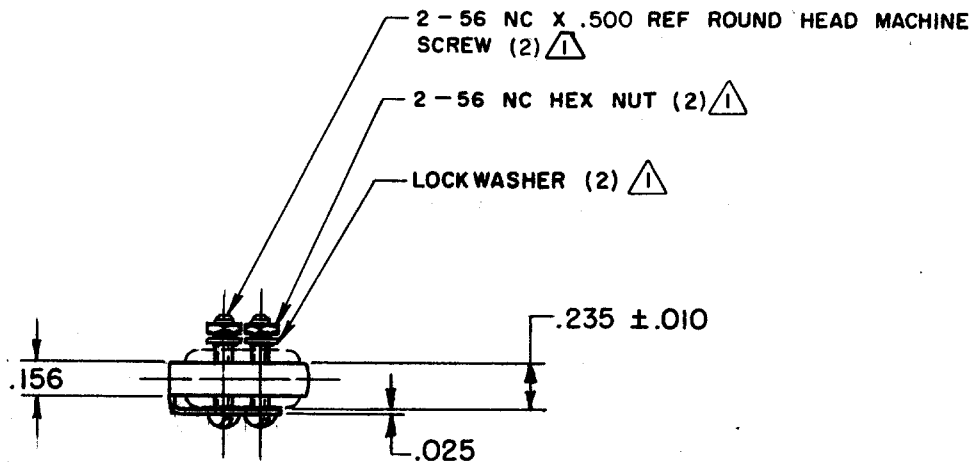
23 OCT 89

CHECK

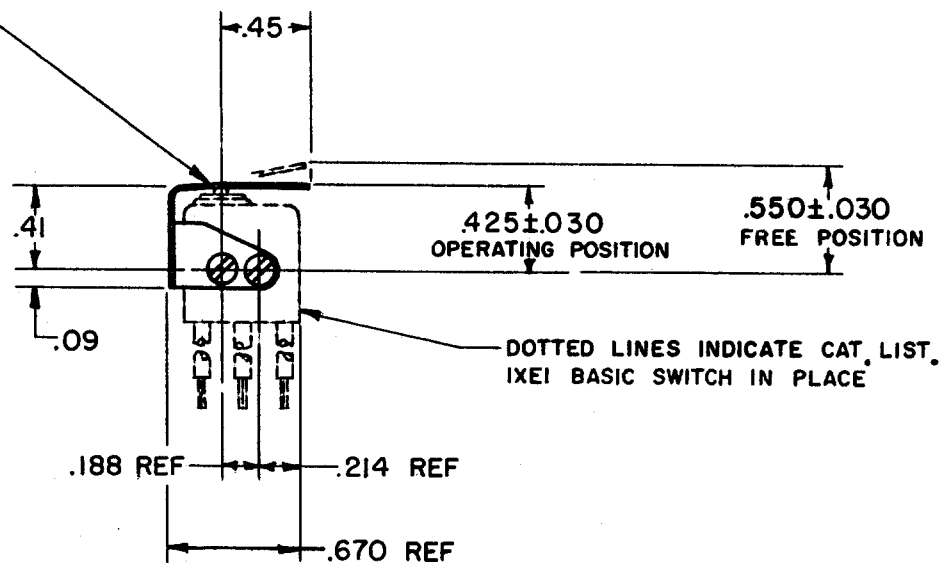
23 OCT 89

CHECK

23 OCT 89



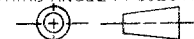
.012 THICK CORROSION RESISTANT STEEL LEAF



NOTE - \triangle FURNISHED UNASSEMBLED

THIS DRAWING COVERS A PROPRIETARY ITEM AND IS THE PROPERTY OF MICRO SWITCH, A DIVISION OF HONEYWELL. THIS DRAWING IS NOT TO BE COPIED OR USED WITHOUT THE APPROVAL OF MICRO SWITCH.

THIRD ANGLE PROJECTION



CHARACTERISTICS

OPERATING FORCE - - - - - 21 OZ MAX

RELEASE FORCE - - - - - 3 OZ MIN

DIFFERENTIAL TRAVEL - - - .012 MAX

OVERTRAVEL - - - - - .009 MIN

ELECTRICAL DATA

CONTACT ARRANGEMENT

SCALE FULL

DO NOT SCALE PRINT

UNLESS OTHERWISE SPECIFIED TOLERANCES ARE

ONE PLACE (.0) \pm .030

TWO PLACE (.00) \pm .015

THREE PLACE (.000) \pm .005

ANGLES \pm

RAW MATERIAL - COMMERCIAL STANDARD

WEIGHT

FO-52848-B

DRAWN

23 OCT 89