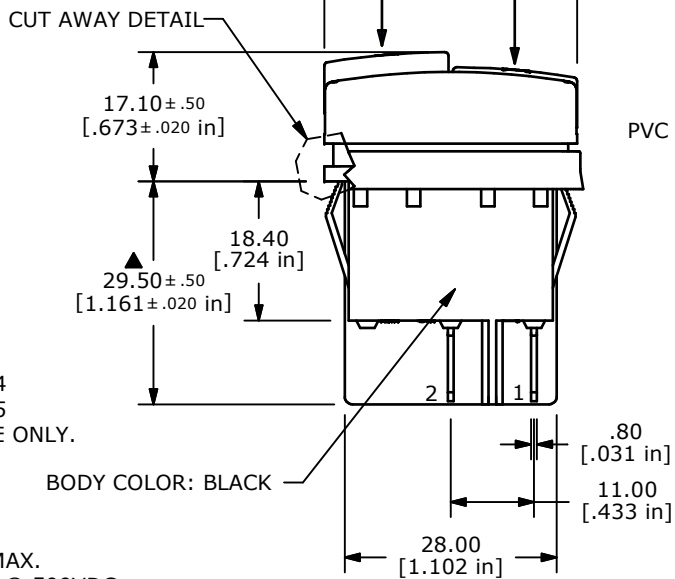
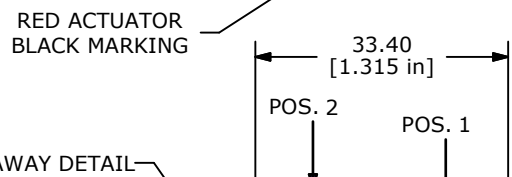
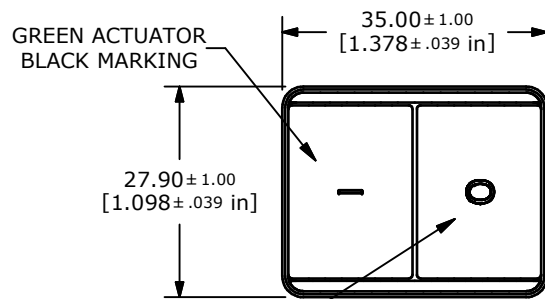
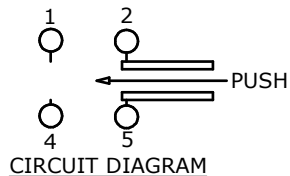
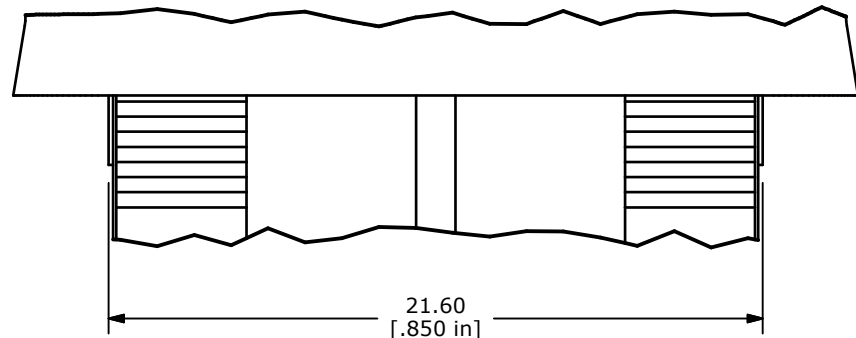


SUGGESTED PANEL CUTOUT
SUGGESTED PANEL THICKNESS
1.0mm TO 2.0mm

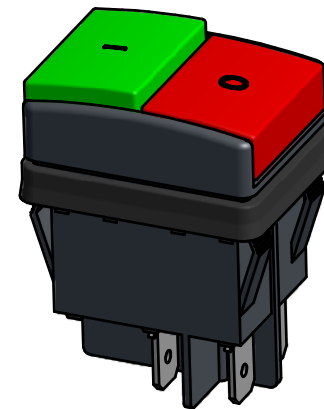
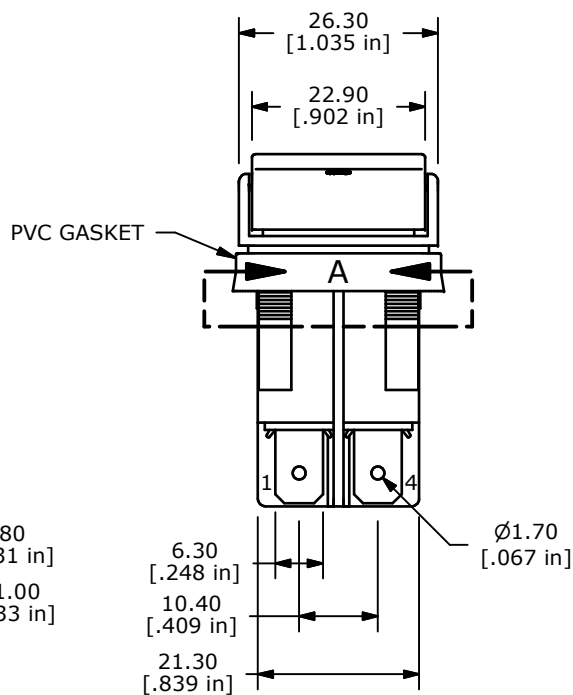
SWITCH FUNCTION	
POS. 1	POS. 2
OFF	ON
OPEN	2-1, 5-4



BODY COLOR: BLACK



DETAIL A



NOTE:

1. ALL DIMENSIONS IN MM [INCH]
2. GENERAL TOLERANCE: X.X = 0.4
X.XX = 0.25
3. TERMINAL NO'S FOR REFERENCE ONLY.
- ▲ 4. CONTACT RATINGS:
ANSI/UL 508 (E195908)
20A 125VAC [cURus]
12A 250VAC [cURus]
5. CONTACT RESISTANCE: 50mΩ MAX.
6. INSULATION RESISTANCE: 5MΩ @ 500VDC
7. DIELECTRIC STRENGTH: 1,500VAC FOR 1 MINUTE
8. ELERTICAL LIFE: 6,000 CYCLES
9. OPERATING TEMP: 0°C TO 85°C
10. ▲ DENOTE CRITICAL PARAMETER
11. 2002/95/EC (ROHS) COMPLIANT
12. INGRESS PROTECTION: IP54



TITLE PB242D1A11				
SCALE	DATE 6/25/2014	DR EBP	DWG 34-PB242D1A11	REV A

A	21492	RELEASE FOR PRODUCTION	6/25/14	EBP
REV	PCR NO	DESCRIPTION	DATE	BY

THE INFORMATION CONTAINED IN THIS DOCUMENT IS PROPRIETARY TO E-SWITCH AND IS NOT TO BE COPIED OR TRANSFERRED