

THIS DRAWING IS UNPUBLISHED.

RELEASED FOR PUBLICATION

20

© COPYRIGHT 20 BY -

ALL RIGHTS RESERVED.

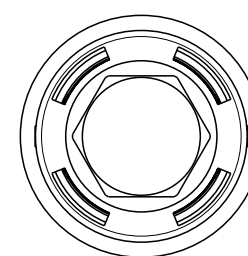
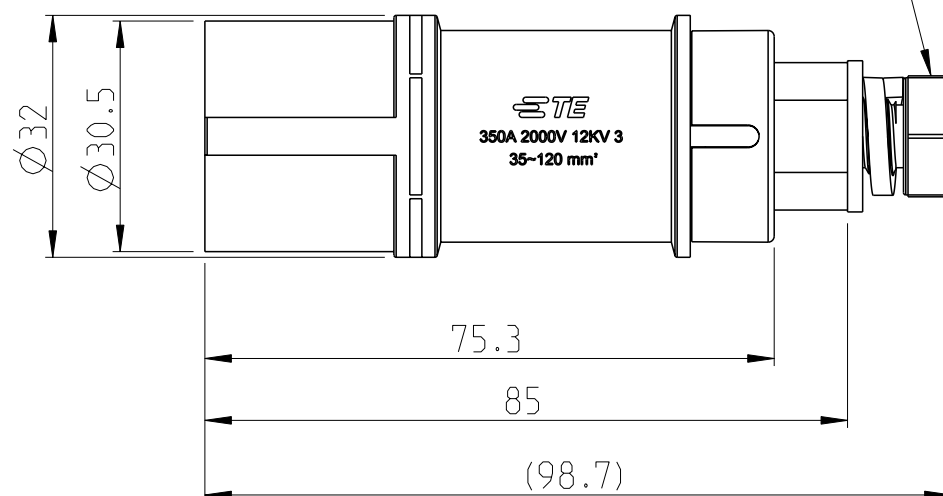
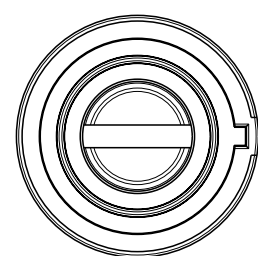
REVISIONS

P	LTR	DESCRIPTION	DATE	DWN	APVD
	A	INITIAL	15Mar2015	GY	CW

Table 2

Conductor section: mm	35	50	70	95	120
Tightening torque: Nm	8	10	12	14	16

M10 thread, recommended tightening torque see table 2

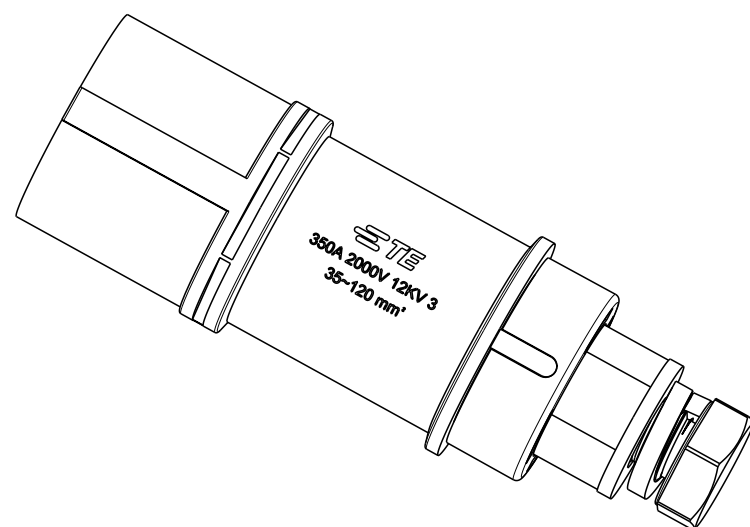


NOTES:


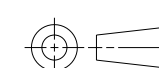

- TECHNICAL CHARACTERISTICS:
 INSULATION MATERIAL: PC&PA6(GRAY)
 IN POLLUTION DEGREE: 3
 RATED VOLTAGE: 2000V
 RATED CURRENT: 350A
 RATED IMPULSE VOLTAGE: 12KV
 INSULATION RESISTANCE: $\geq 400M\Omega$
 CONTACT RESISTANCE: $\leq 5m\Omega$
 FLAMMABILITY: UL94V-0
 MATING CYCLES: 200
 OPERATION TEMPERATURE: $-40^{\circ}C \sim +125^{\circ}C$
 WIRE RANGE: $35mm^2 \sim 120mm^2$ (AWG2-AWG0000)
 CONTACT TYPE: STRAIGHT VERSION WITH SCREW TERMINAL(M10)

注释:

- 技术参数:
 绝缘材料: PC&PA6(GRAY)
 污染等级环境为: 3
 额定电压: 2000V
 额定电流: 350A
 脉冲电压: 12KV
 绝缘电阻: $\geq 400M\Omega$
 接触电阻: $\leq 5 m\Omega$
 阻燃等级: UL94V-0
 插拔次数: 200
 工作温度: $-40^{\circ}C \sim +125^{\circ}C$
 接线范围: $35mm^2 \sim 120mm^2$ (AWG2-AWG0000)
 接线类型: 直式螺栓结构(M10)



HCM350-120-M	T2193502101-000
DESCRIPTION	PART NUMBER

THIS DRAWING IS A CONTROLLED DOCUMENT.		DWN	21Feb2015		 TE Connectivity
		CHK	21Feb2015		
		APVD	21Feb2015		
		PRODUCT SPEC	108-137073		
DIMENSIONS: mm		TOLERANCES UNLESS OTHERWISE SPECIFIED:		NAME HCM350-120-M	
		0 PLC	±		SIZE A3
		1 PLC	±		
		2 PLC	±		CAGE CODE -
		3 PLC	±		
		4 PLC	±		DRAWING NO  -T2193502101000
		ANGLES	±		
MATERIAL		FINISH		RESTRICTED TO	
-		-		-	
-		-		-	
Customer Drawing				SCALE	1:1
				SHEET	1 OF 1
				REV	A