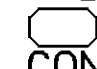
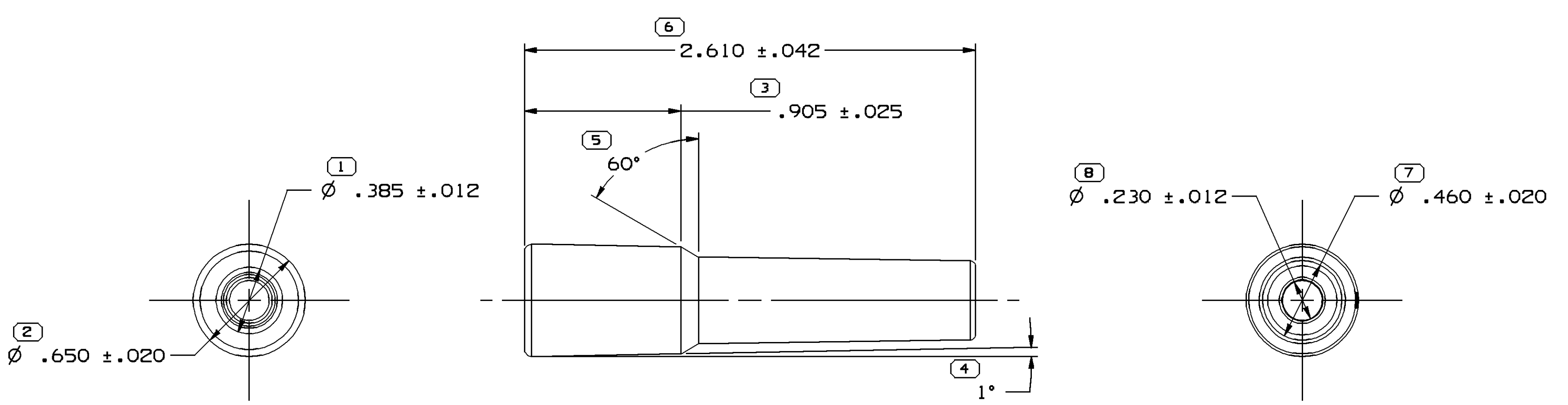
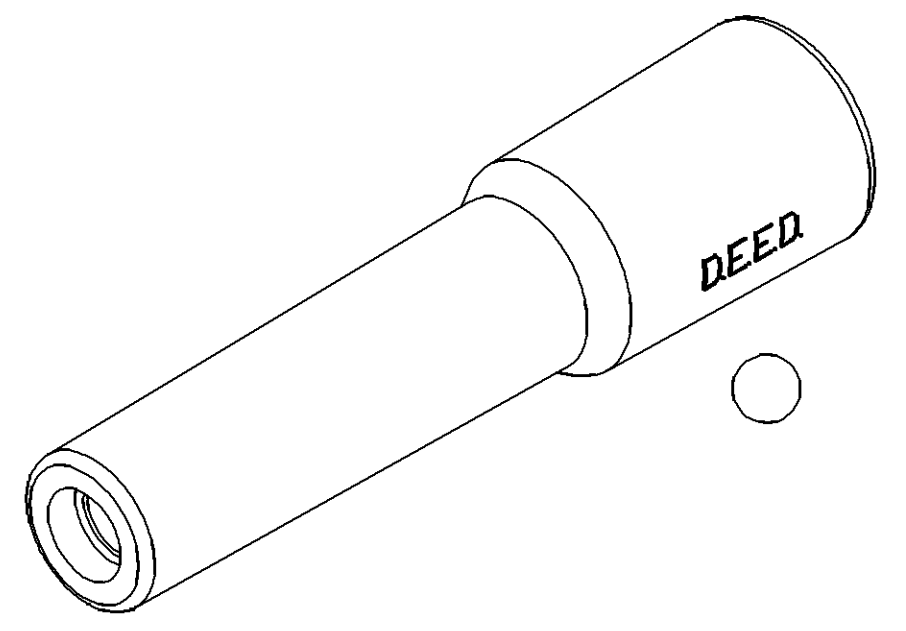



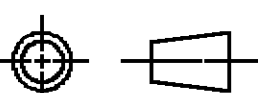
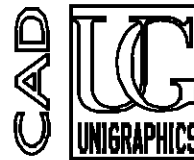
SYMBOL DEFINITION	
A DIMENSION WITHOUT AN INSPECTION REPORT SYMBOL  DOES NOT REQUIRE INSPECTION. IT MAY BE CONTROLLED ON THE INDIVIDUAL COMPONENT DRAWING.	TOTAL NO OF INSPECTIONS REQUIRED 8
	LAST NO. USED 8

MISSING SYMBOLS		DWG STATUS				ZONE		REVISION HISTORY		AUTH	DR	APVD1	APVD2
NO MISSING SYMBOL NUMBER		DATE	STG	REV	N/P	CHG							
		08DE06	R	07	AD	-			CLEARED REV COL AND ADDED DEED LOGO & NOTE 3	287351	JBD	EVV	RAT



- NOTES
- UNLESS OTHERWISE SPECIFIED AND/OR INDICATED:  
DIMENSIONS ARE TO FACE OF VIEW SHOWN AND AUTOMATICALLY ROUNDED BY COMPUTER FOR INSPECTION (SEE MATH MODEL FOR PRECISE DIMENSIONS). FOR ALL OTHER DIMENSIONS NOT SHOWN BUT REQUIRED FOR TOOL BUILD, SEE MATH MODEL FOR PRECISE TOOL PATH DATA.
  - PARTS TESTED TO ES-T-486 WILL HAVE A MINIMUM AVERAGE DIELECTRIC BREAKDOWN VALUE OF 20 KV(RMS) WITH NO TEST VALUE LESS THAN 15 KV.
  -  D.E.E.D. AND CAVITY NUMBER ARE (.091) X (.004) RAISED AND ARE LOCATED ON ANY EXTERIOR SURFACE VISIBLE AT FINAL ASSEMBLY.

6 PROCESS SENSITIVE DIMENSION	
DIMENSIONS ENCLOSED IN ( ) INDICATE REFERENCE DIMENSIONS AND NO TOLERANCE LIMITS ARE ESTABLISHED	
DIMENSIONAL RANGE (IN)	CHART H
FROM 0	>.750
TO .750	1.250
	2.750
	4.000
	>4.000
TOLERANCE UNLESS OTHERWISE SPECIFIED	
±.005	±.010
±.012	±.016
±.020	±.020
ANGULAR TOLERANCE ±2°	

DWG TYPE	
PART DRAWING	
STYLE	
VOLUME (IN <sup>3</sup> )	DISTR CODE
6.268	D
UNLESS OTHERWISE SPECIFIED	
THIS DOCUMENT IS IN ACCORDANCE WITH ASME Y14.5M-1994 AS AMENDED BY THE 2003 GLOBAL DIMENSIONING AND TOLERANCING ADDENDUM - 1997. ALL GEOMETRIC TOLERANCES AND RELATED DATUMS APPLY RFS. RULE #1 (PERFECT FORM AT MMC) DOES NOT APPLY WHEN RELATIONSHIP BETWEEN FEATURES IS ESTABLISHED BY ORIENTATION OR LOCATION TOLERANCES. SEPARATE POSITION CALLOUTS MAY BE GAGED SEPARATELY, REGARDLESS OF DATUM REFERENCE. ALL DIMENSIONS ARE IN INCHES.	
REFERENCE	
THIRD ANGLE PROJECTION	DO NOT SCALE
	USE MATH DATA
	

**DELPHI**  
DELPHI PACKARD ELECTRIC SYSTEMS  
WARREN, OH

DR	DATE
APVD1 JOHN M. SOVA	25MY78
APVD2 D.E. LHEIG	31MY78
APVD3 S.C. DULAC	01JN78
APVD4	
APVD5	

SUBSTANCES OF CONCERN AND RECYCLED CONTENT PER DELPHI 10949001

MATERIAL  
M4992002 SILICONE BLK

DRAWING NAME  
SLEV IGN BOOT BLK

DRAWING NUMBER  
08905588

SIZE	SCALE	FRAME NO	SHEET NO	STG	REV	N/P	AD
A1	2:1	1 OF 1	1 OF 1	R	07		