

POWERLATCH™ CABLE

PROFESSIONAL POWERLATCH™

Io Audio Technologies' Powerlatch™ cables provide great power reliability while offering excellent durability. Powerlatch™ cables offer compatibility with other industry standard connectors and come in two cable variations.

WEATHERPROOF JACKET

Medium duty SJTW jacket opens up the ability to use the cable outdoors and under rainy conditions.

KEYED, LOCKING CONNECTORS

Each connector is keyed differently to eliminate the possibility of inter-mating. Locking mechanism virtually eliminates accidental unplugging.



APPLICATIONS

PTP series comes standard with our own Powerlatch™ Blue (A) and Powerlatch™ Gray (B) connectors.

PTE series comes standard with our own Powerlatch™ Blue (A) and Edison connectors.

INDUSTRIES

- Pro Audio Manufacturing
- Pro Video Manufacturing
- Electronics Hobbyists
- Pro Lighting Manufacturing
- Medical Instruments
- Communications

Product specifications may change without prior notification

Io Audio Technologies® is a registered trademark of Knight Electronics, Inc.

10557 Metric Dr. Dallas, TX 75243 | 214-340-0265 | 800-323-2439 | Fax: 214-340-5870 | www.ioaudiotكنولوجies.com

SPECIFICATIONS

Product

Part Number: **IO-PRCPTP-14-X, IO-PRCPTE-14-X**

Number of Conductors: **2 plus ground**

Insulation

Material: **PVC**

Colors: **Black, White, Green**

Conductors

Details: **48/0.2 ABC**

Size: **14 AWG**

Jacket

O.D.: **9.0mm**

Material: **PVC**

Color: **Black**

Electrical and Mechanical Characteristics

Conductor DC Resistance (Ω/km): **< 8.88**

Insulation Resistance ($\text{M}\Omega/\text{kft}$): **> 120**

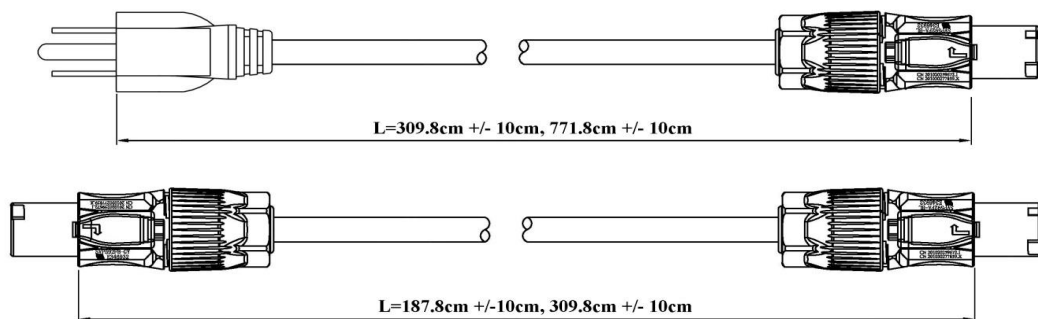
Dielectric Strength ($\text{KV}/1 \text{ min}$): **2.0**

Voltage Breakdown: **300V**

Applicable Temperature: **$-20^{\circ}\text{C} \sim +60^{\circ}\text{C}$ ($-4^{\circ}\text{F} \sim +140^{\circ}\text{F}$)**

Peak Temperature: **$-40^{\circ}\text{C} \sim +70^{\circ}\text{C}$ ($-40^{\circ}\text{F} \sim +158^{\circ}\text{F}$)**

Drawing



STANDARDS & CLASSIFICATIONS



Product specifications may change without prior notification

Io Audio Technologies® is a registered trademark of Knight Electronics, Inc.

10557 Metric Dr. Dallas, TX 75243 | 214-340-0265 | 800-323-2439 | Fax: 214-340-5870 | www.ioaudiotكنولوجies.com