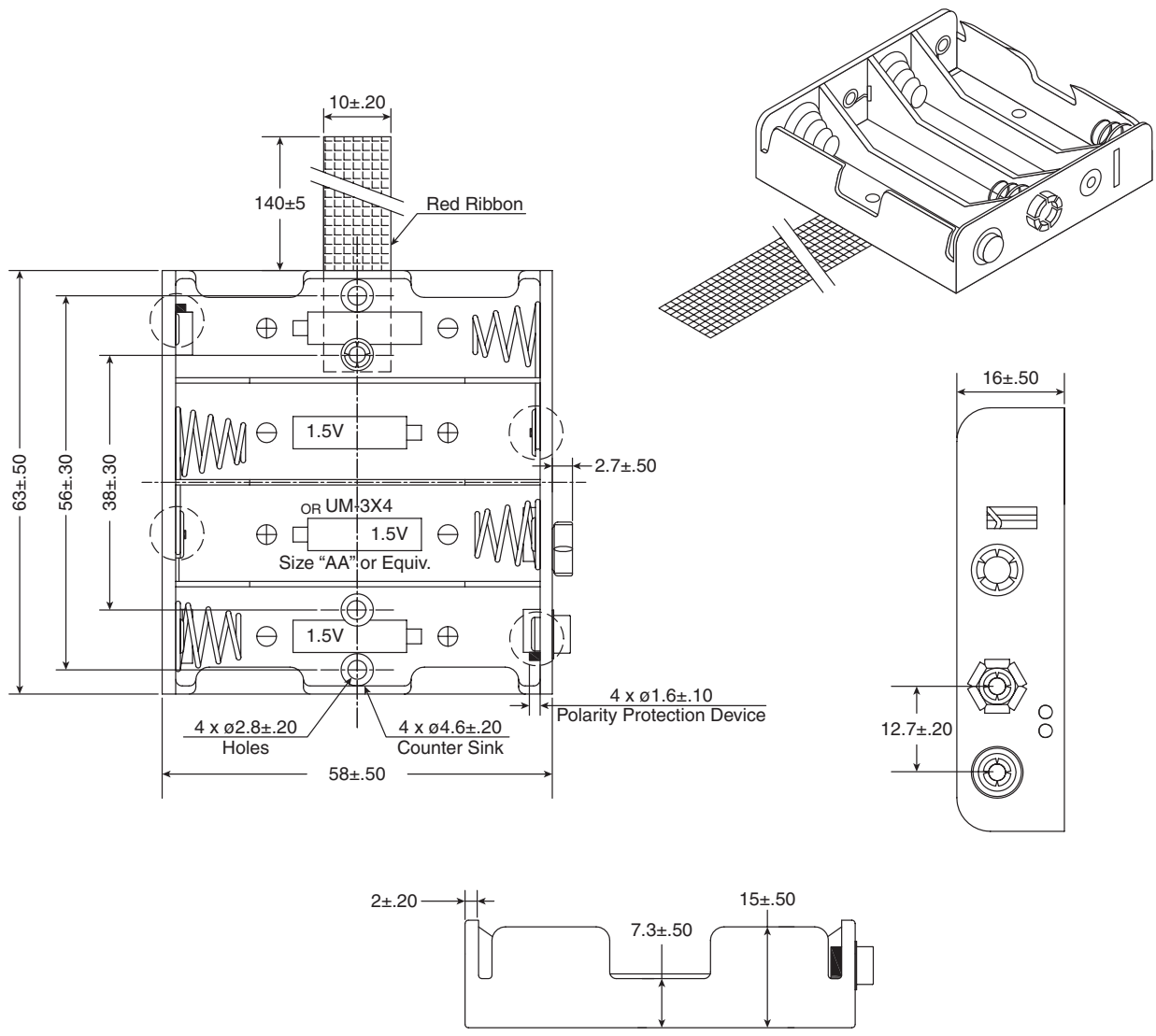


Date Last Revised: 3/17/18



DIMENSIONS: mm

SPECIFICATIONS	
Material:	PP Resin, Black Color
Spring:	ø0.7mm Spring Steel Nickel Plated
RoHS Compliant	

Available from Mouser Electronics
1-800-346-6873 / www.mouser.com

EPD-200990