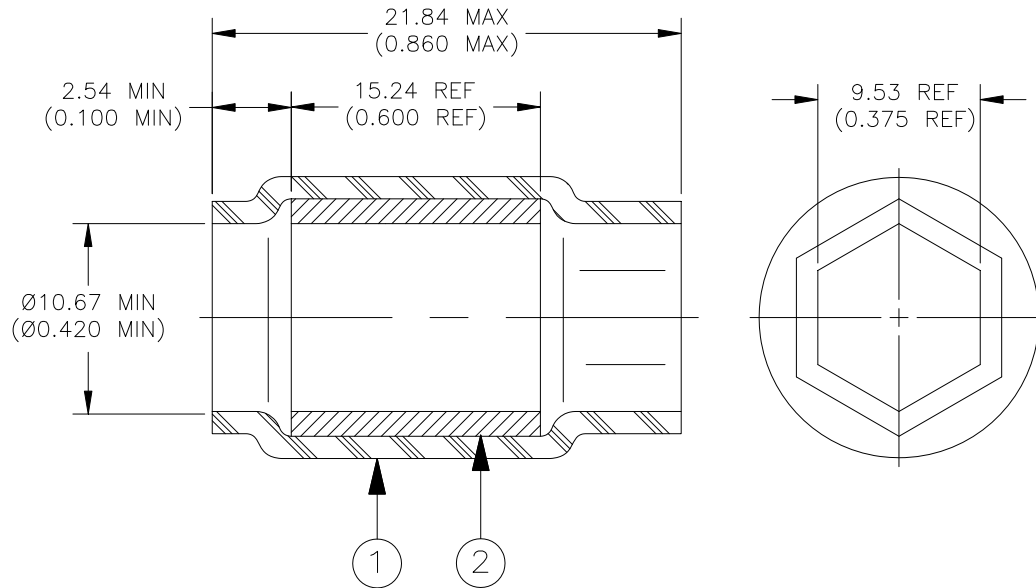


CUSTOMER DRAWING



MATERIALS

1. INSULATION SLEEVE: Heat-shrinkable, transparent blue, radiation cross-linked modified polyvinylidene fluoride.
2. MELTABLE INSERT: Modified fluoride-based thermoplastic.

APPLICATION

1. This sleeve is designed to be used in conjunction with a D-621-0028.

INSTALLATION PROCEDURE

1. Slide the sleeve over the D-621/Soldertact and cable assembly such that the hex side of sleeve is facing the hex portion of D-621-0028.
2. Thread the jam nut onto the D-621 until only 1/8" remaining between the nut and the hex portion of the D-621 body.
3. Slide the sleeve over the hex portion of the D-621 until the sleeve bottoms on the panel nut.
4. Gently pull on the Soldertact cable until the Soldertact fully seats in the D-621.
5. Begin heating the sleeve on the insert side first using a CV-5700 (Mini-Gun 3). Proceed to melt the insert and continue up to recover the sleeve over the hex portion and part of the threads.

Tyco Electronics		300 Constitution Dr Menlo Park, CA 94025, U.S.A.	TITLE: SLEEVE, RETAINING		
Unless otherwise specified dimensions are in millimeters. [Inches dimensions are shown in brackets]		Raychem Devices	DOCUMENT NO.: D-436-0152		
TOLERANCES: 0.00 N/A 0.0 N/A 0 N/A	ANGLES: N/A ROUGHNESS IN MICRON	Tyco Electronics reserves the right to amend this drawing at any time. Users should evaluate the suitability of the product for their application.		REV: A	DATE: December 28, 2010
REVISED BY: UNGUYEN	CAGE CODE: 06090	ECO NUMBER: ECO-10-026399	SCALE: NTS	SIZE: A	SHEET: 1 of 1

© 2010 Tyco Electronics Corporation. All rights reserved.

If this document is printed it becomes uncontrolled. Check for the latest revision.