

THIS DRAWING IS UNPUBLISHED. RELEASED FOR PUBLICATION 20
 © COPYRIGHT 20 BY - ALL RIGHTS RESERVED.

| REVISIONS | | | | | |
|-----------|-----|---------------------------|-----------|-----|------|
| P | LTR | DESCRIPTION | DATE | DWN | APVD |
| | A | REVISED PER ECR-18-014960 | 21SEP2018 | SS | JL |
| | A1 | REVISED PER ECR-19-008871 | 13JUN2019 | SR | DD |
| | A2 | REVISED PER ECR-19-009651 | 12JUL2019 | SR | DD |

1 MATERIALS:
 HOUSING: PBT
 DIMMING CONTACTS (QTY. 4): COPPER ALLOY
 LINE VOLTAGE CONTACTS (QTY. 3): COPPER ALLOY
 GASKET: VINYL/NITRILE FOAM
 O-RING: SILICONE RUBBER
 MEMBRANE VENT: PTFE

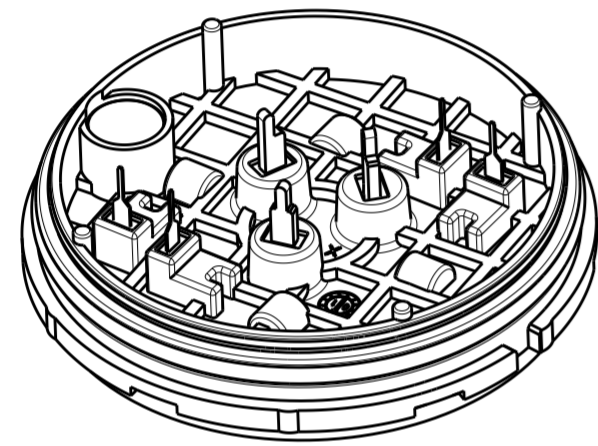
2 FINISH:
 DIMMING CONTACTS: NICKEL UNDERPLATE ENTIRE
 CONTACT 0.127 µm MIN THICK. SELECTIVE GOLD PLATE CONTACT
 MATING AREA (MATING FACE SIDE ONLY) 0.76 µm MIN THICK.
 MATTE TIN PLATE TAB ON BOTH SIDES 0.30 µm MIN THICK.
 LINE VOLTAGE CONTACTS: MATTE TIN PLATE

3 MATING INTERFACE PER ANSI C136.41-2013.

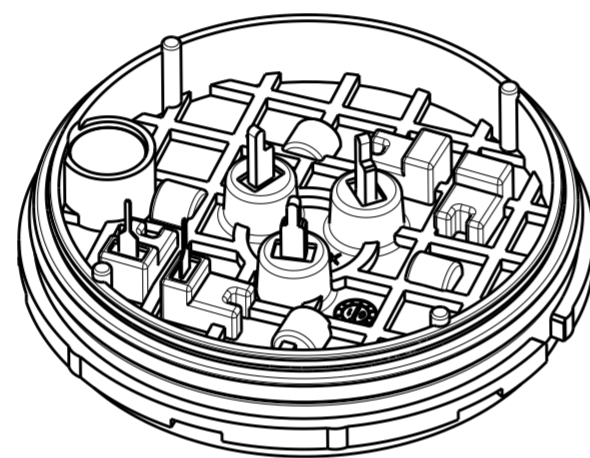
4 ADHESIVE BACKED GASKET SUPPLIED BUT NOT INSTALLED.

5 ADDITIONAL COVERS AND SLEEVES OF VARIOUS HEIGHTS ARE AVAILABLE. CONTACT TE CONNECTIVITY FOR MORE OPTIONS.

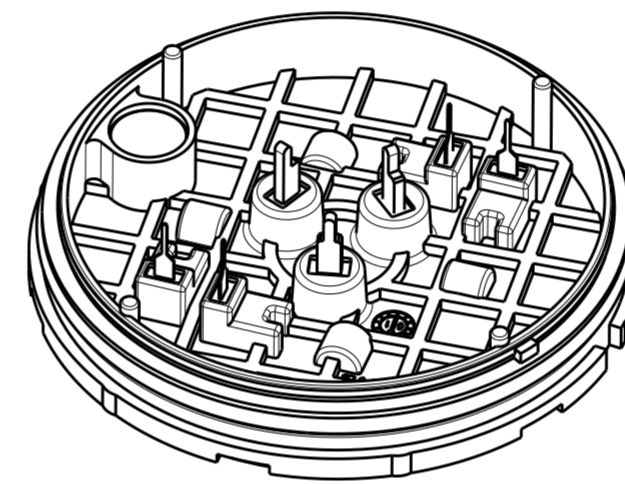
7. THIS PRODUCT HAS NOT COMPLETED VALIDATION TESTING.



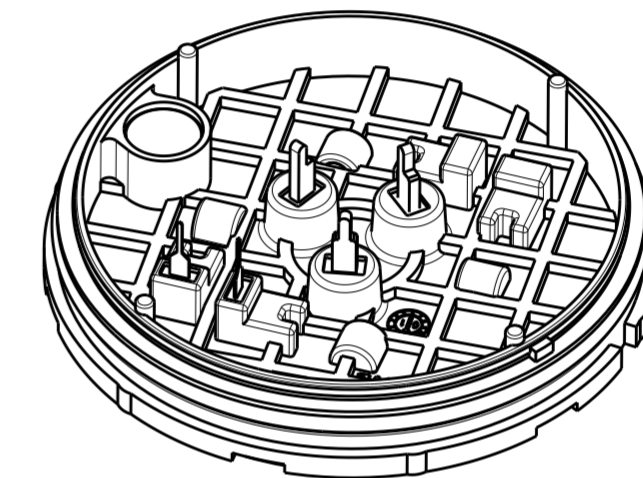
2336396-1 SHOWN



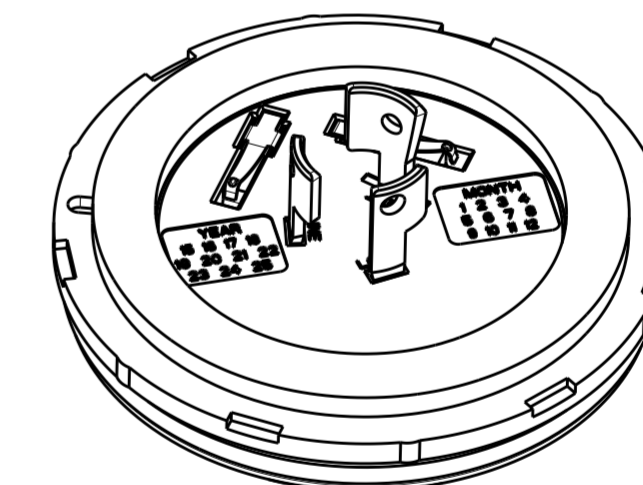
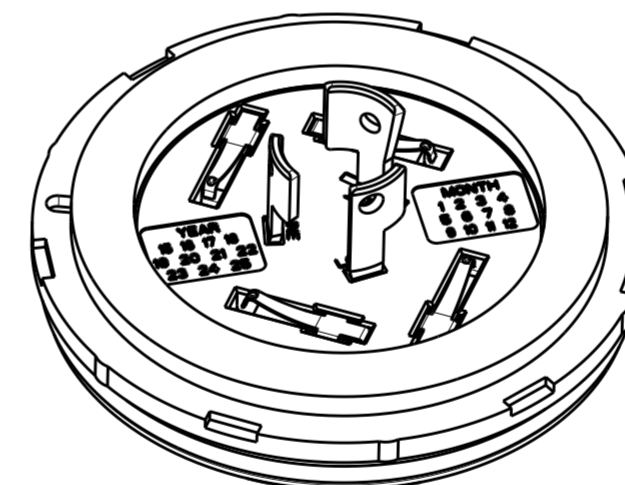
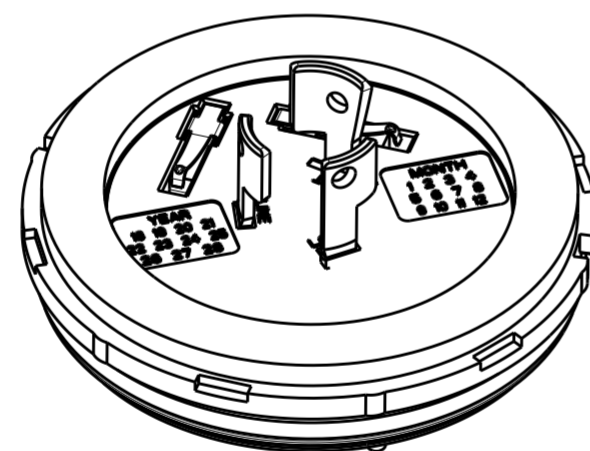
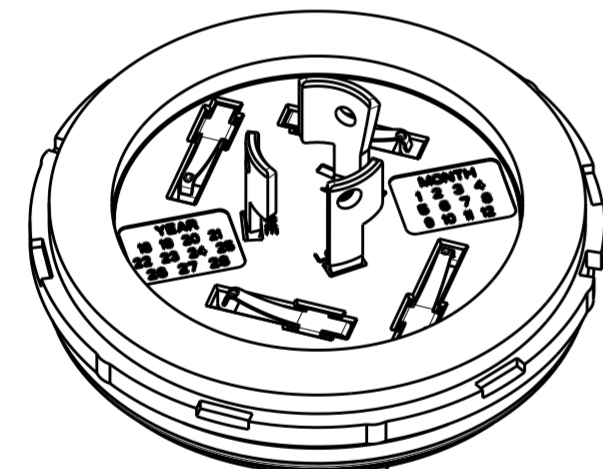
1-2336396-1 SHOWN



2336396-2 SHOWN



1-2336396-2 SHOWN



| | | | | | | | | | | | | | |
|-----------------------------|----------------------------|-------------------|-------|-------|--------|--------|--------|--------|-----------------------|------------------------|--------|--------|-------------|
| 2213996-X | 2306130-X | 5 | 13.04 | 26.20 | Ø82.24 | Ø78.54 | Ø69.80 | Ø70.70 | Ø72.25 | Ø77.53 | Ø77.74 | Ø81.15 | 1-2336396-2 |
| 2213996-X | 2306130-X | 7 | 13.04 | 26.20 | Ø82.24 | Ø78.54 | Ø69.80 | Ø70.70 | Ø72.25 | Ø77.53 | Ø77.74 | Ø81.15 | 2336396-2 |
| 2213805-X | 2213748-X | 5 | 4.35 | 27.45 | Ø77.00 | Ø76.96 | Ø64.50 | Ø65.00 | Ø66.75 | Ø71.23 | Ø72.00 | Ø76.00 | 1-2336396-1 |
| 2213805-X | 2213748-X | 7 | 4.35 | 27.45 | Ø77.00 | Ø76.96 | Ø64.50 | Ø65.00 | Ø66.75 | Ø71.23 | Ø72.00 | Ø76.00 | 2336396-1 |
| REPRESENTATIVE SLEEVE P/N 5 | REPRESENTATIVE COVER P/N 5 | CONTACT POSITIONS | DIM T | DIM S | DIM Y | DIM X | DIM P | DIM N | DIM M MAX WITH SLEEVE | DIM M MAX W/OUT SLEEVE | DIM F | DIM E | PART NO. |

THIS DRAWING IS A CONTROLLED DOCUMENT.

DWN: J. SHAFFER 03MAY2018
 CHK: M. MOSTOLLER 03MAY2018
 APVD: -

STE TE Connectivity

NAME: BASE ASSEMBLY, LIGHT CONTROLLER, SLEEVE COMPATIBLE

PRODUCT SPEC: 108-32125
 APPLICATION SPEC: 114-32159

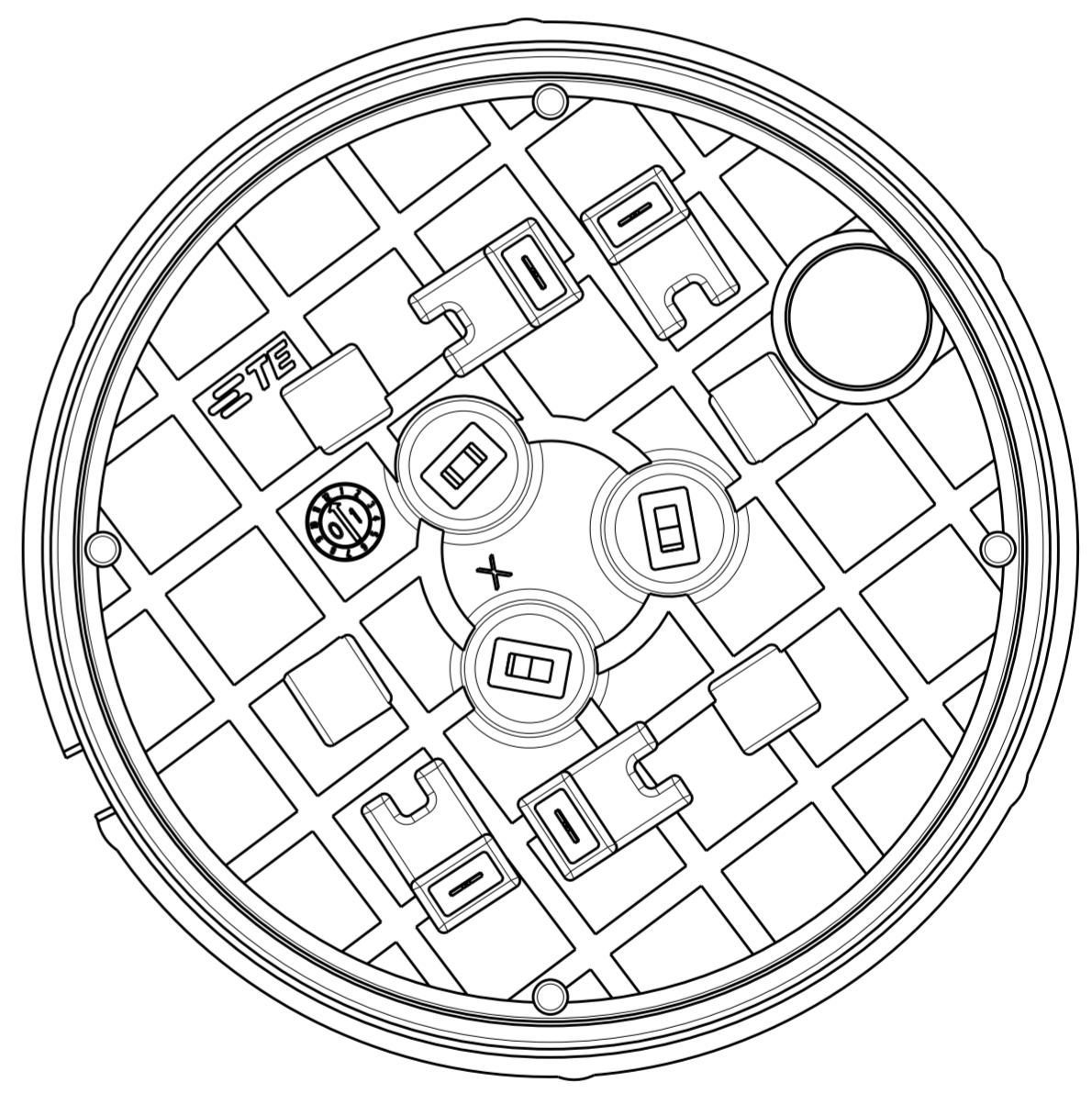
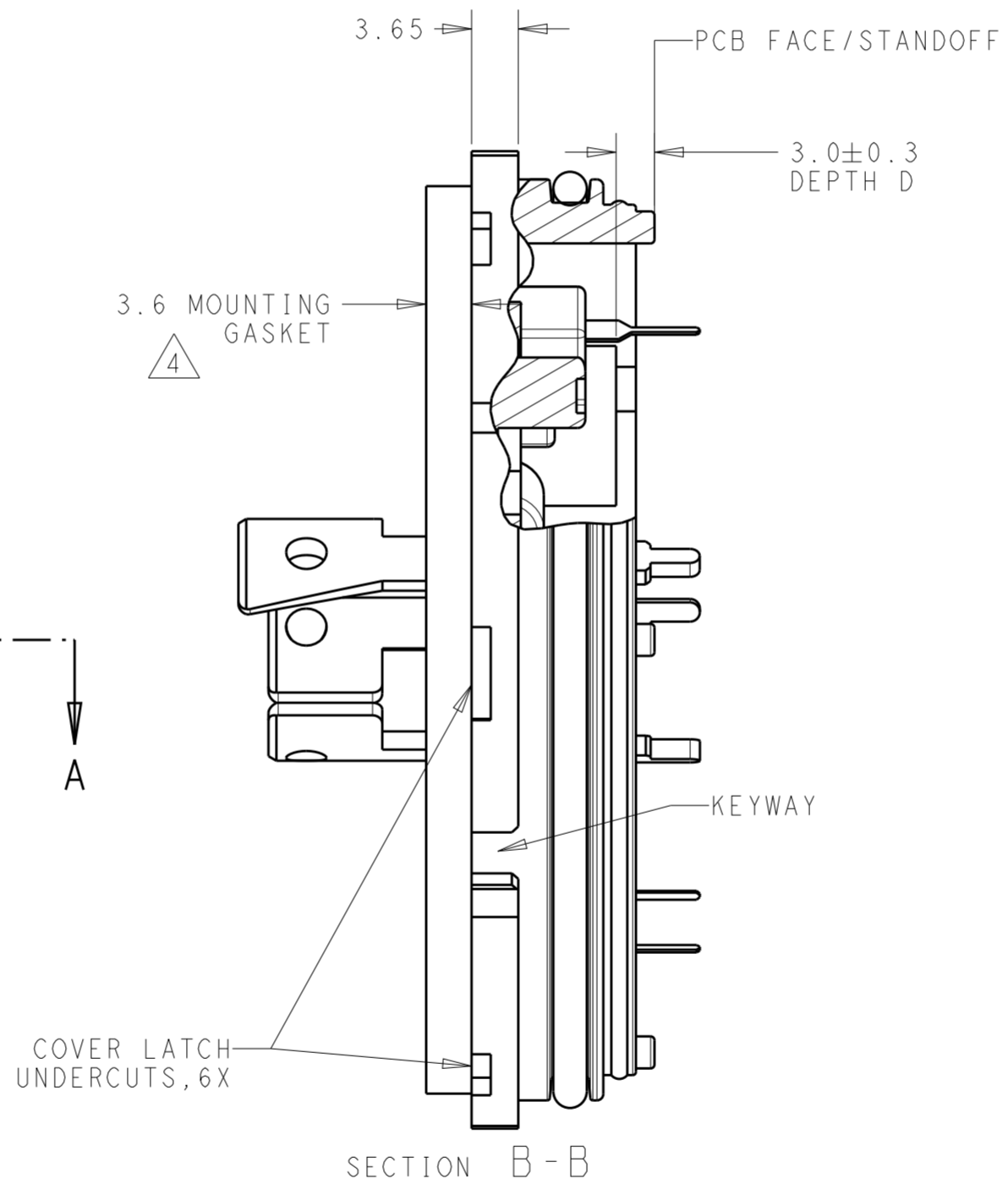
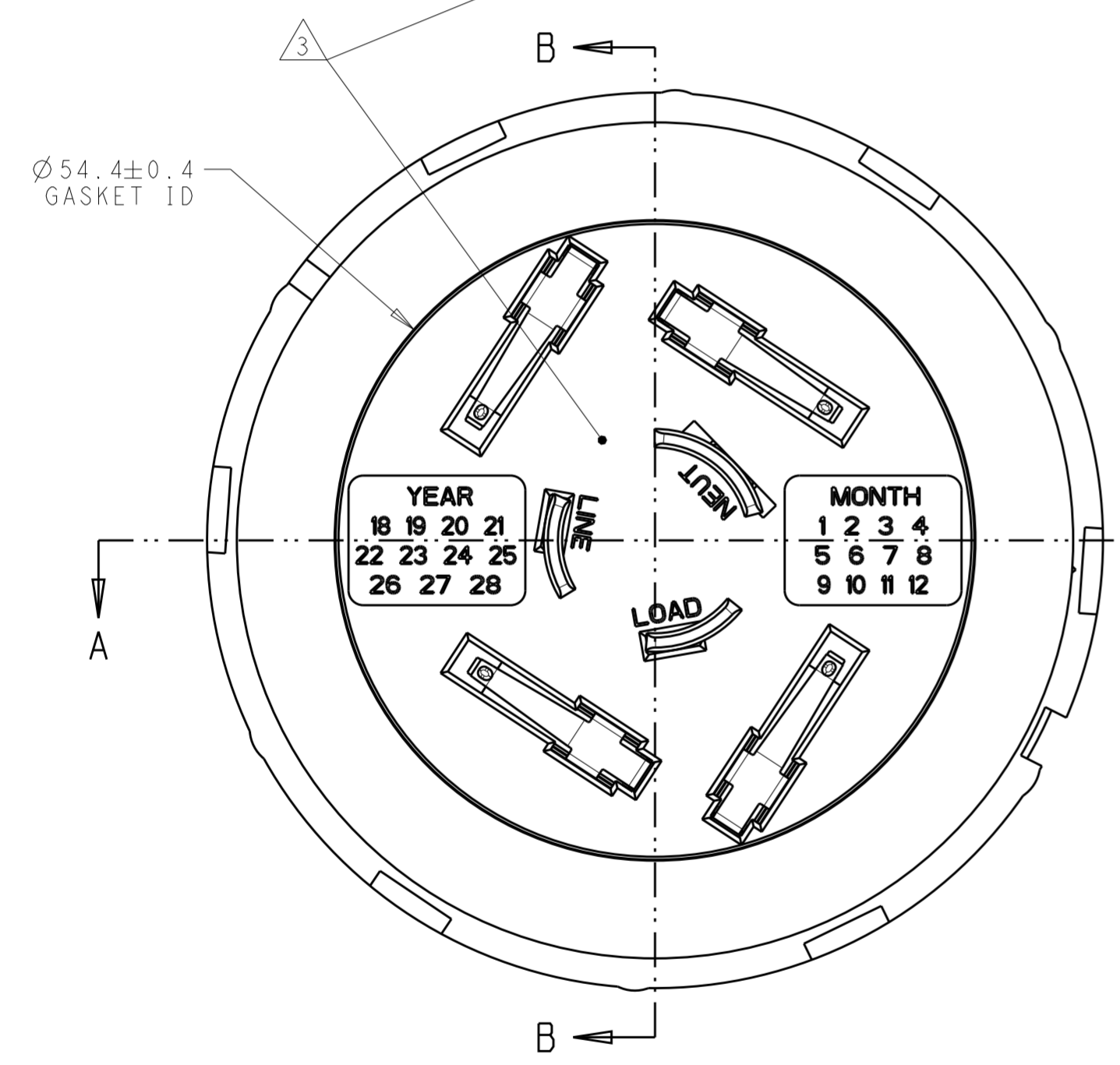
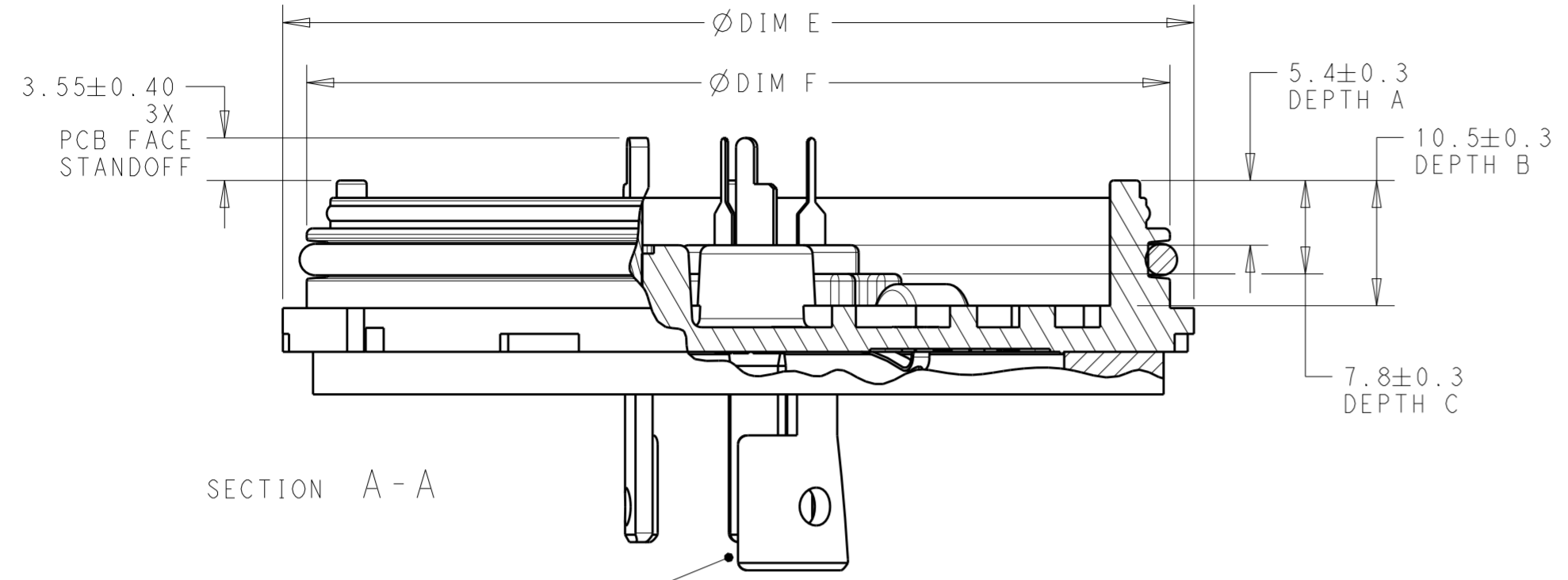
SIZE: A2 CAGE CODE: - DRAWING NO: C-2336396 RESTRICTED TO: -

WEIGHT: -

CUSTOMER DRAWING SCALE: 2:1 SHEET: 1 OF 5 REV: A2

THIS DRAWING IS UNPUBLISHED. RELEASED FOR PUBLICATION 20
 © COPYRIGHT 20 BY - ALL RIGHTS RESERVED.

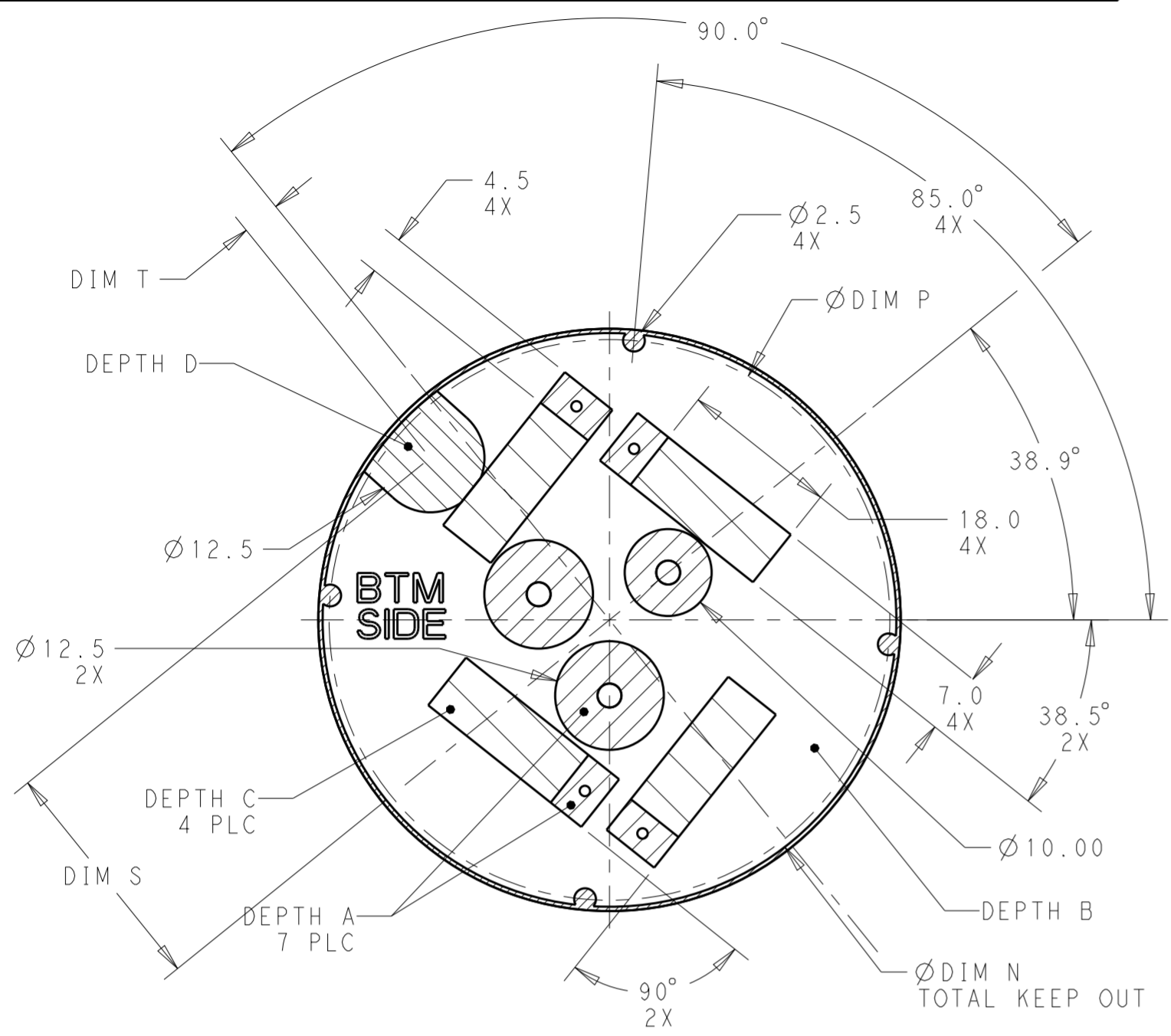
| REVISIONS | | | | |
|-----------|-----|-------------|------|------|
| P | LTR | DESCRIPTION | DATE | APVD |
| - | - | SEE SHEET 1 | - | - |
| | | | | |
| | | | | |



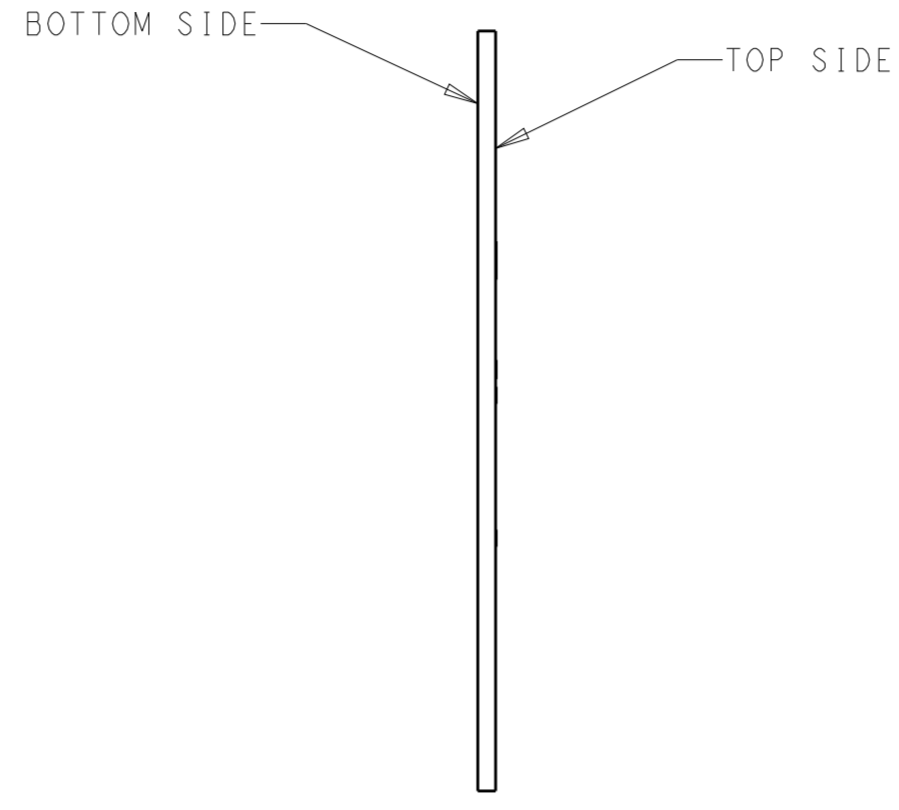
| | | | | |
|--|--|--|-----------------|--|
| THIS DRAWING IS A CONTROLLED DOCUMENT. | | DWN J. SHAFFER 03MAY2018 | TE Connectivity | |
| | | CHK M. MOSTOLLER 03MAY2018 | | |
| DIMENSIONS: mm | | TOLERANCES UNLESS OTHERWISE SPECIFIED: 0 PLC ± 1 PLC ±0.2 2 PLC ±0.13 3 PLC ± 4 PLC ± ANGLES ±3° FINISH - | | NAME BASE ASSEMBLY, LIGHT CONTROLLER, SLEEVE COMPATIBLE |
| MATERIAL | | PRODUCT SPEC 108-32125 APPLICATION SPEC 114-32159 | | SIZE A2 |
| | | WEIGHT - | | CAGE CODE - |
| | | CUSTOMER DRAWING | | DRAWING NO C-2336396 |
| | | SCALE 2:1 | | RESTRICTED TO - |
| | | SHEET 2 OF 5 | | REV A2 |

THIS DRAWING IS UNPUBLISHED. RELEASED FOR PUBLICATION 20
 © COPYRIGHT 20 BY - ALL RIGHTS RESERVED.

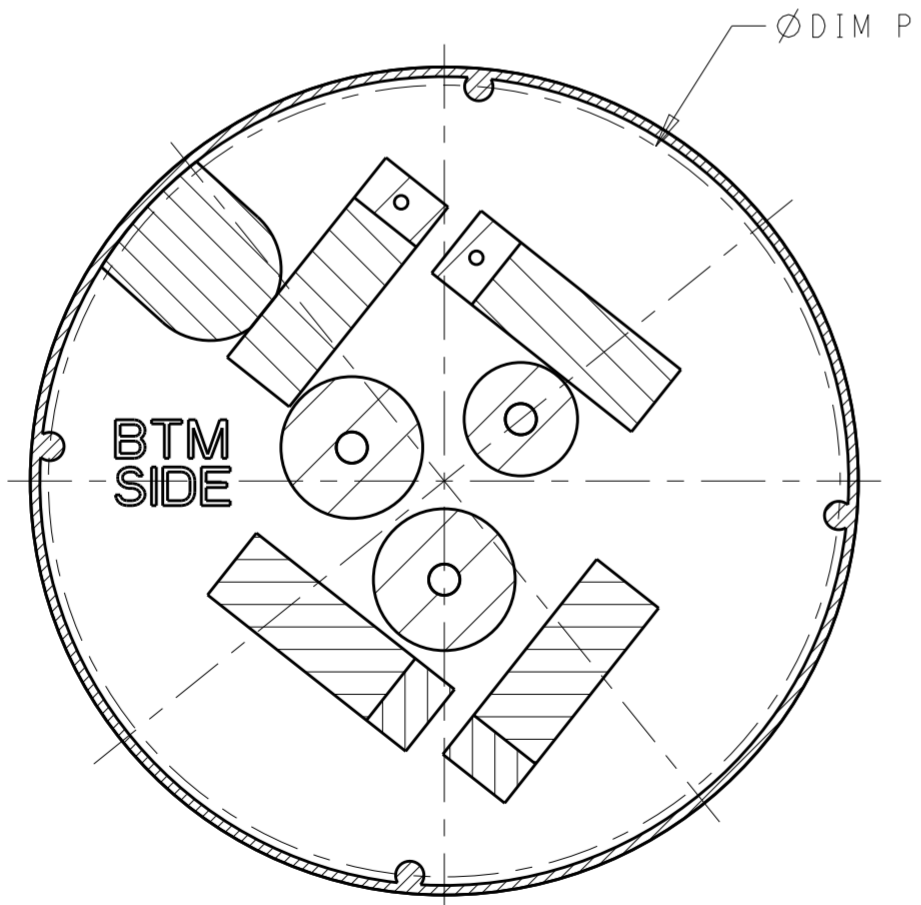
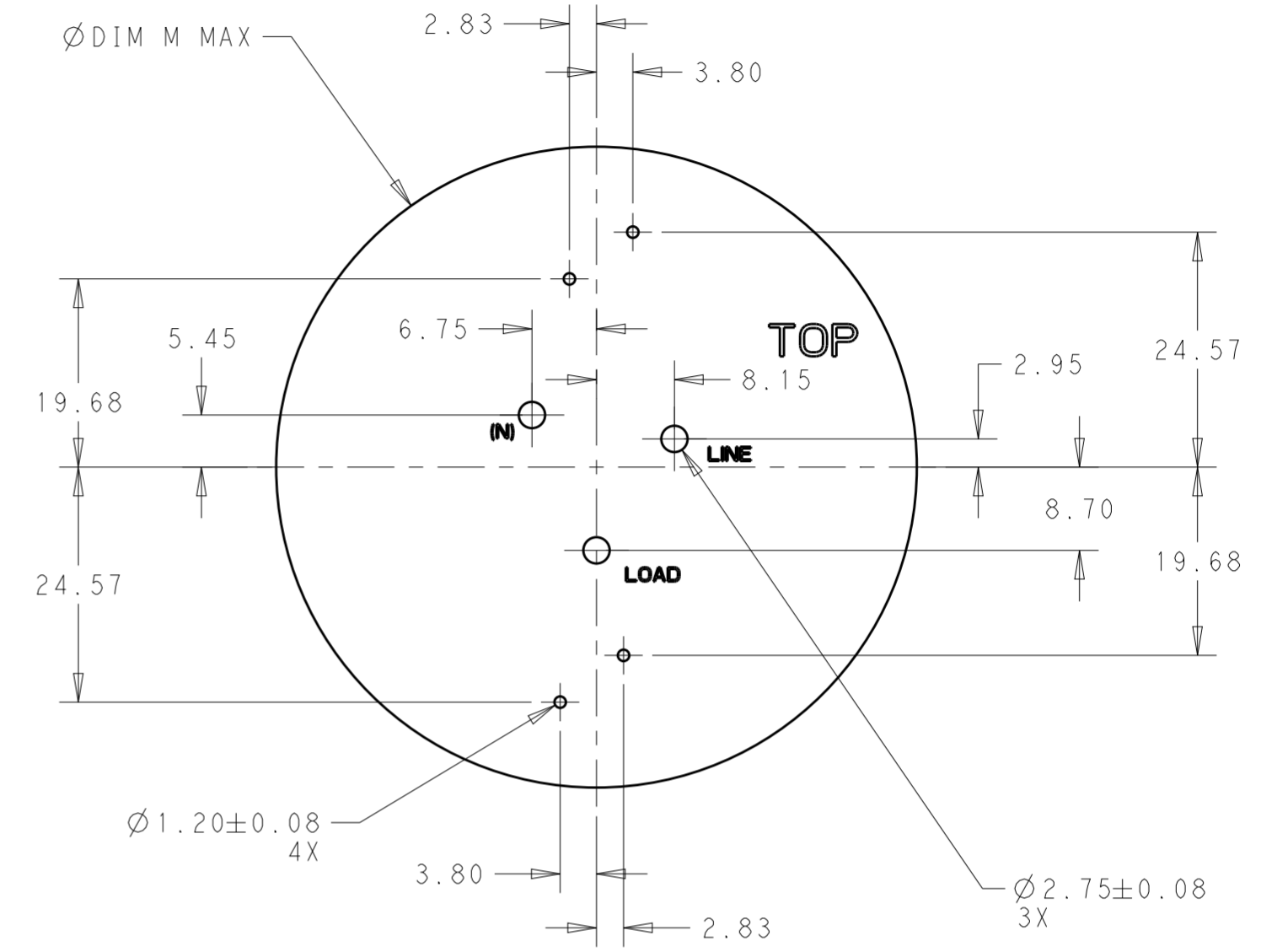
| REVISIONS | | | | |
|-----------|-----|-------------|------|------|
| P | LTR | DESCRIPTION | DATE | APVD |
| - | - | SEE SHEET 1 | - | - |
| | | | | |
| | | | | |



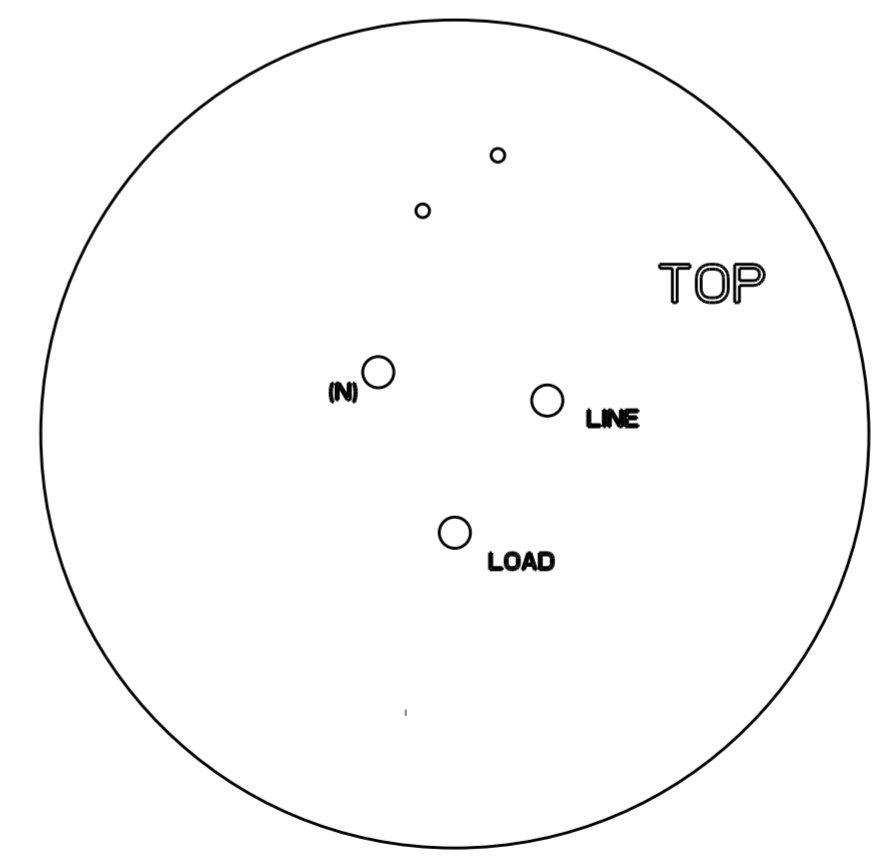
COMPONENT KEEP OUT AREAS
 2336396-1 AND 2336396-2




RECOMMENDED PCB
 SCALE 3:2

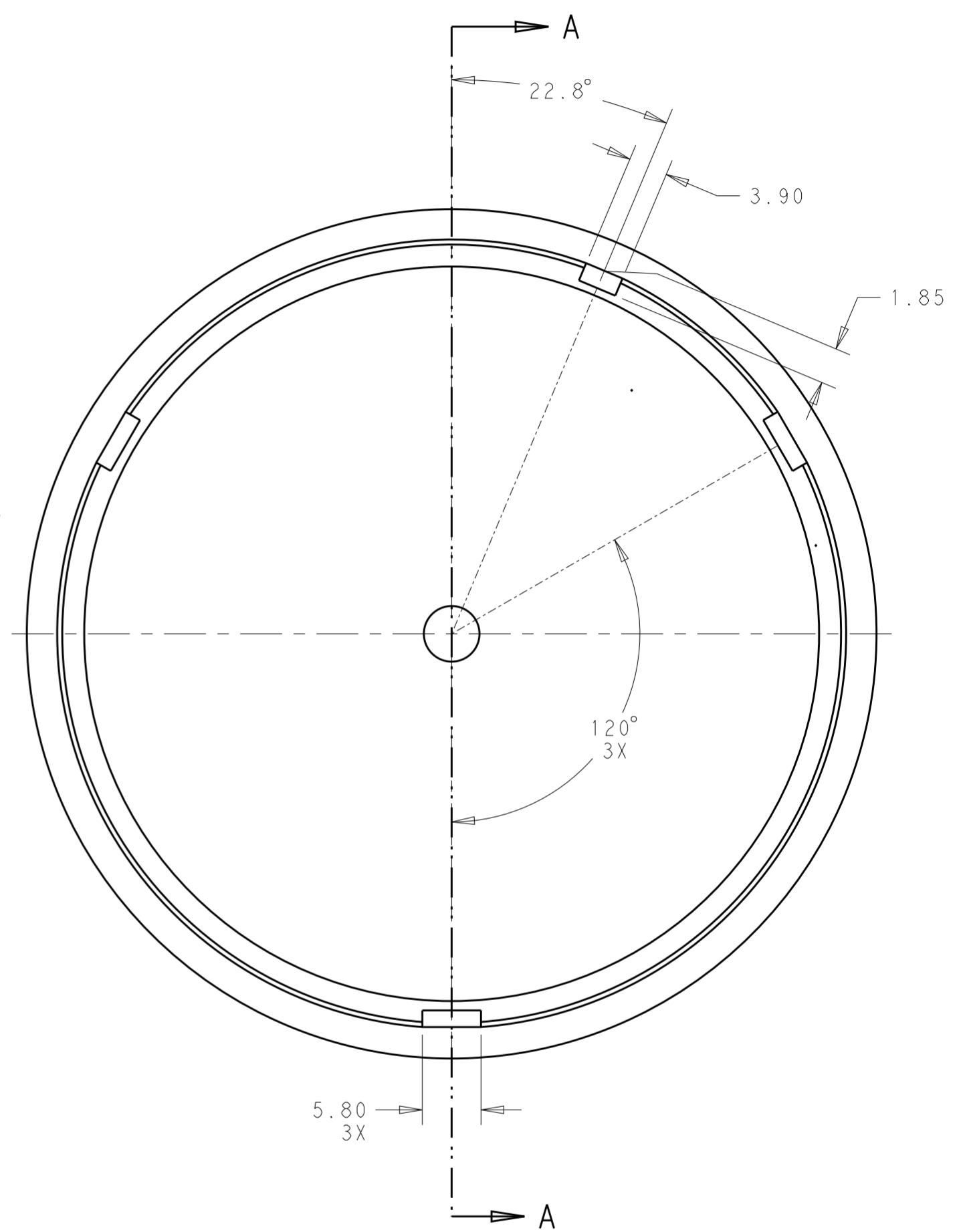
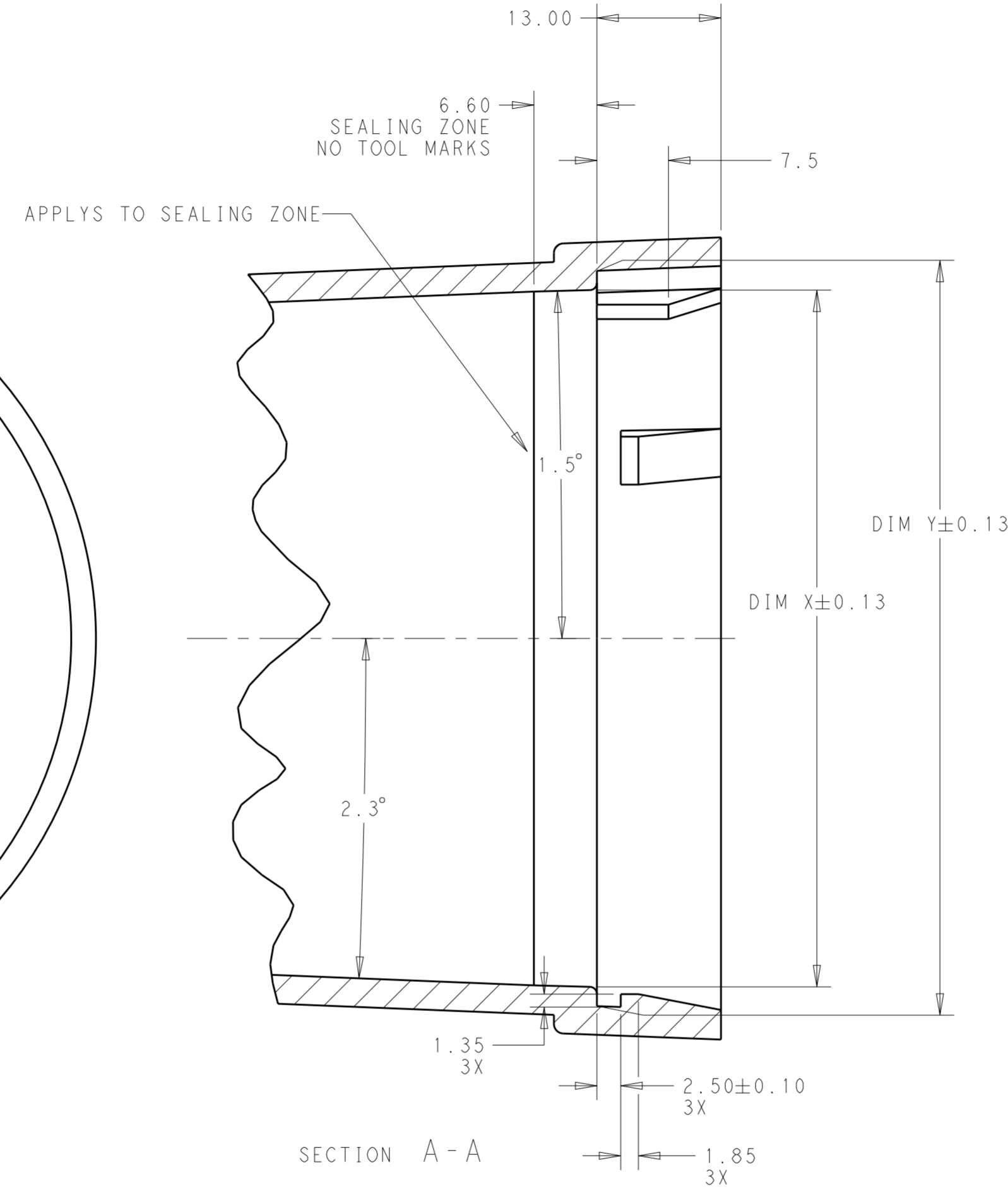
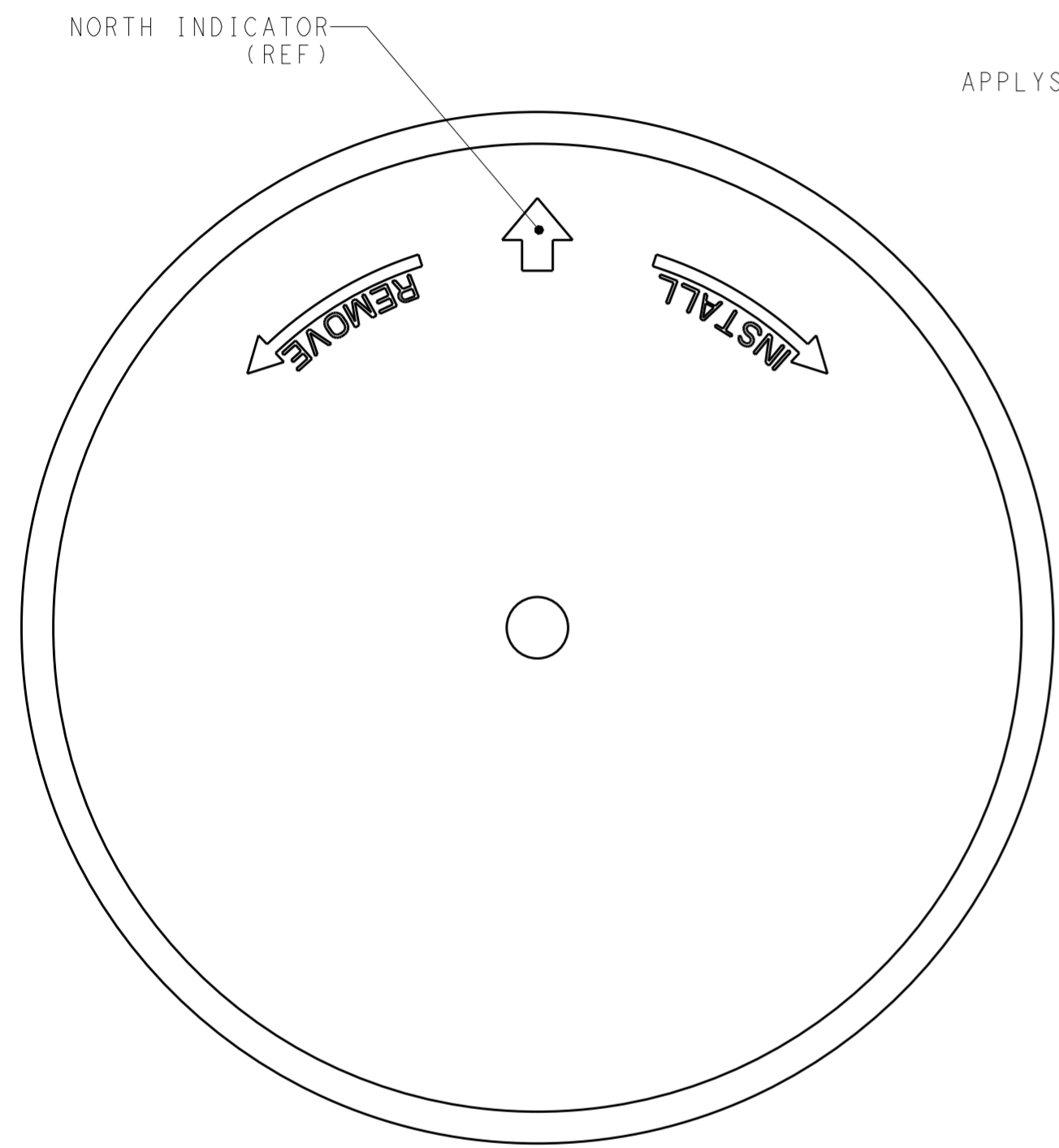


COMPONENT KEEP OUT AREAS
 1-2336396-1 AND 1-2336396-2
 SAME AS
 2336396-1 AND 2336396-2
 EXCEPT WHERE SHOWN



| | | | | |
|--|--|----------------------------------|---|--------------------------|
| THIS DRAWING IS A CONTROLLED DOCUMENT. | | DWN J. SHAFFER 03MAY2018 |  TE Connectivity | |
| | | CHK M. MOSTOLLER 03MAY2018 | | |
| DIMENSIONS: | | APVD - | NAME BASE ASSEMBLY, LIGHT CONTROLLER, SLEEVE COMPATIBLE | |
| mm | TOLERANCES UNLESS OTHERWISE SPECIFIED: | PRODUCT SPEC 108-32125 | SIZE A2 | |
| | 0 PLC ± | APPLICATION SPEC 114-32159 | CAGE CODE - | DRAWING NO. C-2336396 |
| | 1 PLC ±0.2 | WEIGHT - | RESTRICTED TO - | |
| | 2 PLC ±0.13 | CUSTOMER DRAWING | SCALE 2:1 | SHEET 3 OF 5 |
| | 3 PLC ± | | REV A2 | |
| | 4 PLC ± | | | |
| | ANGLES ±3° | | | |
| | FINISH | | | |

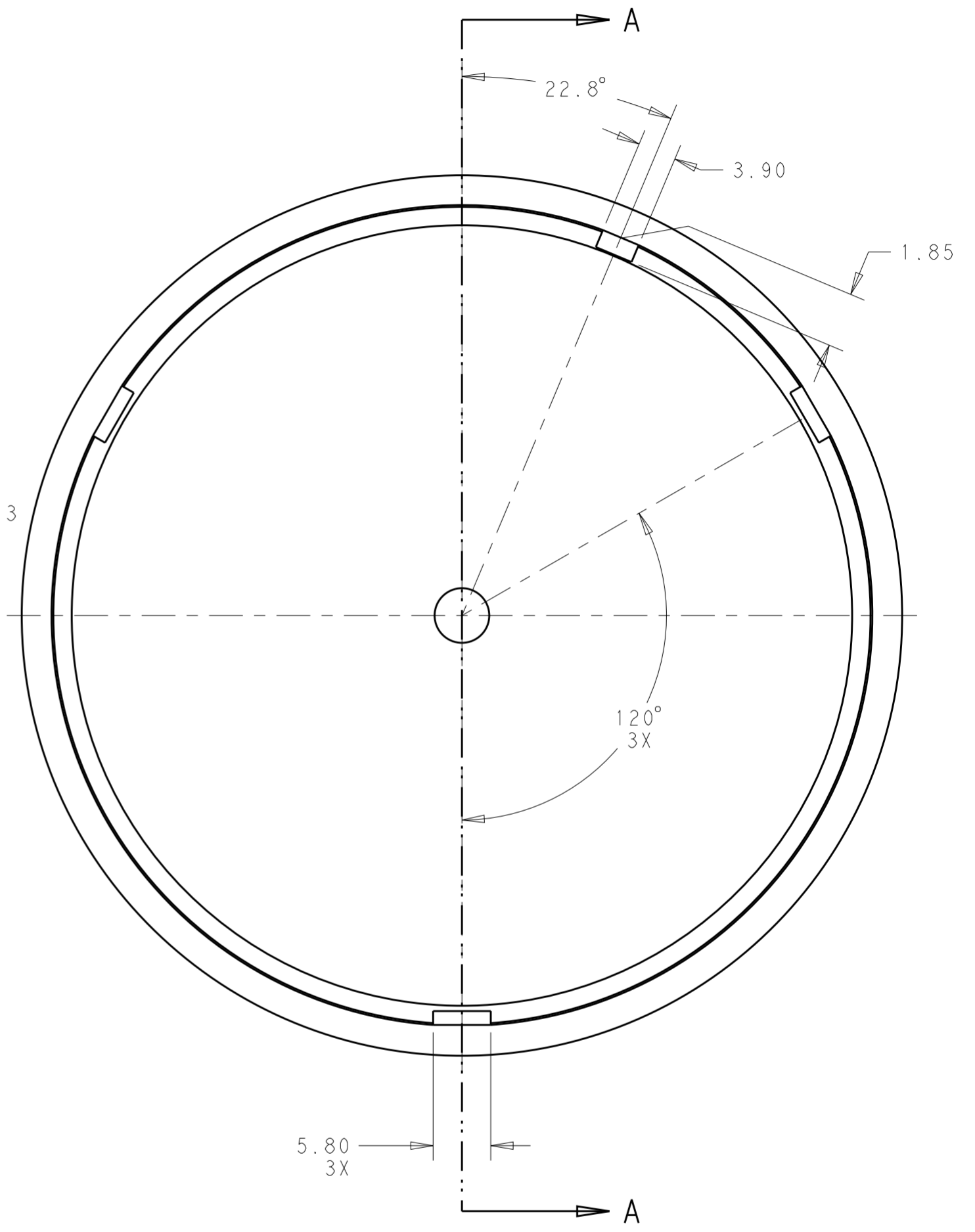
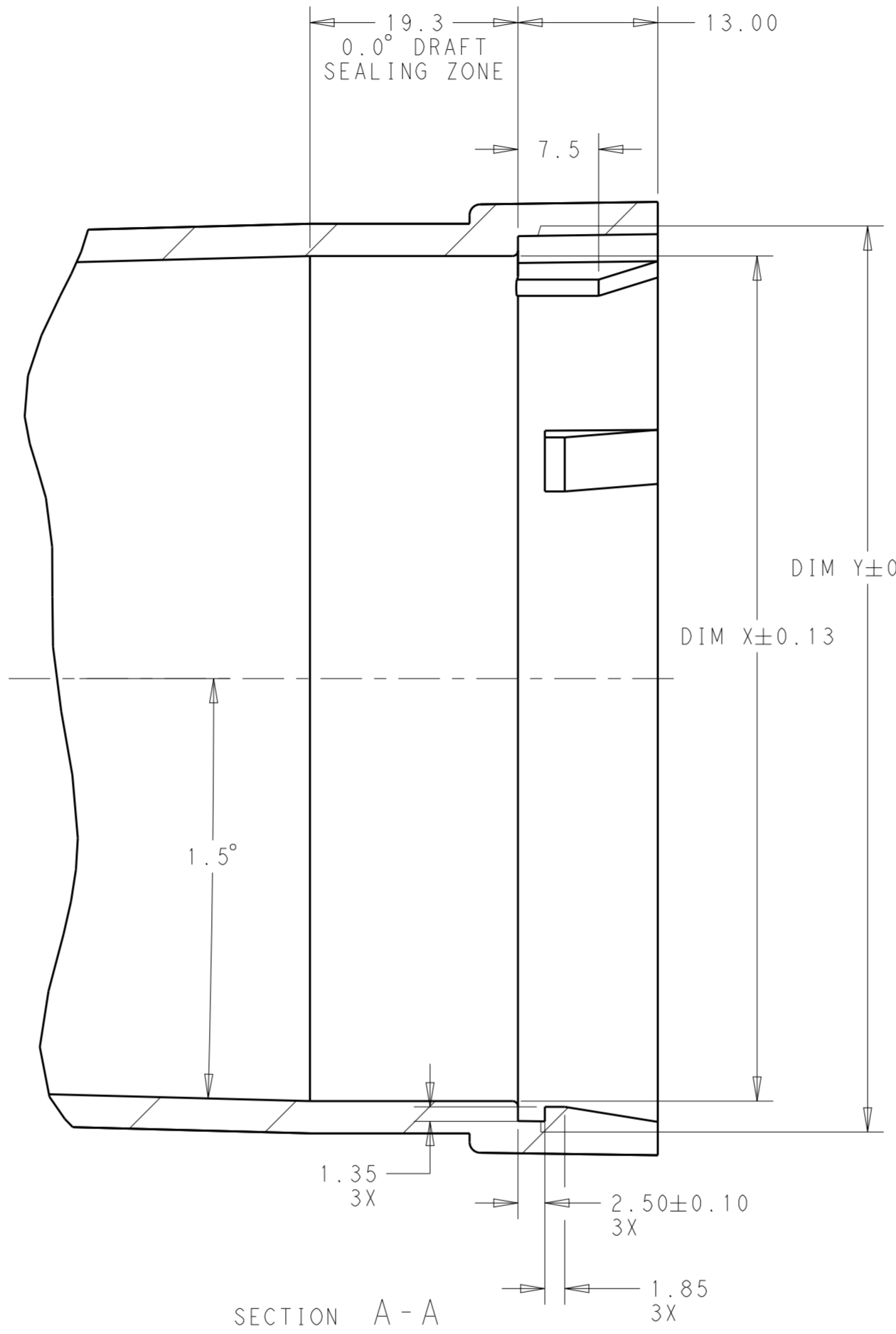
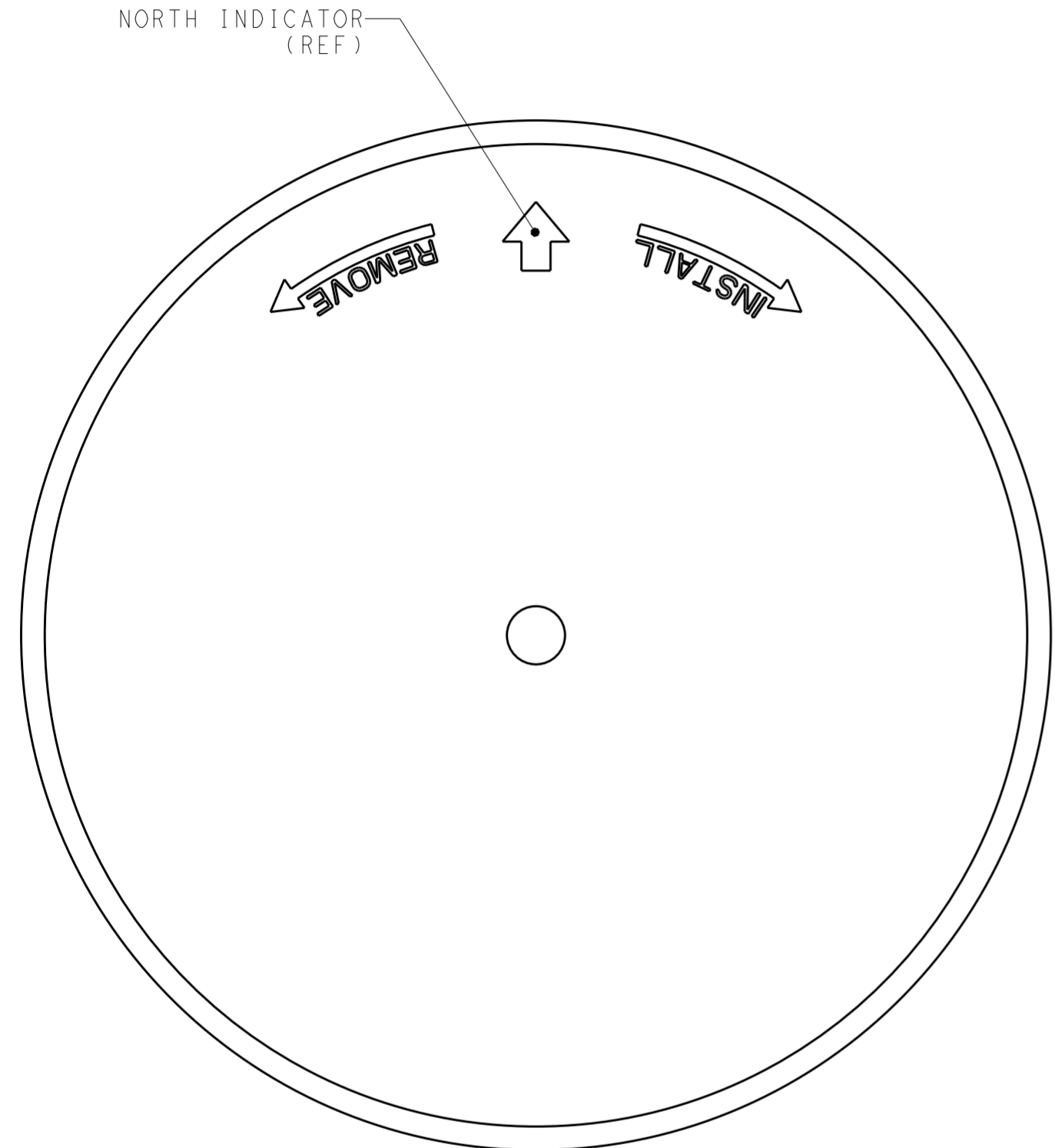
| REVISIONS | | | | |
|-----------|-----|-------------|------|------|
| P | LTR | DESCRIPTION | DATE | APVD |
| - | - | SEE SHEET 1 | - | - |
| | | | | |
| | | | | |



MATING COVER DIMENSIONS
 FOR
 76MM DIAMETER BASES
 (2336396-1, 1-2336396-1)

| | | | | |
|--|--|----------------------------------|--|-------------------------|
| THIS DRAWING IS A CONTROLLED DOCUMENT. | | DWN J. SHAFFER 03MAY2018 | TE Connectivity | |
| | | CHK M. MOSTOLLER 03MAY2018 | | |
| DIMENSIONS: mm | | APVD - | NAME BASE ASSEMBLY, LIGHT CONTROLLER, SLEEVE COMPATIBLE | |
| TOLERANCES UNLESS OTHERWISE SPECIFIED: 0 PLC ± 1 PLC ±0.2 2 PLC ±0.13 3 PLC ± 4 PLC ± ANGLES ±3° FINISH - | | PRODUCT SPEC 108-32125 | RESTRICTED TO - | |
| MATERIAL - | | APPLICATION SPEC 114-32159 | SIZE A2 | DRAWING NO C-2336396 |
| | | WEIGHT - | SCALE 2:1 | SHEET 4 OF 5 |
| | | CUSTOMER DRAWING | REV A2 | |

| REVISIONS | | | | |
|-----------|-----|-------------|------|------|
| P | LTR | DESCRIPTION | DATE | APVD |
| - | - | SEE SHEET 1 | - | - |
| | | | | |
| | | | | |



MATING COVER DIMENSIONS
 FOR
 81MM DIAMETER BASES
 (2336396-2, 1-2336396-2)

| | | | | |
|--|--|--|-----------------|--|
| THIS DRAWING IS A CONTROLLED DOCUMENT. | | DWN J. SHAFFER 03MAY2018 | TE Connectivity | |
| | | CHK M. MOSTOLLER 03MAY2018 | | |
| DIMENSIONS: mm | | TOLERANCES UNLESS OTHERWISE SPECIFIED: 0 PLC ± 1 PLC ±0.2 2 PLC ±0.13 3 PLC ± 4 PLC ± ANGLES ±3° FINISH | | NAME BASE ASSEMBLY, LIGHT CONTROLLER, SLEEVE COMPATIBLE |
| MATERIAL - - | | PRODUCT SPEC 108-32125 APPLICATION SPEC 114-32159 WEIGHT - | | SIZE A2 CAGE CODE - DRAWING NO. C-2336396 RESTRICTED TO - |
| | | CUSTOMER DRAWING | | SCALE 2:1 SHEET 5 OF 5 REV A2 |