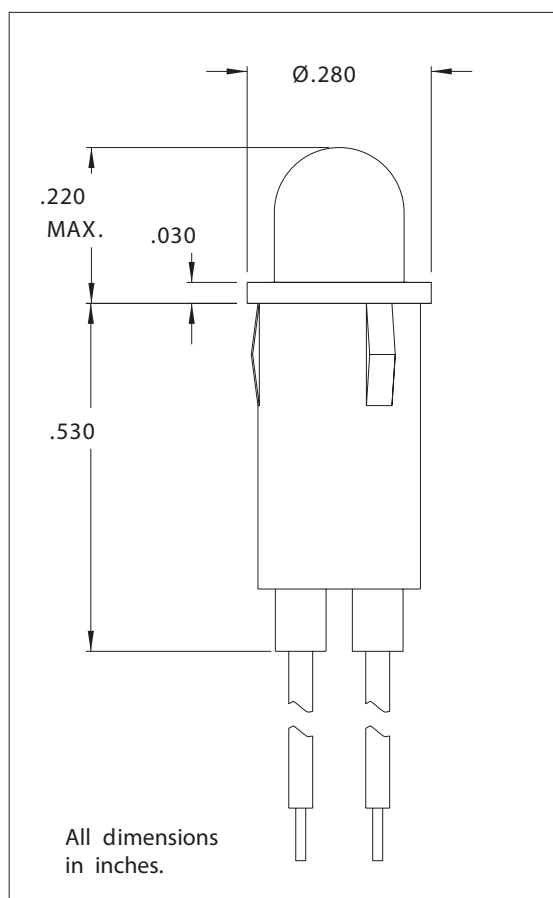




# 5100H Series Panel Mounting LED Indicator Lights with Wire Leads 1/4" Diameter Mounting Hole



## Features

- Super-Brite 30mcd
- Low current
- Built-in resistor chip operates directly off 5 volt or 12 volt supply without external resistor.
- Flashing LED option feature available

Mounting: Will snap-fit into Ø.249"/.254" hole in panels .031"/.062" thick.

Wire Leads: No. 24 AWG, 6" insulated, bonded strands, stripped 1/2"

Anode(+): Red Lead

Housing: Black Nylon

Alternate LEDs are also available in this package as standard variations.

Part Number	Emitted Color	Typical Intensity (mcd)	Rated Current (mA)	Continuous Forward Current Max. (mA)	Forward Voltage		Peak Forward Current @ 1ms-300 PPS (A)	Reverse Breakdown Voltage Min. (V)	Peak Wavelength (nm)
					Typ. (V)	Max. (V)			
5100H1	Red	30	20	35	2.0	3.0	1.0	5	635
5100H3	Amber	20	20	35	2.0	3.0	1.0	5	608
5100H5	Green	30	20	30	2.2	3.0	.09	5	562
5100H6	Blue	3.0	45	50	3.4	3.9	-	5	470
5100H7	Yellow	25	20	35	2.1	3.0	1.0	5	585
5100H1LC	Red	2.0	2	7	1.8	2.2	.007	5	635
5100H5LC	Green	2.5	2	7	1.8	2.2	.007	5	565
5102H1-5V	Red	6.0	10	15	5	7.5	-	5	635
5102H3-5V	Amber	10.0	20	-	5	-	-	5	585
5102H5-5V	Green	10.0	12	15	5	7.5	-	5	565
5102H1-12V	Red	4.0	13	15	12	20.0	-	5	635
5102H3-12V	Amber	4.0	13	15	12	20.0	-	5	583
5102H5-12V	Green	4.0	13	15	12	20.0	-	5	565
5100H1FL	Red	80	20	38-56	9-12	13.0	-	0.5	625
5100H5FL	Green	32	20	38-56	9-12	13.0	-	0.5	565
5100H7FL	Yellow	32	20	38-56	9-12	13.0	-	0.5	590

