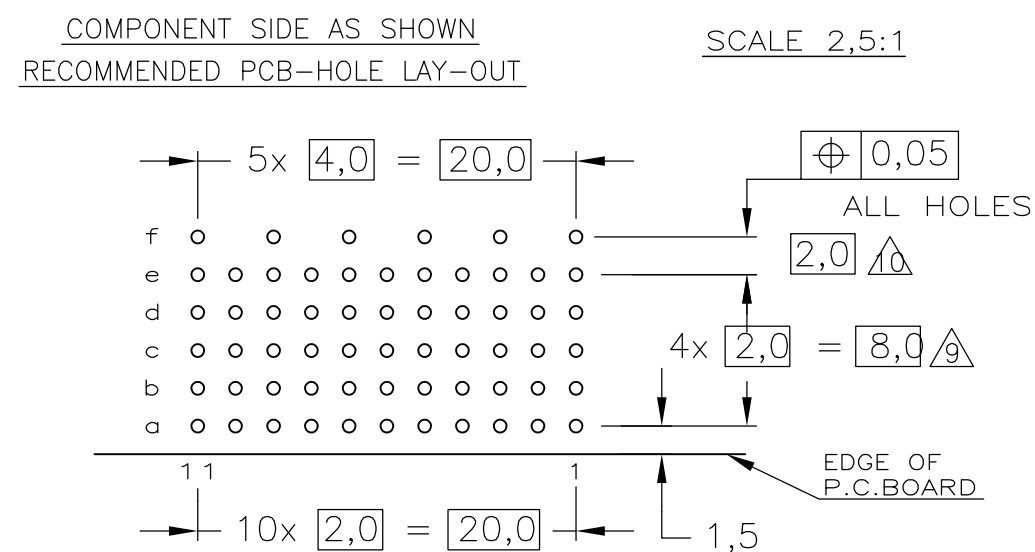
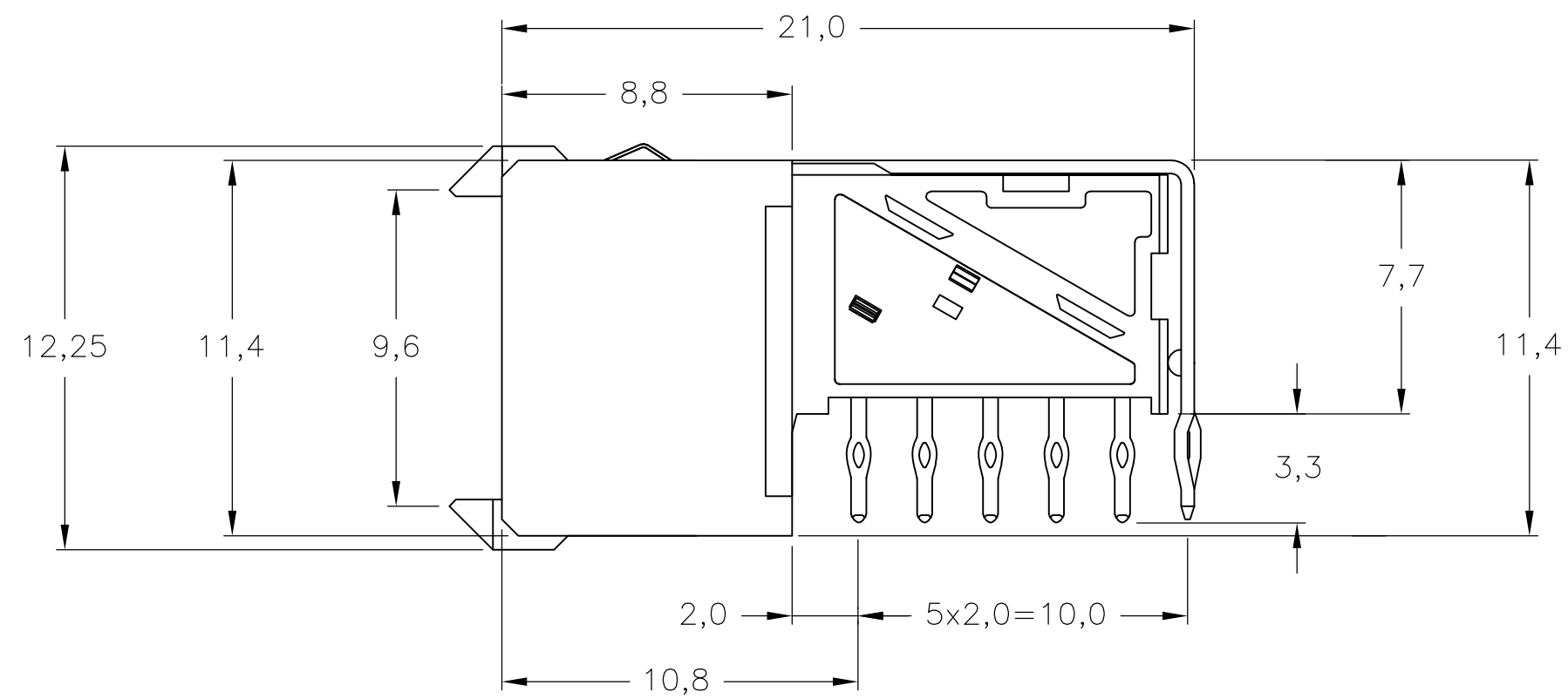
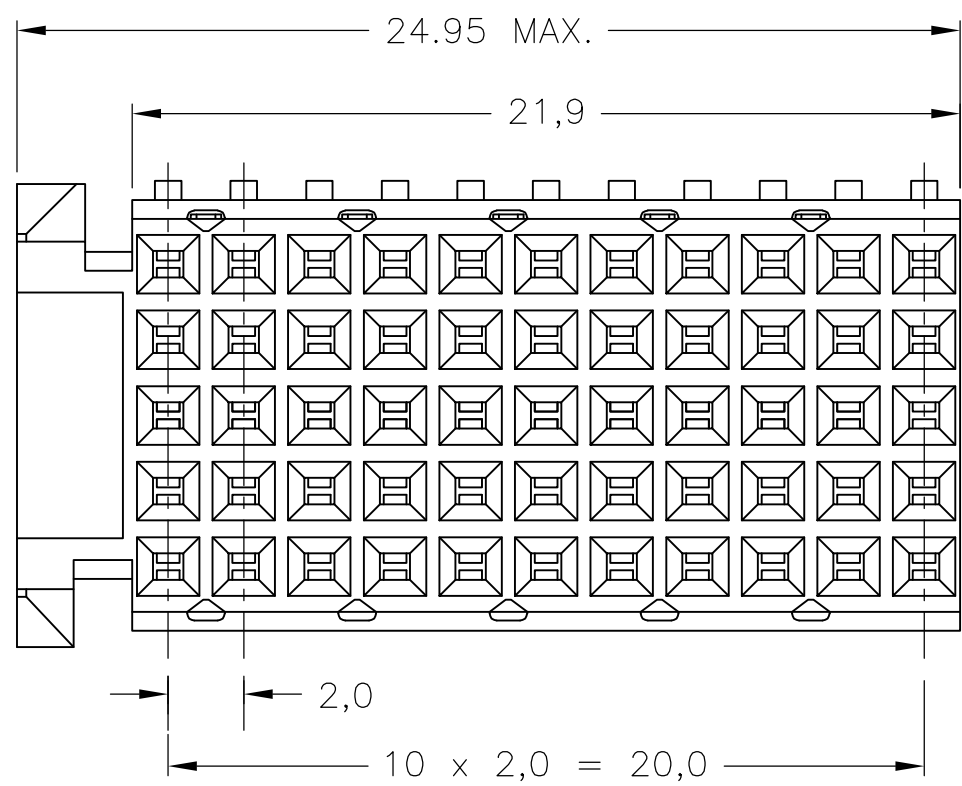
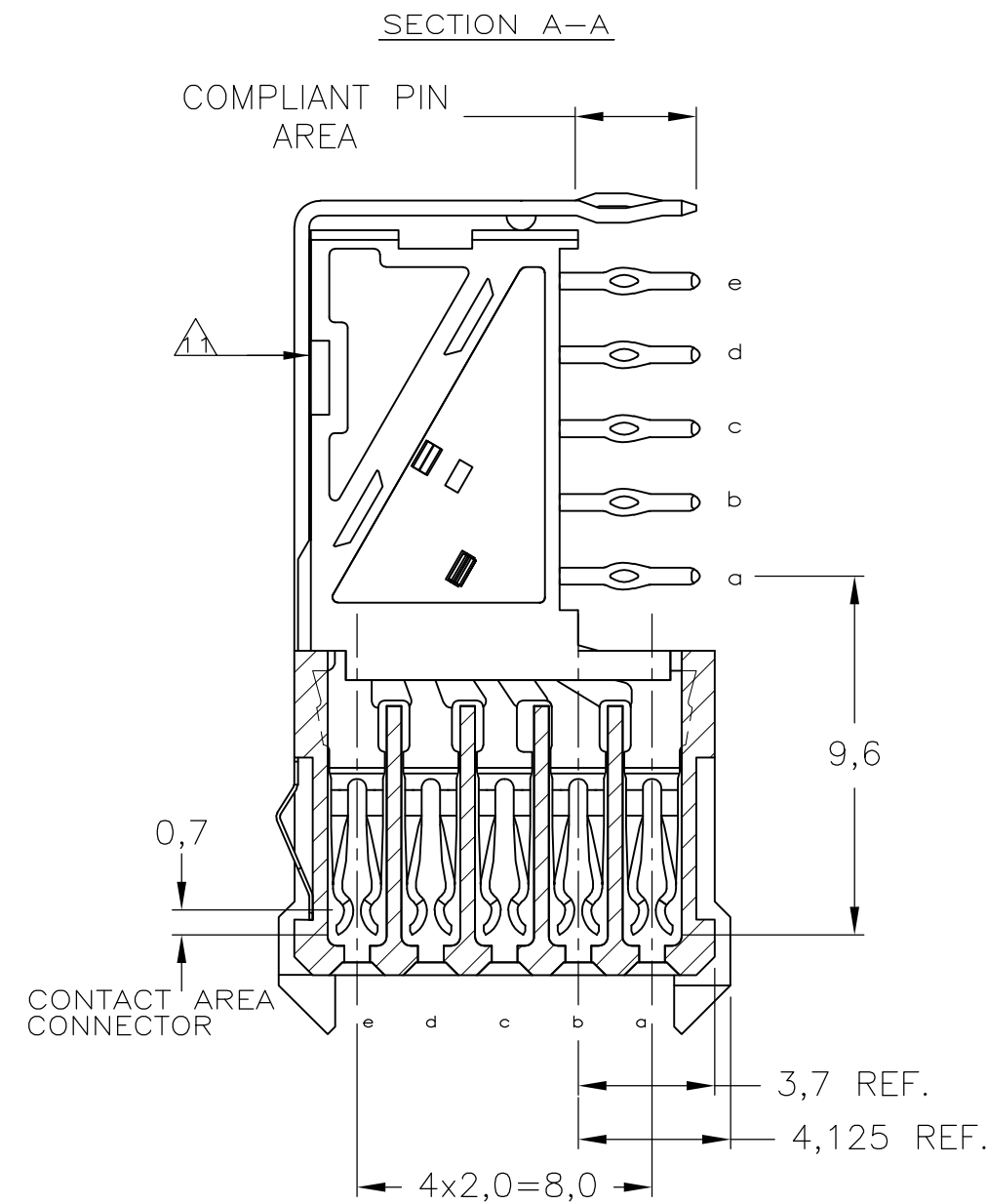
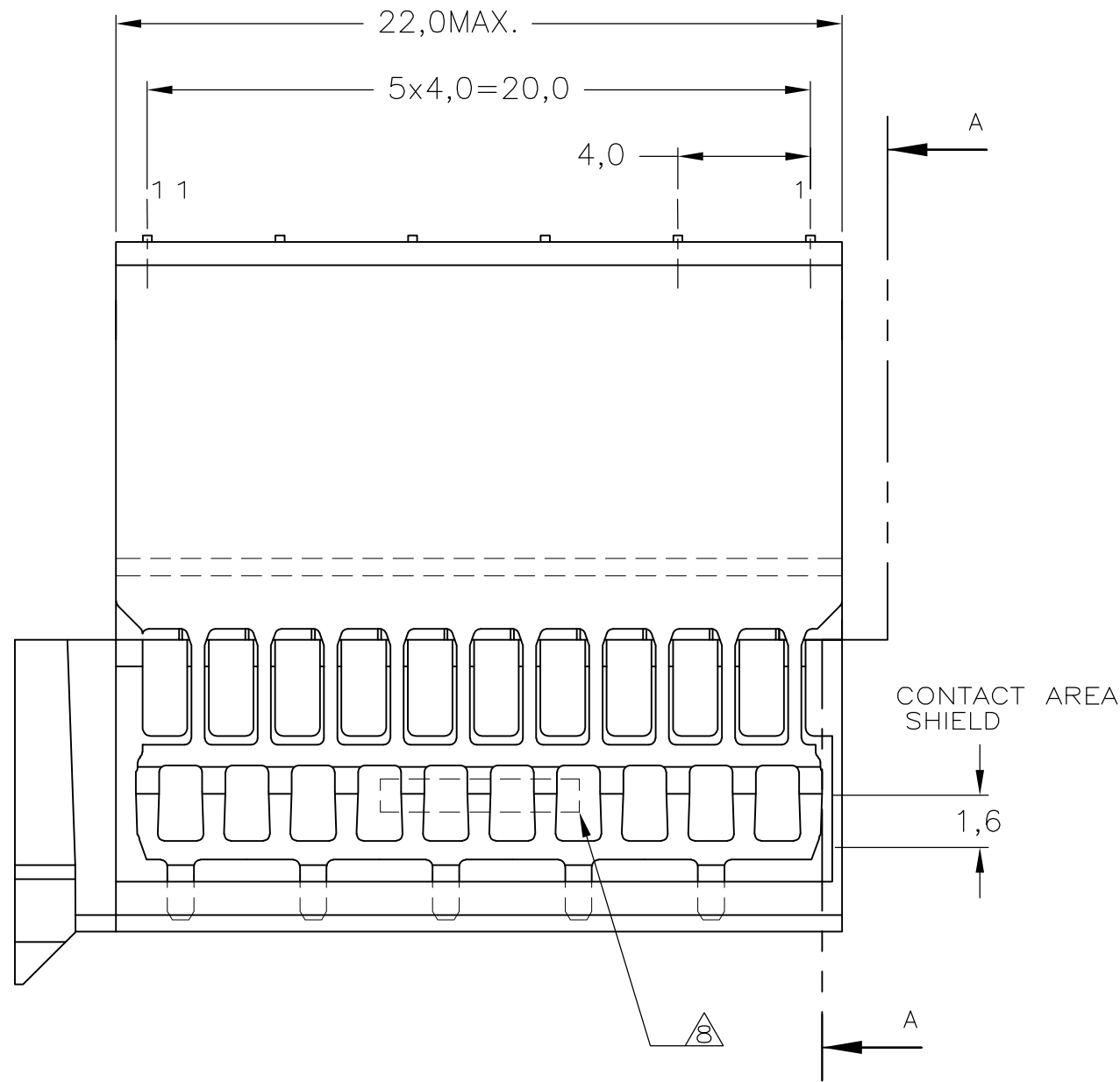


THIS DRAWING IS UNPUBLISHED. RELEASED FOR PUBLICATION
 © COPYRIGHT BY TYCO ELECTRONICS CORPORATION. ALL RIGHTS RESERVED.

LOC	DIST	REVISIONS					
		P	LTR	DESCRIPTION	DATE	DWN	APVD
H	-	A1		ECR-07-024984	19OCT2007	JvH	JB
		B		ECR-10-018652	10SEP10	SW	MQW
		C		ECO-11-024491	13DEC11	SY	MQW

NOTES:

- ⚠ MATERIAL CONTACTS; PHOSPHORBRONZE
MATERIAL SHIELD ; PHOSPHORBRONZE
MATERIAL HOUSING; GLASSFILLED POLYESTER (GRAY)
- ⚠ GENERAL PLATING SPECIFICATION: UNDERPLATING (ENTIRE CONTACT):
1,27µm NICKEL MIN. AND COMPLIANT PIN SECTION: 0,5µm TIN MIN.
FOR PLATING OF MATING SURFACES SEE APPLICABLE
SPECIFICATION REFERENCE FOR EACH DASH NUMBER.
- ⚠ CONFORMS TO ALL TESTING ACCORDING IEC 61076-4-101 PERFORMANCE LEVEL 2.
- ⚠ CONFORMS TO ALL TESTING ACCORDING IEC 61076-4-101 PERFORMANCE LEVEL 1.
- ⚠ CONNECTOR TESTED AND QUALIFIED AGAINST TELCORDIA GR-1217-CORE
QUALITY LEVEL III, CENTRAL OFFICE APPLICATIONS.
- ⚠ CONNECTOR LUBRICATED WITH TELCORDIA GR-1217-CORE APPROVED LUBRICANT.
- ⚠ PLATING SHIELD:
CONTACT AREA: 0,76µm Au MIN.
COMPLIANT PIN SECTION: 0,5µm Sn MIN.
REMAINDER : Ni
- ⚠ ASSEMBLY PRINTED WITH P/N AND DATECODE
THE MARKING CAN APPEAR ON THE FRONT SIDE OR BACK SIDE.
- ⚠ HOLE PATTERN FOR FEMALE CONNECTOR TYPE C
55 PLATED-THROUGH HOLES AT 2x2mm SQUARE GRID
- ⚠ ROW "f" 6 PLATED THROUGH HOLES FOR UPERSHIELD
- ⚠ SHIELD MOUNTED ON CONNECTOR WITH DOUBLE SIDED
ADHESIVE TAPE OR ADHESIVE.
- 12 FITS WITH LOWERSHIELD, BASIC PARTNUMBER : 5352112.



P.C.B. HOLE DIM. COMPLIANT PIN
FOR DETAILS SEE
APPLICATION SPECIFICATION

THIS DRAWING IS A CONTROLLED DOCUMENT.

DIMENSIONS:	TOLERANCES UNLESS OTHERWISE SPECIFIED:
mm	±0.2
MATERIAL	FINISH
-	-

DWN	J.van Hoek	23AUG2007	Tyco Electronics Corporation	
CHK	B.Mooij	23AUG2007	's-Hertogenbosch,5222AR-32	
APVD	J.Broeksteeg	23AUG2007	NAME	
PRODUCT SPEC	108-19082	APPLICATION SPEC		
APPLICATION SPEC	114-19029	WEIGHT		
CUSTOMER DRAWING	SCALE 5:1		SHEET 1 OF 1	REV C

FINISH	MATERIAL	PARTNUMBER
⚠ 3 ⚠	⚠	1857996-9
⚠ 4 ⚠	⚠	1857996-4
⚠ 5 ⚠	⚠	1857996-1

Tyco Electronics
 Z-PACK 2mm HM
 TYPE C - 11 COLUMNS
 PRE-SHIELDED RECEPTACLE