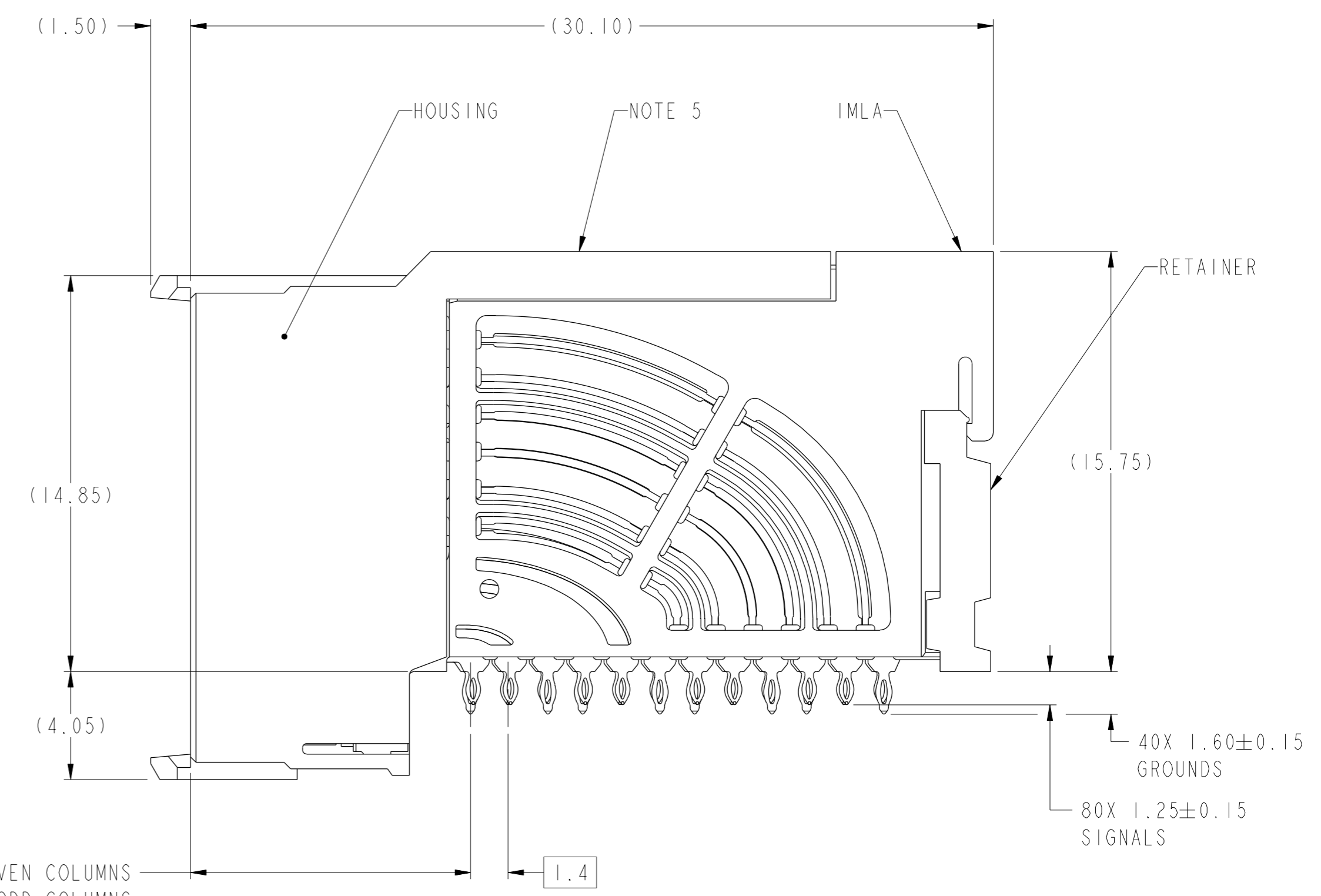
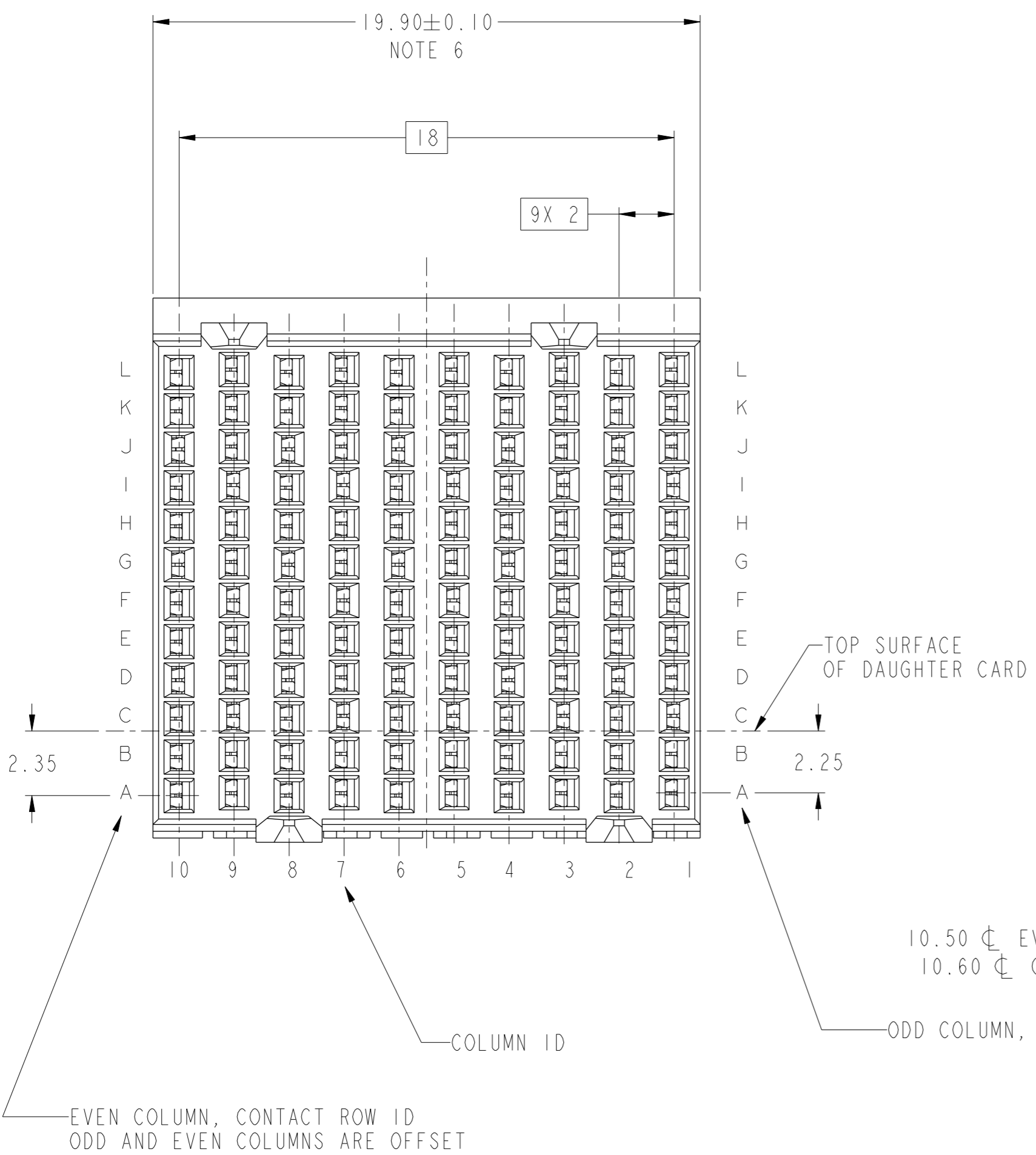


PRODUCT NUMBER
SEE SHEET 3



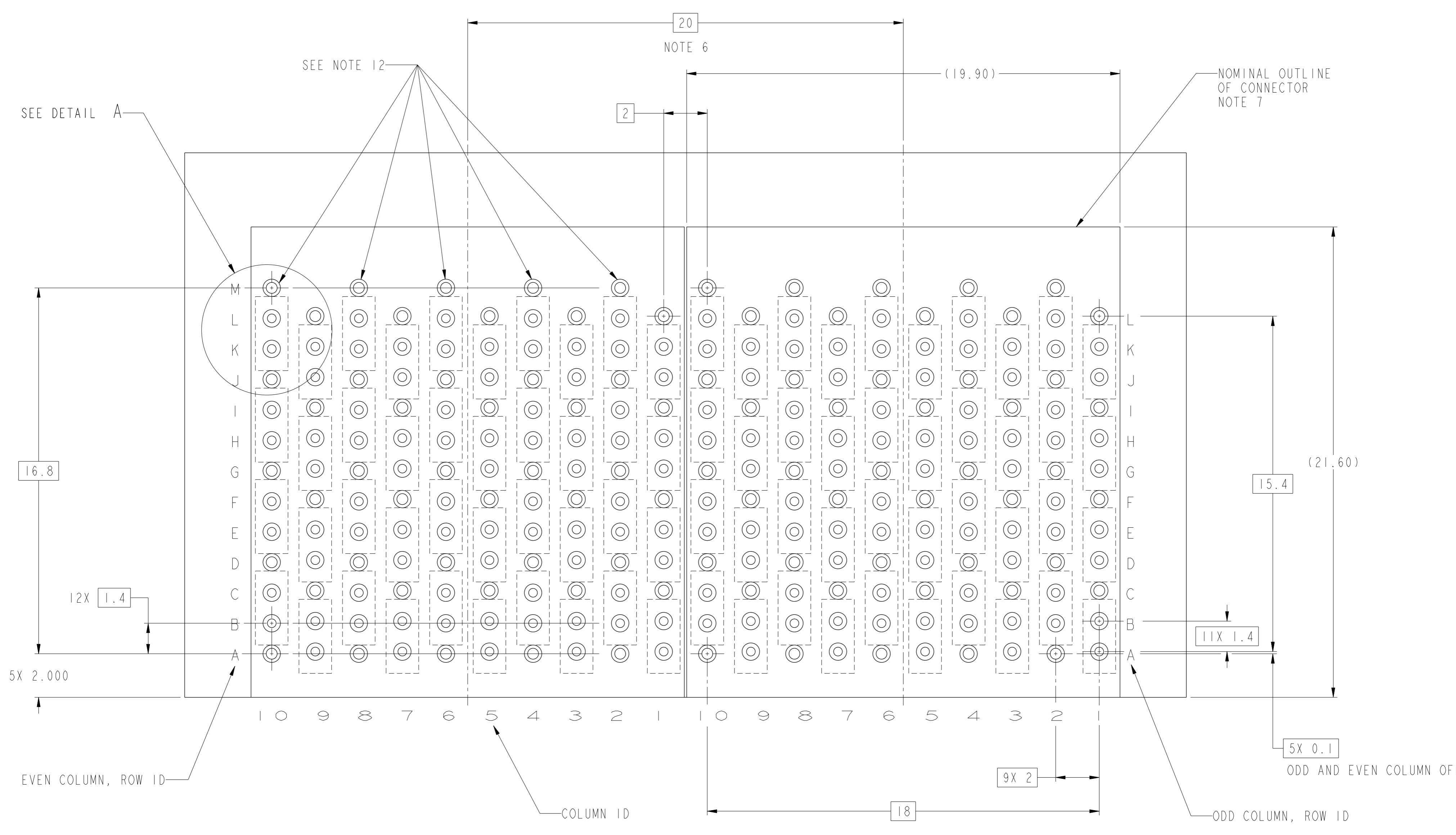
Copyright FCI.
FCI

spec ref	---	dr	D Johnescu	20120302	projection	MM	size	A2	scale	1:1	
tolerance std	ASME Y14.5M	eng	Jackie Chen	20150108	chr	-	ecn no	ELX-DG-19888-1	rel level	Released	
TOLERANCES UNLESS OTHERWISE SPECIFIED		appr	Collins Lu	20150108	product family	AirMax VSE	rel level	Blue	title	AIRMAX VSE R.A. RECEPTACLE ASS'Y, 4 PAIR, 120 POS, 10 IMLA, 20MM	
surface	✓	linear	0.X	±.3	www.fci.com	cat. no.	-	Product - Customer Drw	sheet 1 of 3	rev	B
			0.XX	±.10							
			0.XXX	±.050							
		angular	0°	±°							

PDS: Rev :B

STATUS:Released

Printed: Jan 09, 2015

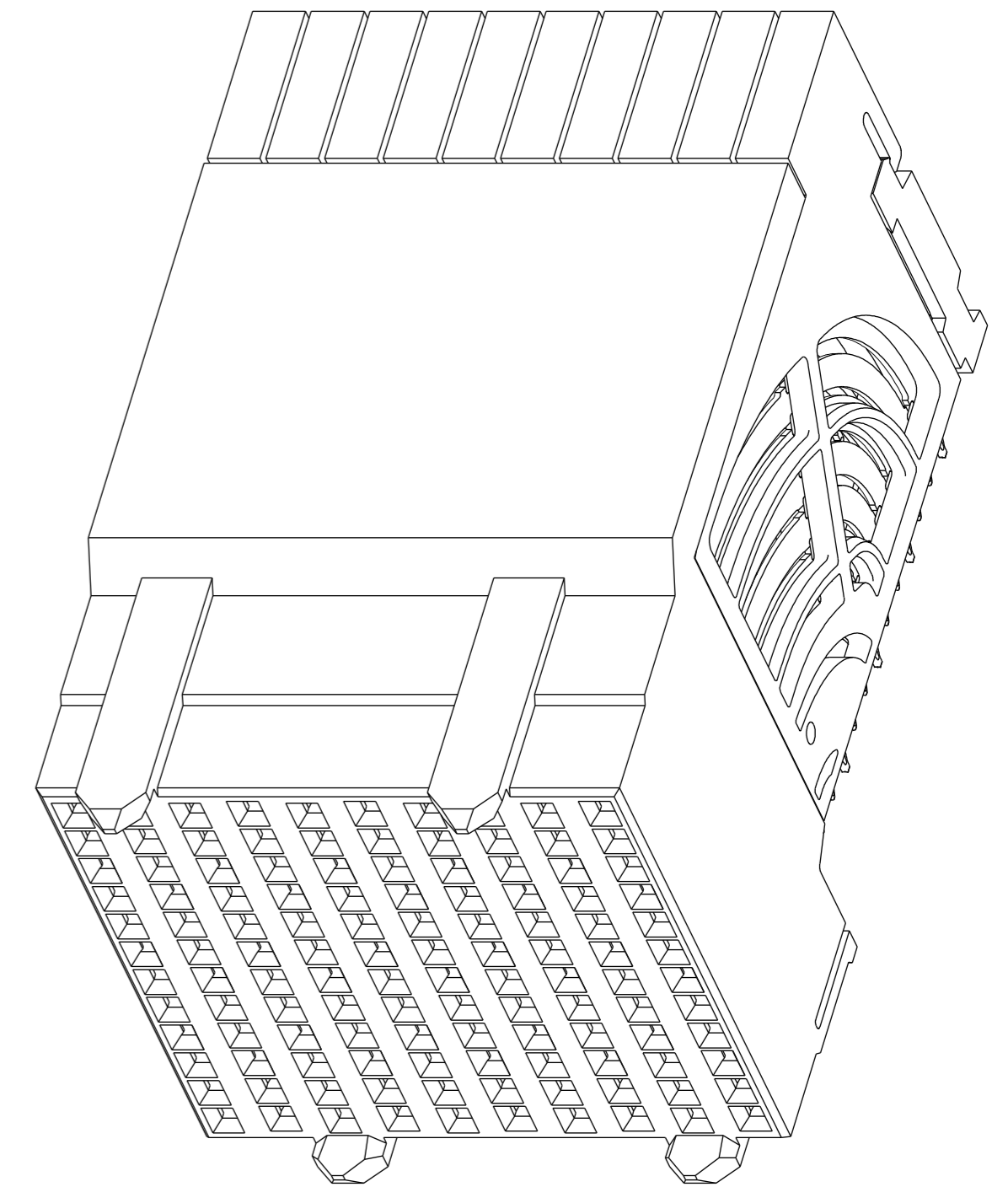


RECOMMENDED PCB LAYOUT
FOR DIFFERENTIAL APPLICATIONS
COMPONENT SIDE
(TWO ADJACENT FOOTPRINTS SHOWN)
NOTES 6, 8, & 11

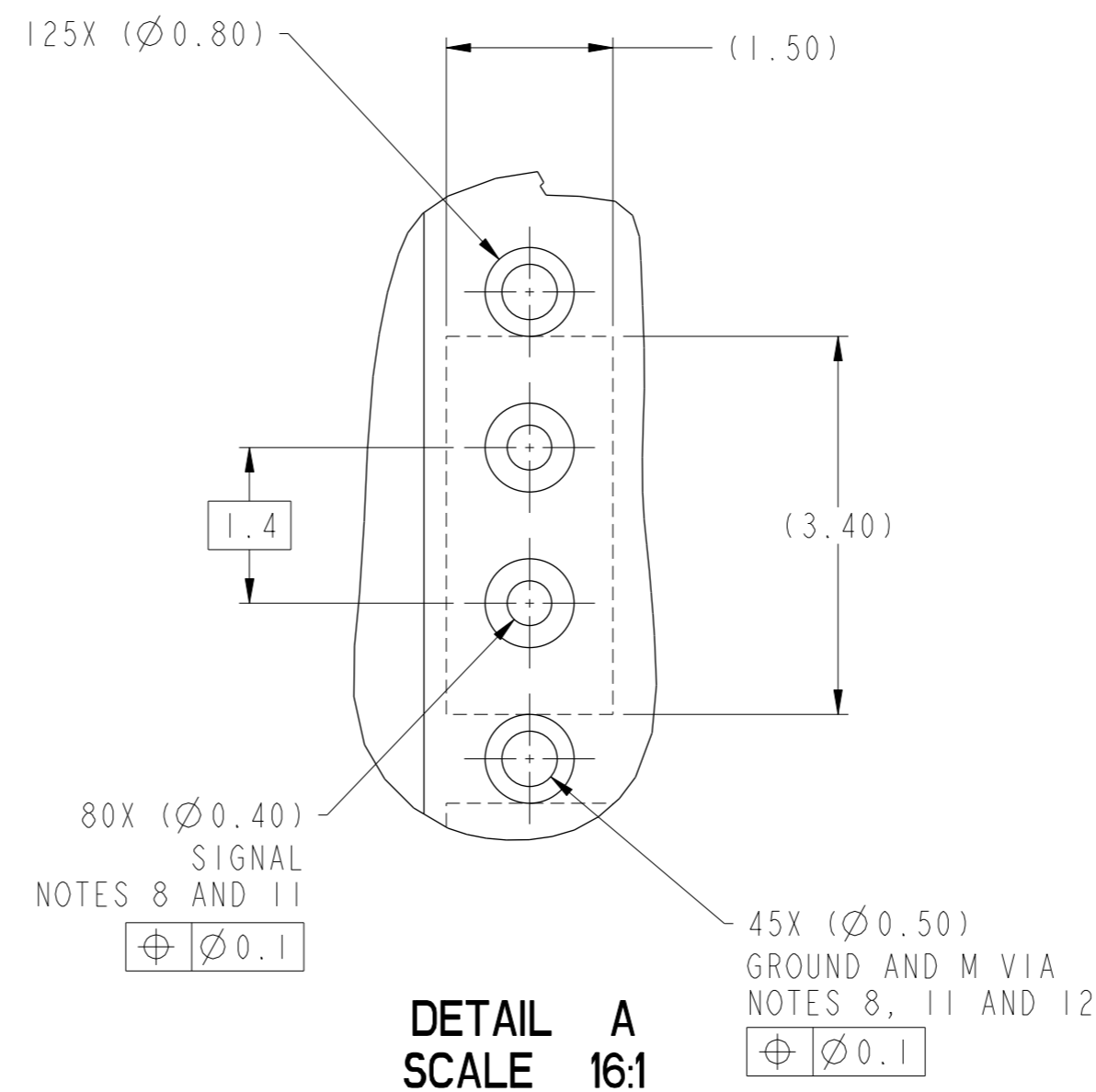
spec ref	---	dr	D Johnescu	20120302	projection	MM	size	A2	scale	1:1											
tolerance std	ASME Y14.5M	eng	Jackie Chen	20150108			ecn no	ELX-DG-19888-1													
TOLERANCES UNLESS OTHERWISE SPECIFIED		chr	-	rel level			Released														
surface	<table border="1"> <tr><td>linear</td><td>0.X</td><td>±.3</td></tr> <tr><td></td><td>0.XX</td><td>±.10</td></tr> <tr><td></td><td>0.XXX</td><td>±.050</td></tr> <tr><td>angular</td><td>0°</td><td>±°</td></tr> </table>	linear	0.X	±.3				0.XX	±.10		0.XXX	±.050	angular	0°	±°	appr	Collins Lu	20150108	product family	AirMax VSE	cat. no.
linear	0.X	±.3																			
	0.XX	±.10																			
	0.XXX	±.050																			
angular	0°	±°																			
				AIRMAX VSE R.A. RECEPTACLE ASS'Y, 4 PAIR, 120 POS, 10 IMLA, 20MM			10115911	rev	B												

PRODUCT NUMBER	PRESS-FIT TAIL PLATING TYPE
10115911-101	TIN/LEAD ALLOY OVER NICKEL
10115911-101LF	TIN OVER NICKEL (LEAD FREE)

- ① - CONNECTOR MATERIALS:
HOUSING: HIGH TEMP THERMOPLASTIC, NATURAL, UL94-V0
IMLA PLASTIC: HIGH TEMP THERMOPLASTIC, BLACK, UL94-V0
CONTACT: COPPER ALLOY
ORGANIZER: HIGH TEMP THERMOPLASTIC, WHITE, UL94-V0
- 2 - CONTACT PLATING:
SEPARABLE INTERFACE:
PERFORMANCE-BASED PLATING, QUALIFIED TO MEET THE REQUIREMENTS OF FCI PRODUCT SPECIFICATION GS-12-0956 INCLUDING TELCORDIA GR-1217-CORE (NOVEMBER 1995) CENTRAL OFFICE TEST SEQUENCE
- PRESS-FIT TAILS: SEE TABLE
- 3 - PRODUCT SPECIFICATION: GS-12-0956
- 4 - APPLICATION SPECIFICATION: GS-20-0305.
- ⑤ - PRODUCT MARKING, (PROTOTYPE, PART NUMBER & LOT CODE), ON THIS SURFACE.
- ⑥ - THE MINIMUM CENTERLINE SPACING BETWEEN ADJACENT MODULES IS 20.0 MM.
- ⑦ - CONNECTOR OUTLINE MAY BE SCREEN PRINTED ONTO CUSTOMER PCB TO BE USED AS A GUIDE FOR MANUAL CONNECTOR PLACEMENT.
- ⑧ - REFER TO CUSTOMER DRAWING 10104444 FOR INFORMATION ON PCB HOLE DIAMETERS AND PLATING OPTIONS
- 9 - LEAD FREE PRODUCT MEETS THE EUROPEAN UNION DIRECTIVES & OTHER COUNTRY REGULATIONS AS DESCRIBED IN GS-22-008
- 10 - PACKAGING MEETS GS-14-920 LEAD FREE LABELING SPECIFICATION.
- ⑪ - GROUND CONTACTS (C,F,I AND L IN ODD COLUMNS AND A,D,G AND J, EVEN COLUMNS) REQUIRE (Ø0.500) FINISHED HOLES. SIGNAL LOCATIONS REQUIRE (Ø0.400) FINISHED HOLES.
- ⑫ - THESE OUTER VIAS (M) ARE OPTIONAL. WHILE NO CONNECTOR EONS ARE PRESSED INTO THESE HOLES, WE RECOMMEND (Ø 0.500) FINISHED HOLES AT THESE LOCATIONS TO PROVIDE GROUND SYMMETRY THROUGH THE PCB



10115911-101 OR -101LF



spec ref	---	dr	D Johnescu	20120302	projection	MM	size	A2	scale	4:1
tolerance std	ASME Y14.5M	eng	Jackie Chen	20150108	chr	-	ecn no	ELX-DG-19888-1	rel level	Released
TOLERANCES UNLESS OTHERWISE SPECIFIED		appr	Collins Lu	20150108	product family		AIRMUX VSE R.A. RECEPTACLE ASS'Y, 4 PAIR, 120 POS, 10 IMLA, 20MM		cat. no.	10115911
surface	linear	0.X	±.3	FCI	www.fci.com	cat. no.	Product - Customer Drw	sheet 3 of 3	rev	B
		0.XX	±.10							
		0.XXX	±.050							
angular	0°	±°								

PDS: Rev :B

STATUS:Released

Printed: Jan 09, 2015