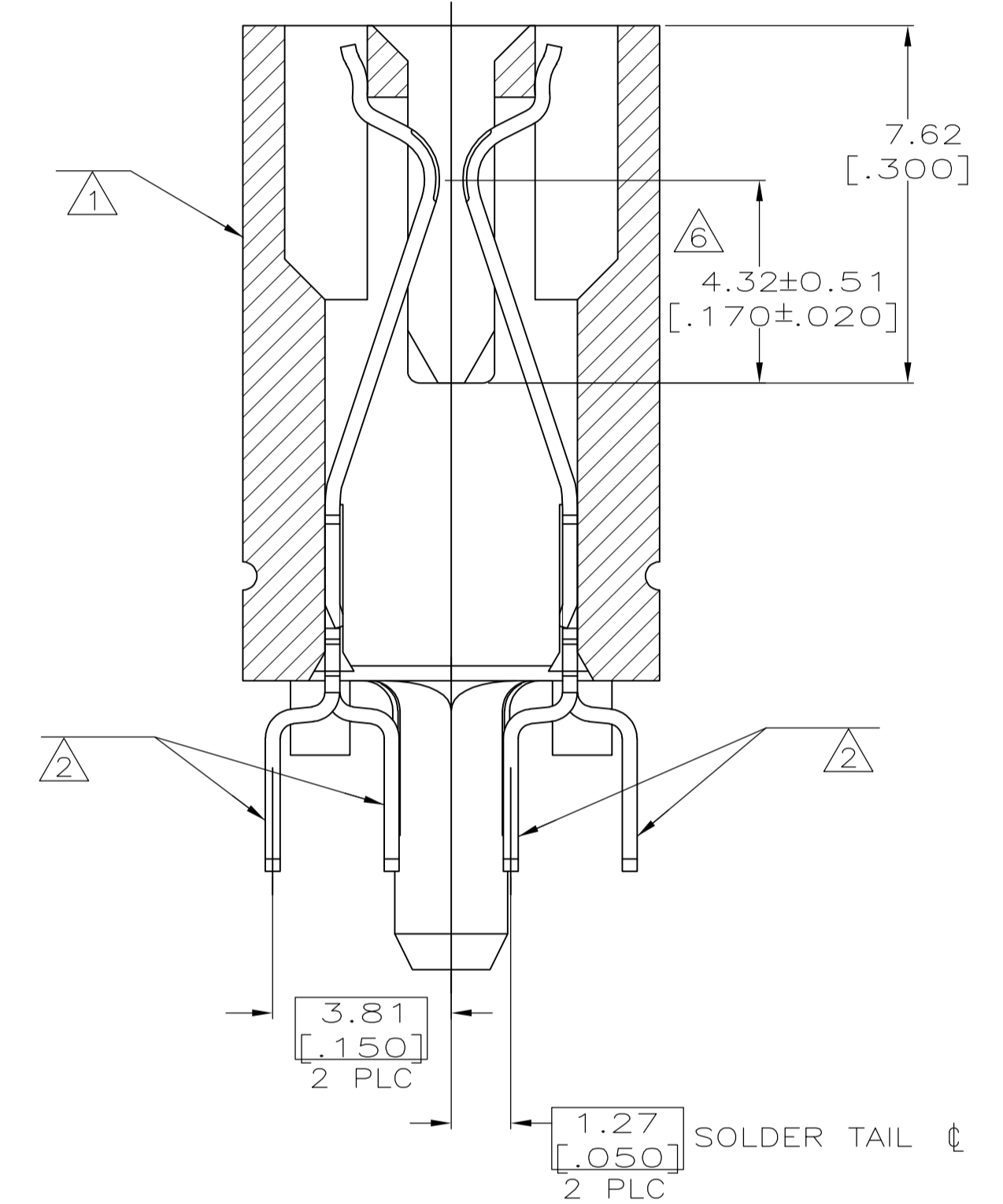
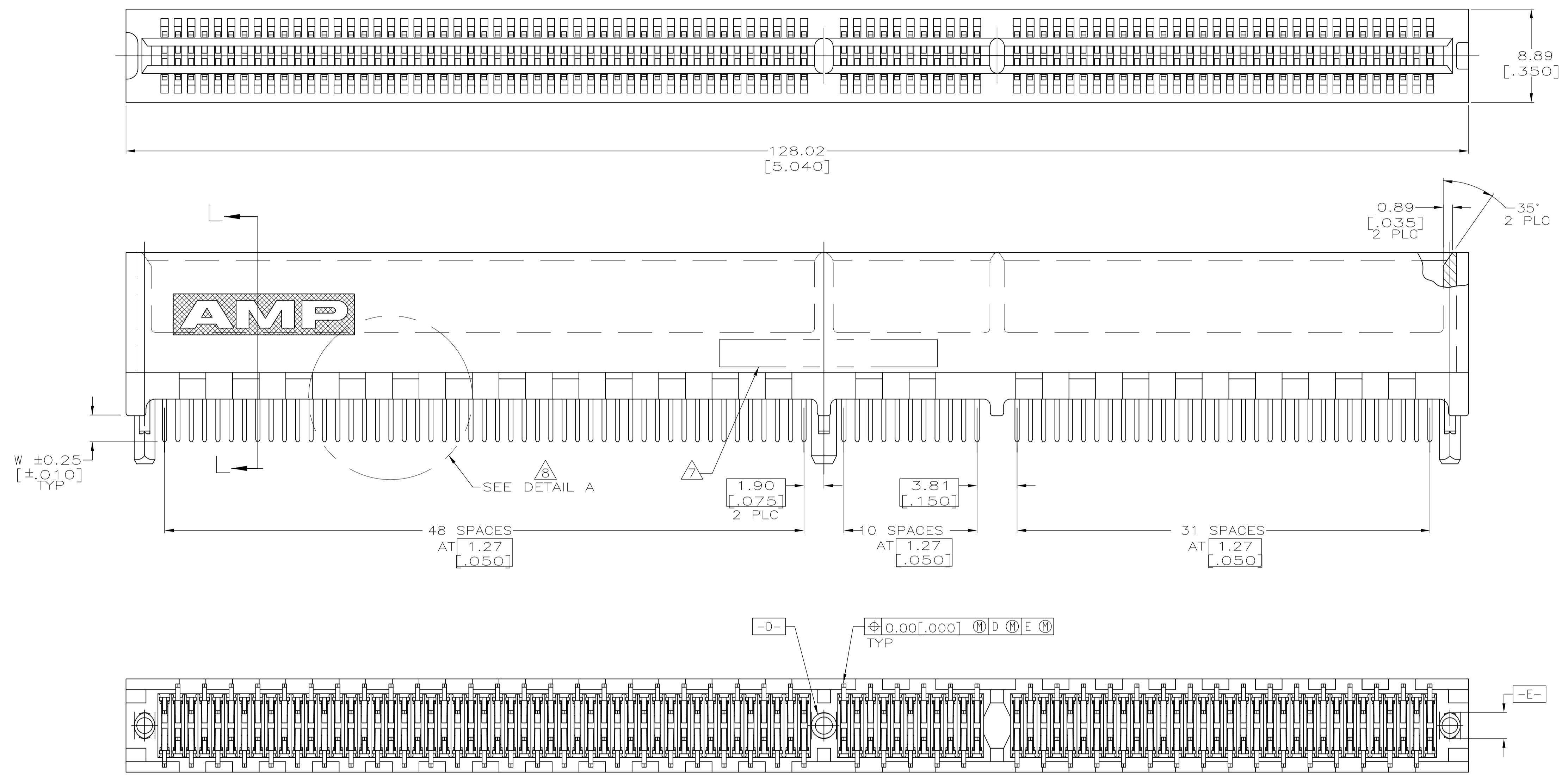
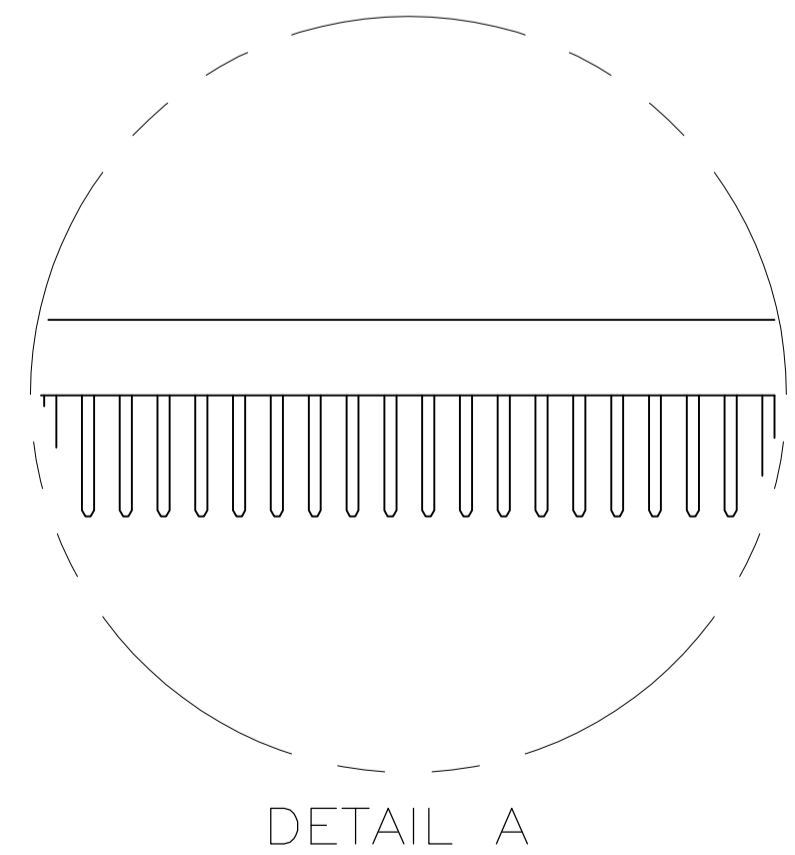


REVISIONS					
P	LTR	DESCRIPTION	DATE	DMN	APVD
A	ECR-16-011870		08AUG2017	FL	SY



SEE SHEET 2 FOR HOLE PATTERN



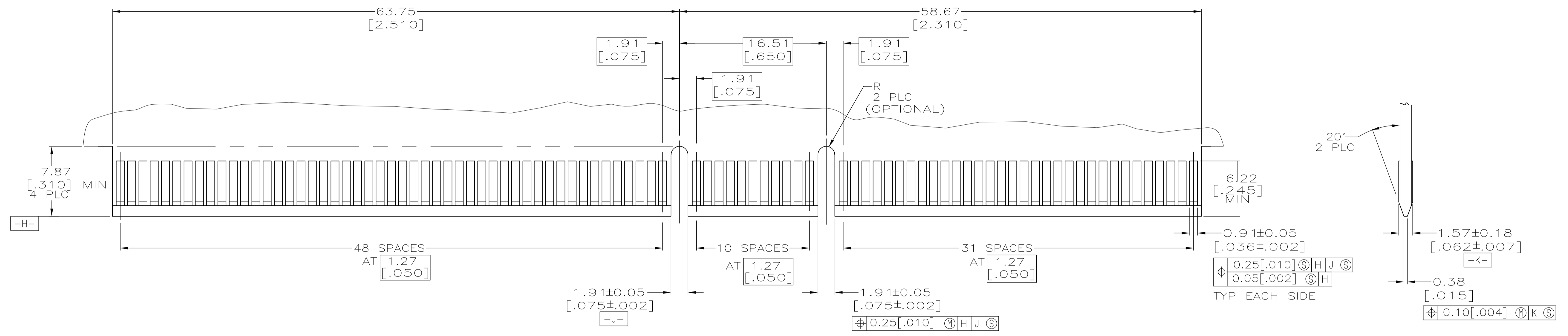
- ① HOUSING: HIGH TEMPERATURE THERMOPLASTIC. COLOR - NATURAL
- ② CONTACT: PHOSPHOR BRONZE.
- ③ CONTACT FINISH: .001269[.000050] MIN NICKEL ALL OVER. GOLD FLASH OVER NICKEL IN CONTACT AREA. .002537[.000100] MIN MATTE TIN OVER NICKEL ON SOLDER TAILS.
- ④ CONTACT FINISH: .001269[.000050] MIN NICKEL ALL OVER. .000375[.000015] MIN GOLD OVER NICKEL IN CONTACT AREA. .002537[.000100] MIN MATTE TIN OVER NICKEL ON SOLDER TAILS.
- ⑤ CONTACT FINISH: .001269[.000050] MIN NICKEL ALL OVER. .000757[.000030] MIN GOLD OVER NICKEL IN CONTACT AREA. .002537[.000100] MIN MATTE TIN OVER NICKEL ON SOLDER TAILS.
- ⑥ DISTANCE FROM CONTACT POINT TO BOTTOM OF CARD SLOT.
- ⑦ AMP PART NUMBER, DATE CODE AND CSA LOGO MARKED IN APPROXIMATE LOCATION SHOWN.
- ⑧ CORED OR SOLID SIDE WALLS ARE AT DISCRETION OF AMP INCORPORATED.
- ⑨ OBSOLETE PARTS: OBSOLETE CIS STREAMLINING PER D.RENAUD/D.SINISI

3.56 [.140]	①	1-5145166-2
3.18 [.125]	②	5145166-8
2.54 [.100]	③	5145166-4
OBSOLETE	④	5145166-2
OBSOLETE	⑤	5145166-1

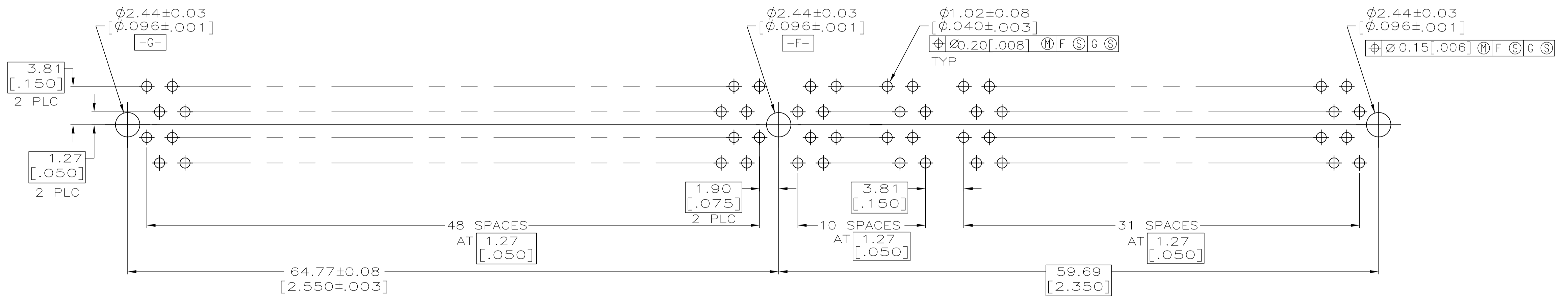
THIS DRAWING IS A CONTROLLED DOCUMENT.

DIMENSIONS: mm [INCHES]	TOLERANCES UNLESS OTHERWISE SPECIFIED: 0 PLC ± - 1 PLC ± - 2 PLC ± 0.25 [.01] 3 PLC ± 0.125 [.005] 4 PLC ± - ANGLES ± ± °	DWG: AL FRANTUM 23 JUN 05 CHK: AL FRANTUM 23 JUN 05 APVD: - NAME: - PRODUCT SPEC: 108-14034 APPLICATION SPEC: 114-26012 WEIGHT: 0.0 CUSTOMER DRAWING	AL FRANTUM 23 JUN 05 AL FRANTUM 23 JUN 05 NAME: - SIZE: A1 CAGE CODE: 00779 DRAWING NO: 5145166 SCALE: 4:1 SHEET: 1 OF 2 REV: A	TE Connectivity CONNECTOR ASSEMBLY, 92 DUAL POSITION, 1.27 [.050] SERIES.
----------------------------	---	---	---	--

REVISIONS				
P	LTR	DESCRIPTION	DATE	OWN
-	-	SEE SHEET 1	-	-



RECOMMENDED MATING BOARD EDGE CONFIGURATION



RECOMMENDED CONNECTOR MOUNTING HOLE PATTERN (CONNECTOR SIDE SHOWN)

THIS DRAWING IS A CONTROLLED DOCUMENT.		DIN AL FRANTUM 23 JUN 05			
DIMENSIONS: mm [INCHES]		TOLERANCES UNLESS OTHERWISE SPECIFIED:			
0 PLC ± - 1 PLC ± - 2 PLC ± 0.25 [.01] 3 PLC ± 0.125 [.005] 4 PLC ± - ANGLES ± - MATERIAL SEE SHEET 1 FINISH SEE SHEET 1		AL FRANTUM 23 JUN 05 AL FRANTUM PRODUCT SPEC 108-14034 APPLICATION SPEC 114-26012 WEIGHT - CUSTOMER DRAWING		NAME CONNECTOR ASSEMBLY, 92 DUAL POSITION, 1.27 [.050] SERIES, SIZE CAGE CODE DRAWING NO. A1 00779 C=5145166 RESTRICTED TO - SCALE 4:1 SHEET 2 OF 2 REV A	