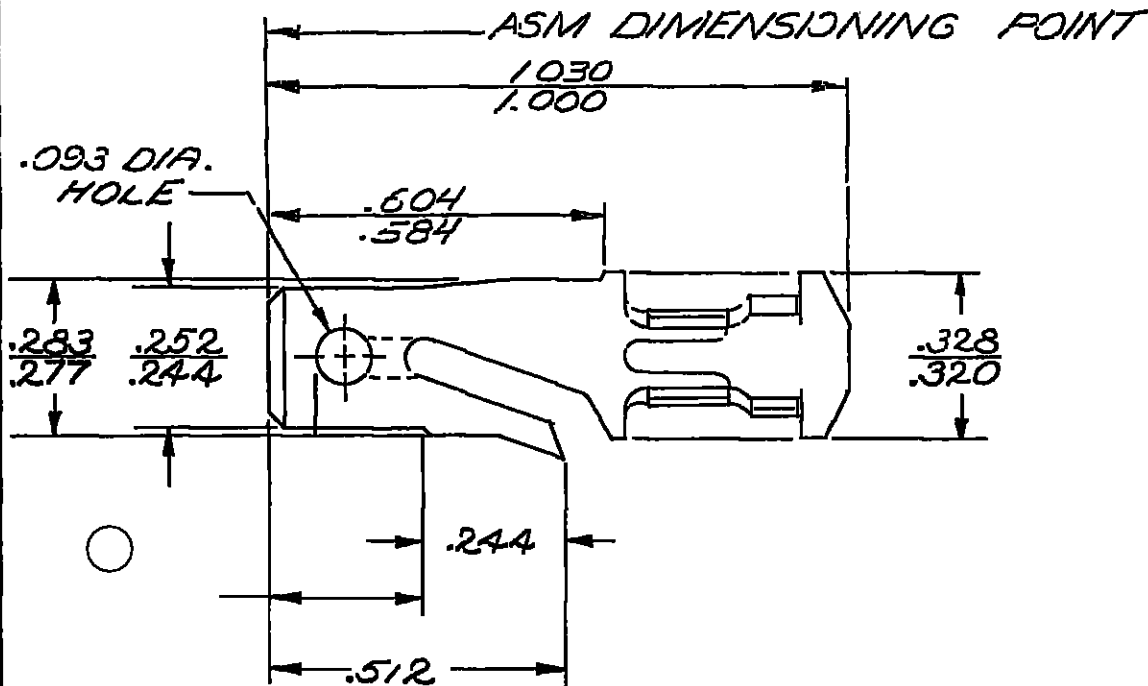


PACKARD ELECTRIC DIVISION
 GENERAL MOTORS CORPORATION
 WARREN, OHIO

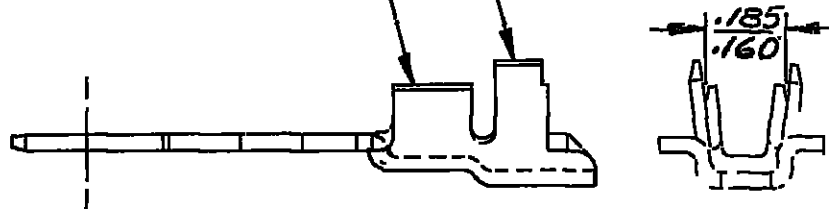
DO NOT SCALE

THIS DRAWING AND DESIGN HEREOF CONSTITUTE A PROPRIETARY DESIGN OF PACKARD ELECTRIC DIVISION AND IS NOT TO BE DUPLICATED OR REPRODUCED WITHOUT AUTHORITY OF PACKARD ELECTRIC DIVISION



CONDUCTOR WINGS FOR 2.0-1.0 MM² CABLE.

INSULATION WINGS FOR 3.05MM MAX. INSULATION DIA.



C02D1582

-OUTLINE DRAWING-

PART NO **2971962** SIZE **A**

| DATE | SYM | REVISION RECORD | C/N NO |
|---------|------|--|--------|
| 6-15-60 | ∞ | VIEW & .052 DIM. ADDED | 1808 |
| 9-13-66 | ∞ | DIM. & DIMENSIONING POINT REVISED. | 25293 |
| | | MAT'L. SPEC. WAS .032 BRASS-TIN PLATED | |
| 5-9-68 | ∞ | WAS .65/.3 | 32961 |
| 8-6-69 | ∞ | 2962864 D" SIZE SPT#1 WAS 2962864-D | 36500 |
| 04SE79 | - | CABLE REVISED TO METRIC | 70645 |
| 01SE82 | -- | PICTURE REVISED | 82155 |
| 01AU83 | AZ | REV SYM ADVANCE | 86126 |
| 180C05 | AZ11 | REMOVED DIM (1 PLC) | 273766 |

CODE NO **6900**
 TOLERANCE UNLESS OTHERWISE SPECIFIED
 DECIMAL ±.005
 FRACTIONAL
 ANGULAR ± 2°

DWG DATE **3-18-60** SCALE **NONE** DR **T. ORR**
 ROUTING
 DEPT
 OUTST
 REFERENCE
 2962864" D" SIZE SPT#1
 CK **Set 3-19-60**
 APPR
 APPR **Howards**
 APPR

MATERIAL SPEC
 .0320 THK. SAE CA-260 BRASS
 1/2 HARD-TIN PLATED
 NAME **TERMINAL-MALE-'56 SERIES**
 CODE NO

PART NO **2971962** SIZE **A**