

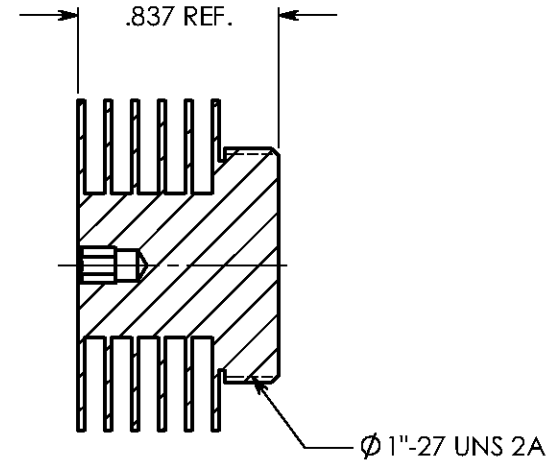
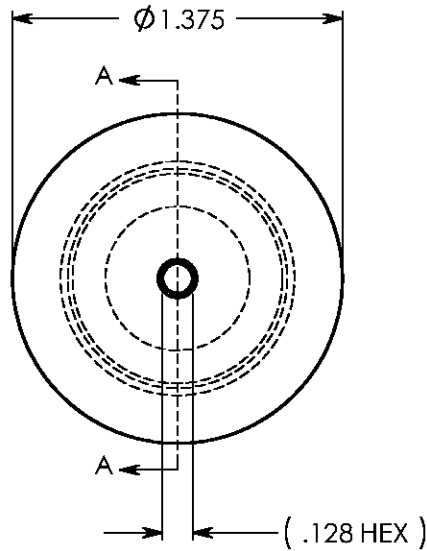
CONFIDENTIAL PROPERTY OF TYCO ELECTRONICS. NOT TO BE DISCLOSED TO OTHERS. REPRODUCED OR USED FOR ANY PURPOSES EXCEPT AS AUTHORIZED IN WRITING BY AN AUTHORIZED OFFICIAL OF TYCO. MUST BE RETURNED TO TYCO ON DEMAND, ON COMPLETION OF ORDERS OR OTHER PURPOSES FOR WHICH LENT.

REF PART NO:

REVISION(S)

LTR	DESCRIPTION	INIT	APP'D
A	NEW RELEASE	K.B 4/11/99	C.R 4/11/99
B	REDRAWN	K.B 9/12/99	C.R 9/12/99
C	ECO#206	K.B 6/16/00	C.R 6/16/00
D	ECN: 0S60-0003-04	E.T 1/8/04	C.R 1/8/04
E	ECN: 0S60-0152-05	E.T 5/25/05	B.P 5/25/05

CUSTOMER DRAWING



SECTION A-A

P/N	FINISH
1542198-4	CLEAR IRIDITE SALEABLE PACKAGED VERSION

TOLERANCES UNLESS OTHERWISE SPECIFIED	CAD GENERATED DRAWING.		tyco / <i>Electronics</i> Attleboro Falls Massachusetts 02783			
ANGLES = ± 1°	DO NOT MANUALLY UPDATE		DESCRIPTION	HEAT SINK (HTS487)		
FRACTIONS = ± .02	APPROVALS	DATE				
.XX = ± .010	DRAWN: K.B	10/23/01	DIMENSIONS ARE IN: INCHES	SCALE: 1.25:1	TYCO PART NO: SEE TABLE	SHEET: 1 OF 1
.XX X = ± .005	CHECKED: C.R	10/23/01				
MATERIAL: ALUM.	APP'D BY:		THIRD ANGLE PROJECTION	SIZE: A	DWG. NO. C-1542198	REV: E
FINISH: SEE TABLE					PATH: N:\ENGV\PART NUMBERS\HEAT SINK\HTS487	