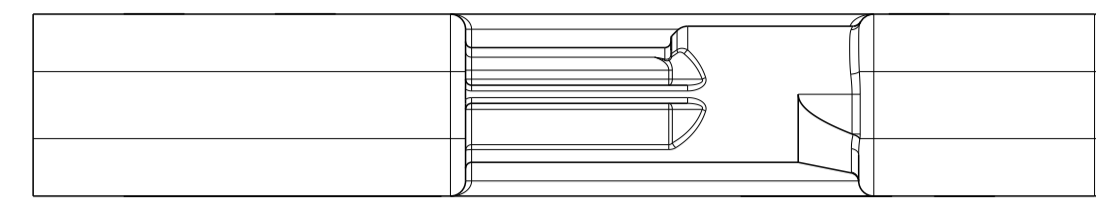
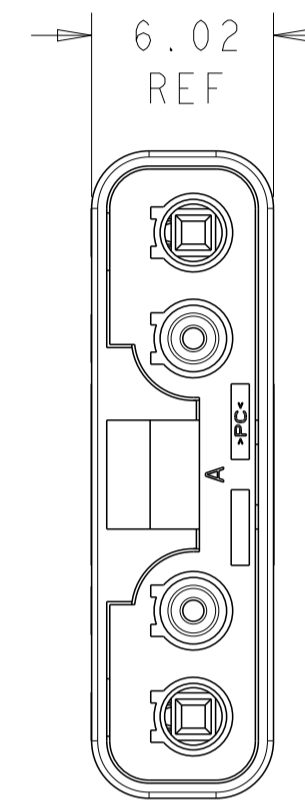
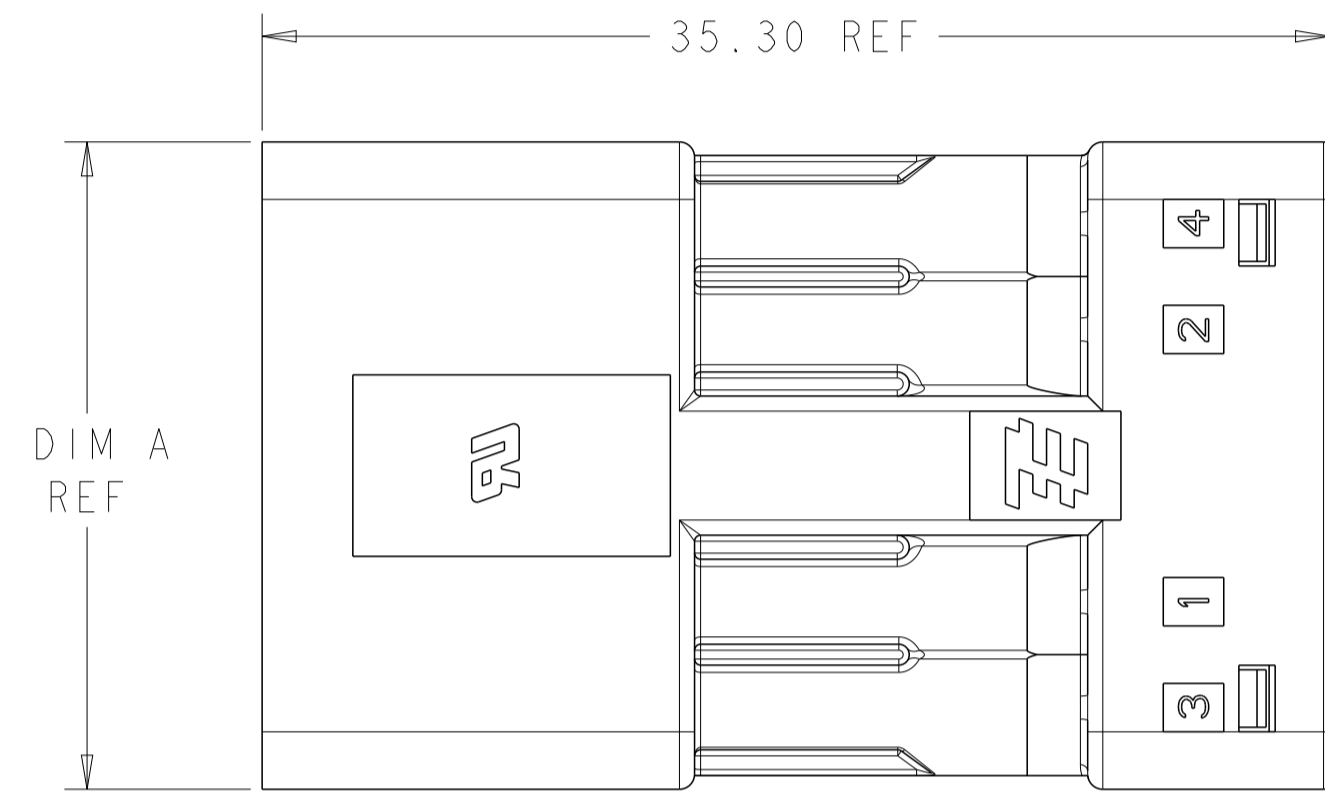
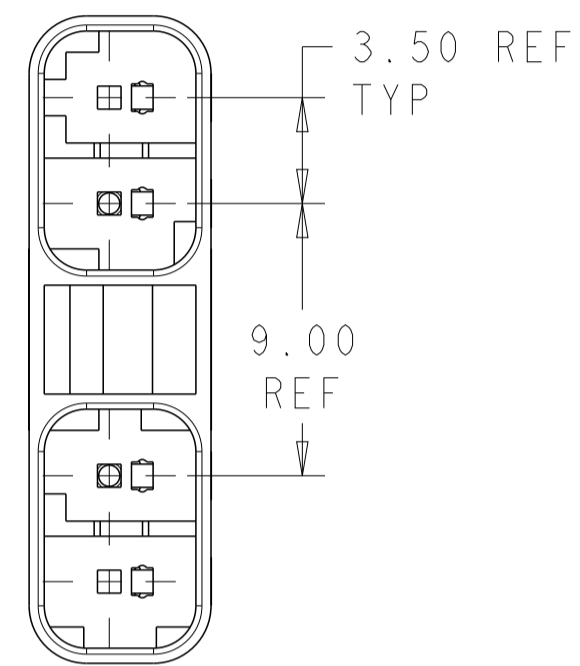


LOC		DIST		REVISIONS			
P	LTN	DESCRIPTION	DATE	DMN	APVD		
A1		REVISED PER ECO-11-004820	11MAR2011	RK	HMR		
A2		REVISED PER ECR-12-017779	19OCT2012	RS	DD		

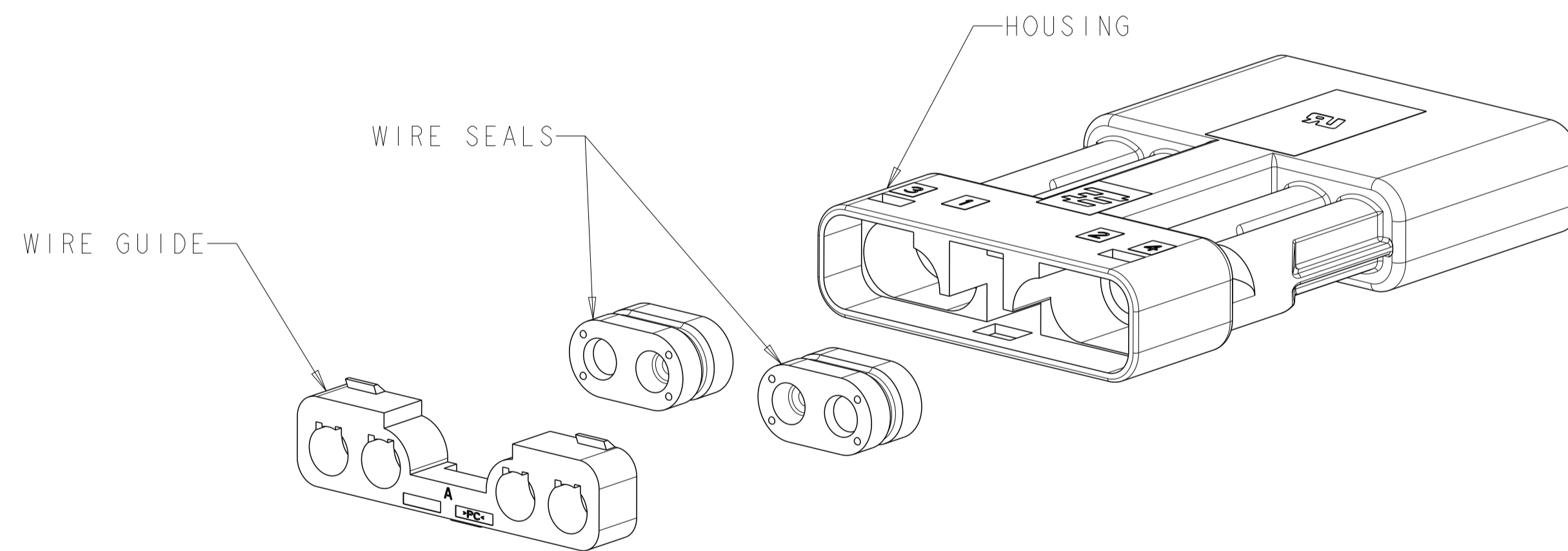
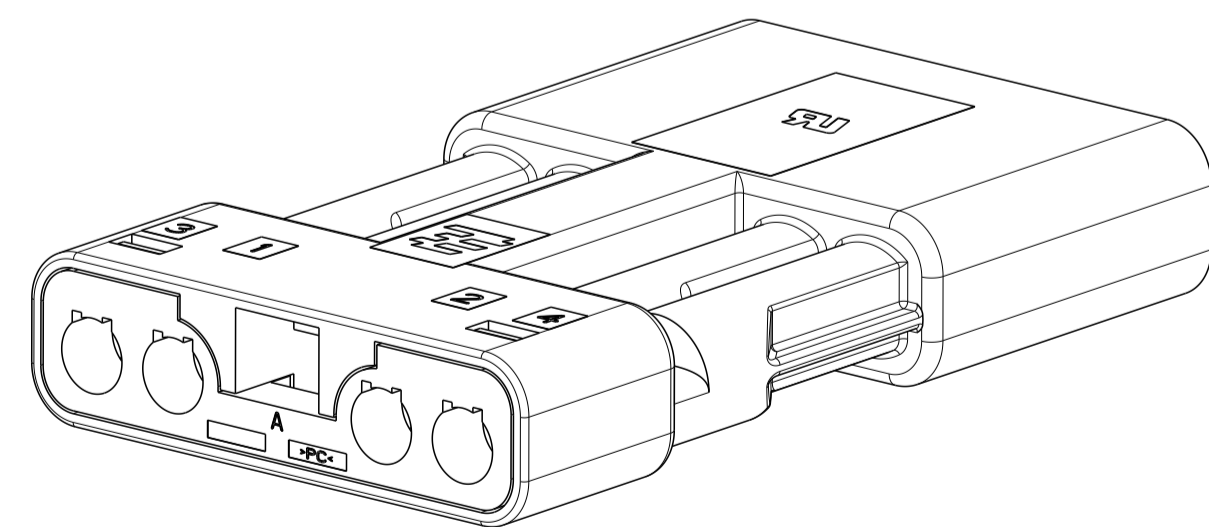
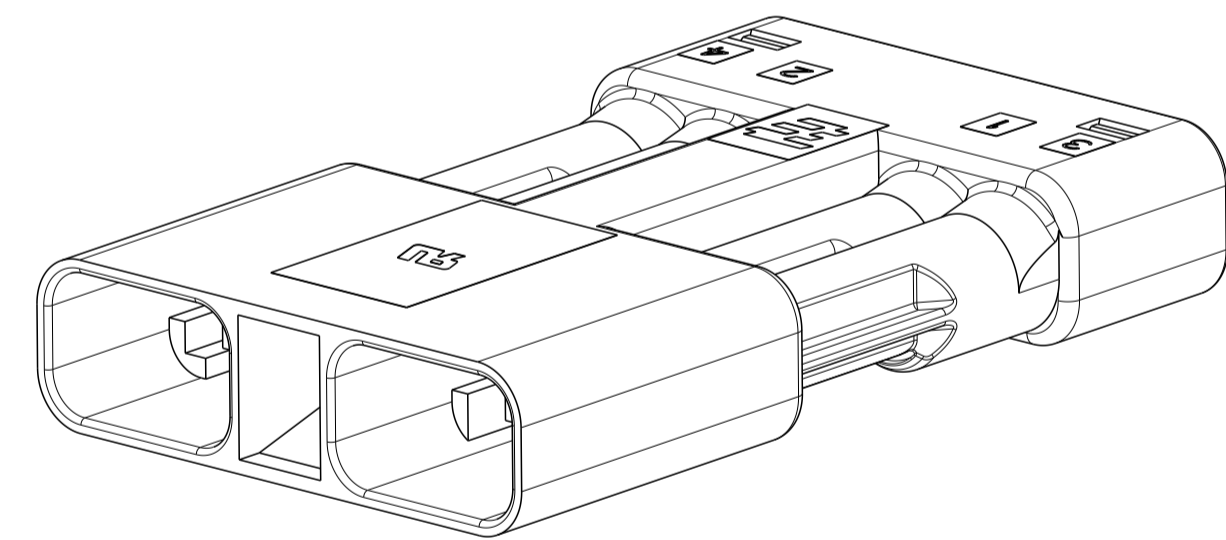


⚠ MATERIALS:  
 HOUSING: POLYCARBONATE, FI PER UL 746C,  
 COLOR: BLACK  
 WIRE GUIDE: POLYCARBONATE, FI PER UL 746C,  
 COLOR: BLACK  
 WIRE SEALS: SILICONE RUBBER, COLOR: BLUE

- THIS PART HAS NOT COMPLETED VALIDATION TESTING.
- MUST COMPLY WITH DIRECTIVE 2002/95/EC (ROHS).



2106136-4 SHOWN



21.40	4	2106136-4
17.90	3	2106136-3
14.40	2	2106136-2
DIM A	NO OF POSN	PART NUMBER

THIS DRAWING IS A CONTROLLED DOCUMENT.		DMN R BROWN 16FEB2009	TE Connectivity	
DIMENSIONS:		CHK A BUCHER 16FEB2009	NAME ASSEMBLY, RECEPTACLE, FREE HANGING, SLIMSEAL SSL CONNECTOR	
mm	TOLERANCES UNLESS OTHERWISE SPECIFIED:	APVD	PRODUCT SPEC	RESTRICTED TO
	0 PLC ±0.2		108-2391	
	2 PLC ±0.15		APPLICATION SPEC	
	3 PLC ±0.1		114-13261	
	4 PLC ±0.1		WEIGHT	
	ANGLES ±0.3		A100779C=2106136	
MATERIAL	FINISH		CUSTOMER DRAWING	SCALE 4:1 SHEET 1 OF 1 REV A2