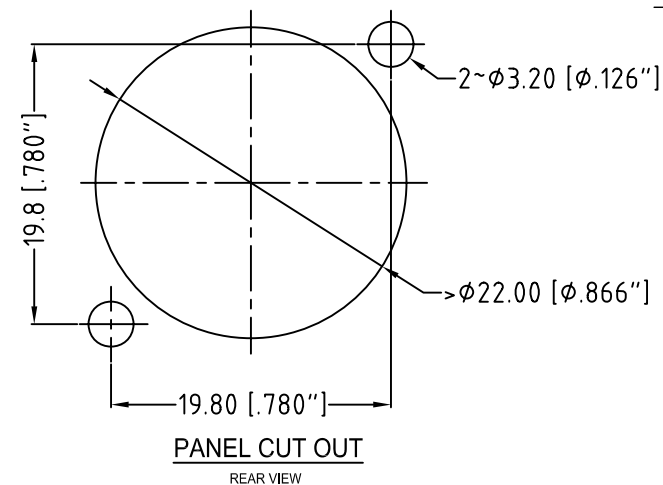
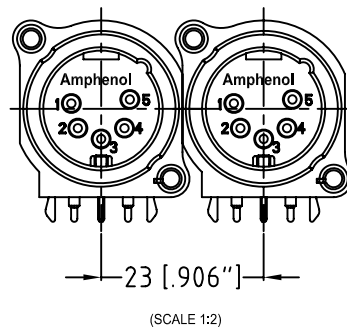
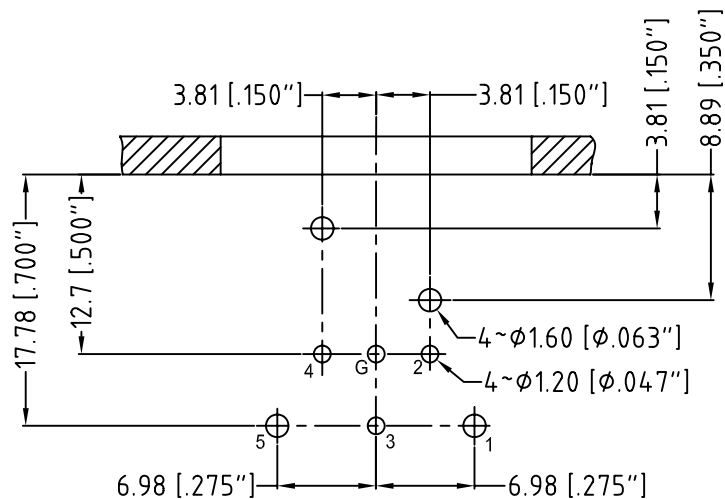
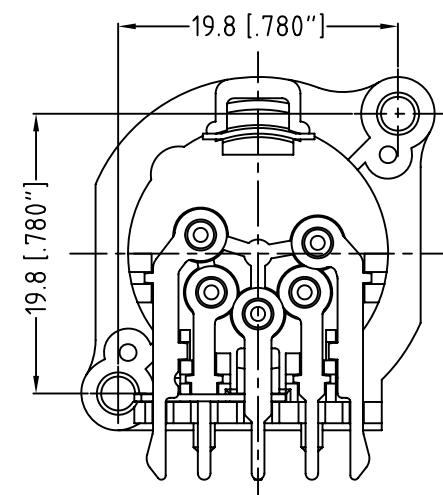
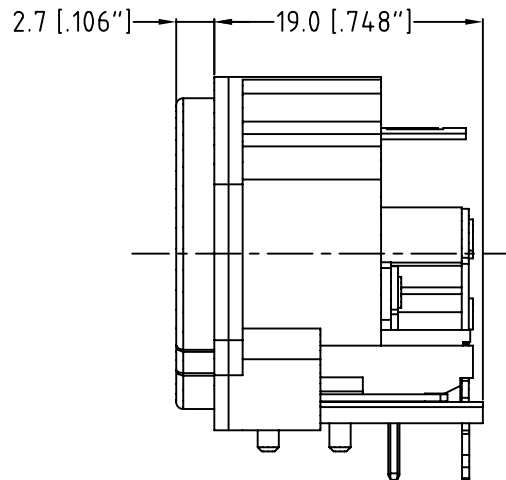
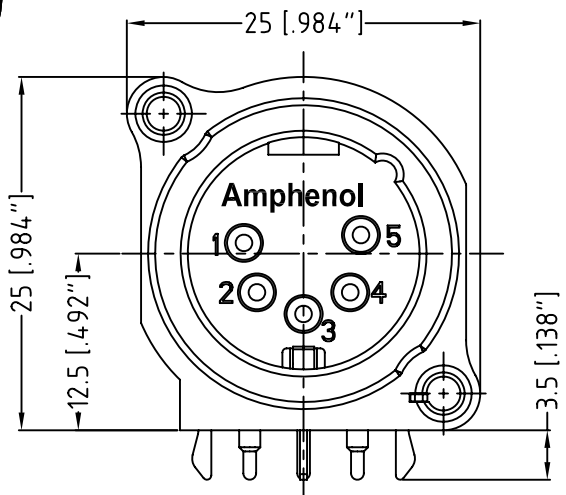


LEGEND  = KEY PRODUCT CHARACTERISTICS

**REVISION HISTORY**

REV	DESCRIPTION	DATE	BY	CHG/No
0	FIRST ISSUED	20-08-08	M.H	---
1	ADD -B TO PN	26-08-15	M.H	---



**PCB-LAYOUT**

COMPONENT SIDE  
TOLERANCE: ±0.05mm[.002"]

UNLESS OTHERWISE SPECIFIED  
TOLERANCE TO BE

LINEAR	ANGULAR
X ±0.50	X' ±1
X.X ±0.20	X.X' ±30°
X.XX ±0.10	X.XX' ±15°

BREAK ALL SHARP EDGES  
AND REMOVE ALL BURRS

DO NOT SCALE

DIMENSIONS IN MILLIMETRES

THIS DOCUMENT IS THE PROPERTY OF AMPHENOL AUSTRALIA PTY. LTD.  
. NO PART THEREOF MAY BE REPRODUCED AND USED  
WITHOUT THE PRIOR WRITTEN CONSENT OF THE OWNER

MATERIAL:  
REFER TO COMPONENTS

FINISH: REFER TO COMPONENTS

DRN: A.O DATE: 20-08-08

CKD: M.H DATE: 26-08-15

APP'D: P.M DATE: 26-08-15

SCALE: 1:1 SIZE: A4

**Amphenol** Amphenol Australia Pty.Ltd,  
22 Industry Blvd, Carrum Downs, VIC 3201

TITLE:  
AC5MAH-AU-B  
HORIZONTAL MALE  
CUSTOMER DRAWING

PART No:  
AC5MAH-AU-B

DRAWING NO. 55010444-000-1 SHEET 1/1

