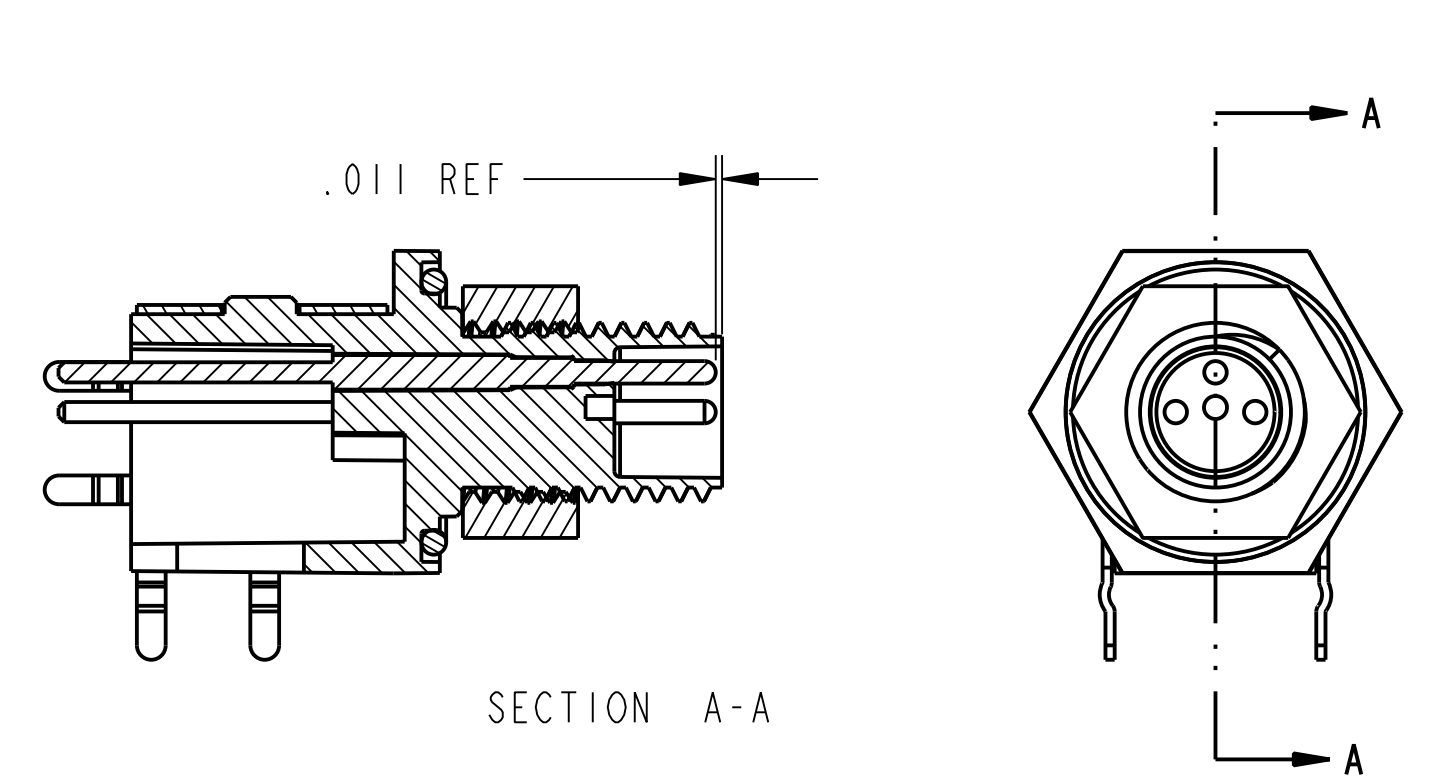


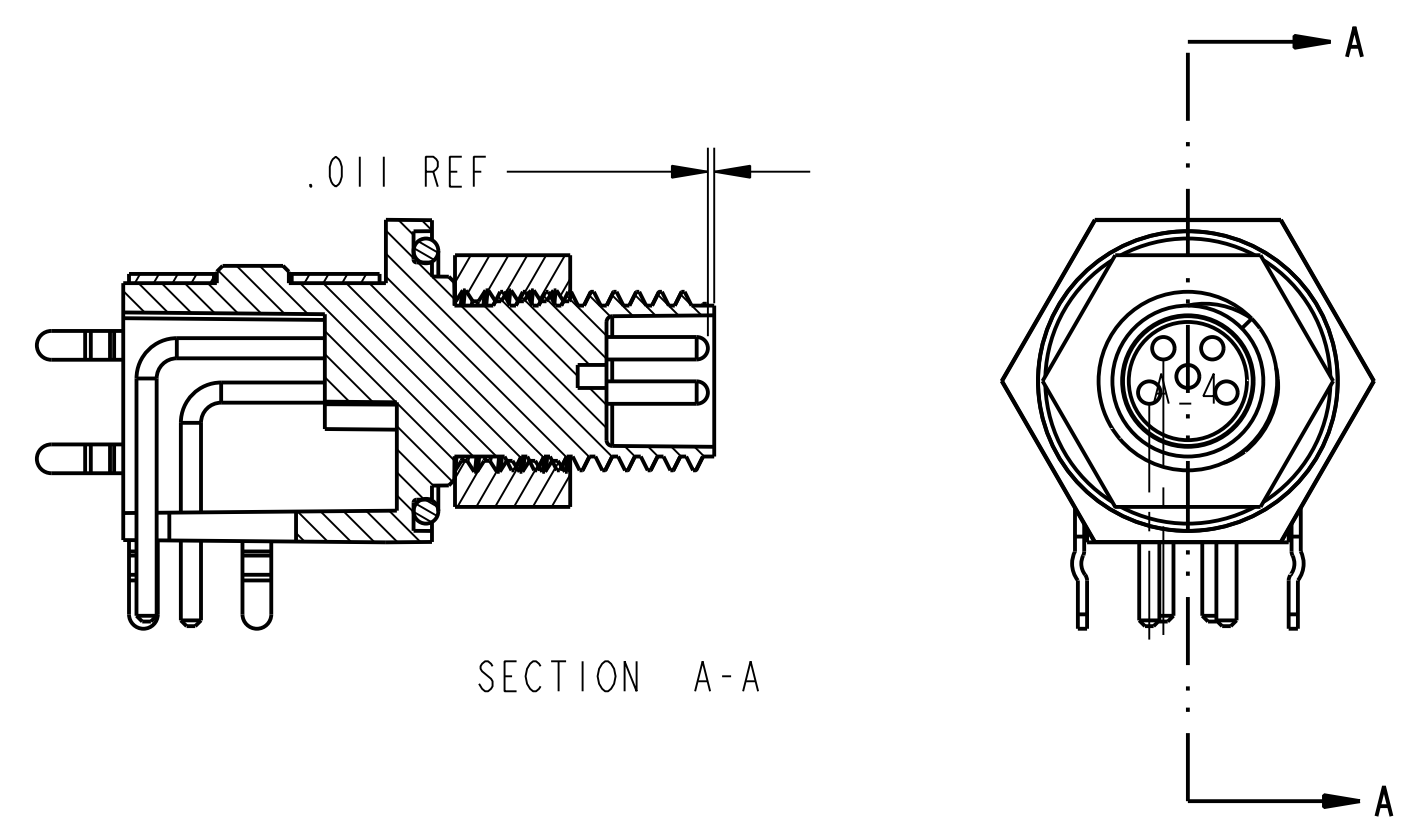
PCB MOUNT NC MALE RA 3 POLE  
 MATERIAL NUMBER: 1200900014  
 ENGINEERING NUMBER: 4R3F570005

PART DESCRIPTION	PART NUMBER	QTY.
NC MALE HEADER 3 PIN	56-4500-03	1
LOCK NUT PCB NC MALE	23-0006-01	1
O-RING	00-0002-03	1
BRACKET SUPPORT PCB NC	56-0060-01	1
PIN NC PCB UPPER	51-2200-02	1
PIN NC PCB MIDDLE	51-2200-03	2



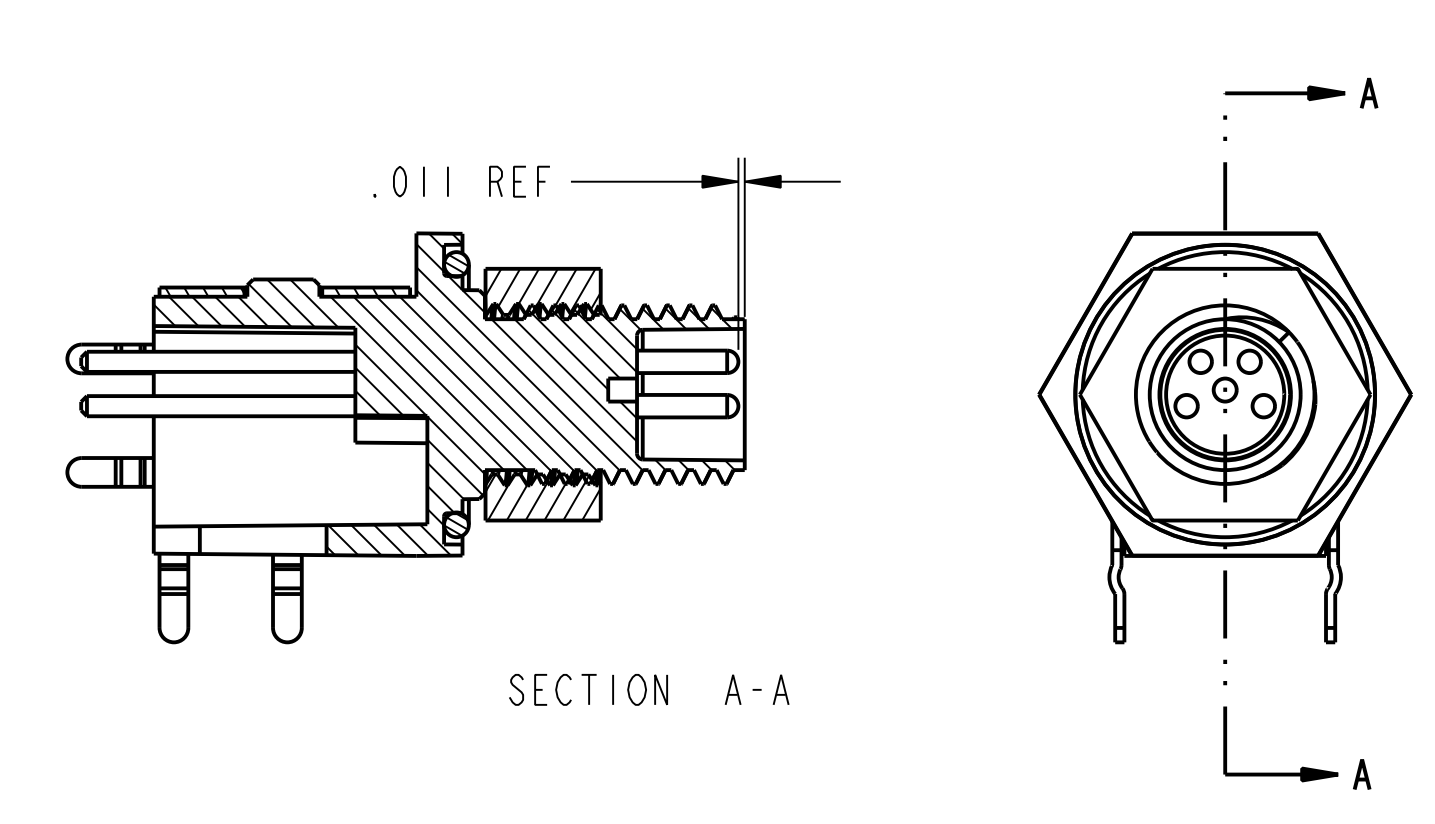
PCB MOUNT NC MALE STRAIGHT 3 POLE  
 MATERIAL NUMBER: 1200900012  
 ENGINEERING NUMBER: 4R3F560005

PART DESCRIPTION	PART NUMBER	QTY.
NC MALE HEADER 3 PIN	56-4500-03	1
LOCK NUT PCB NC MALE	23-0006-01	1
O-RING	00-0002-03	1
BRACKET SUPPORT PCB NC	56-0060-01	1
PIN NC PCB STRAIGHT	51-2200-01	3



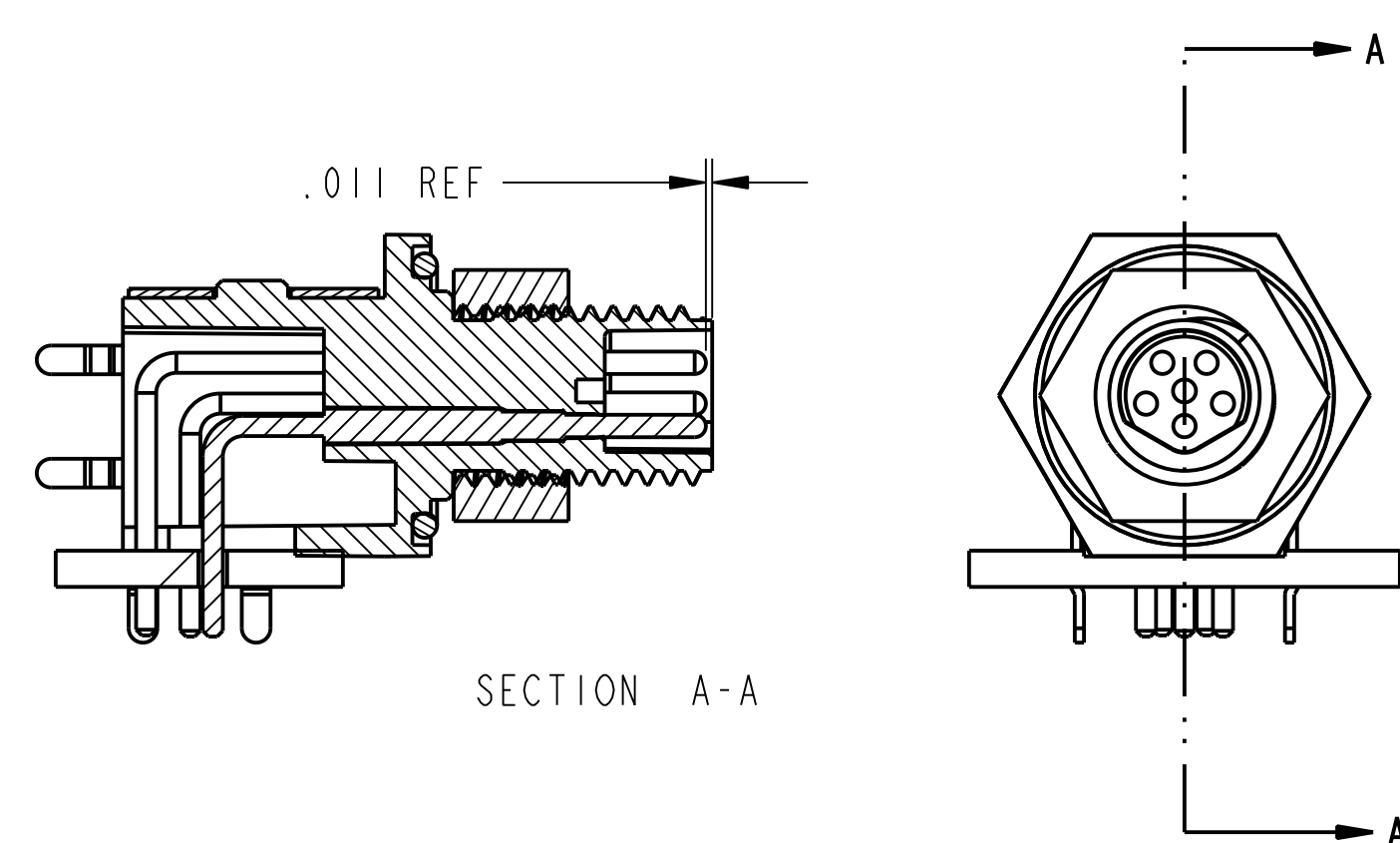
PCB MOUNT NC MALE RA 4 POLE  
 MATERIAL NUMBER: 1200900027  
 ENGINEERING NUMBER: 4R4F570005

PART DESCRIPTION	PART NUMBER	QTY.
NC MALE HEADER 4 PIN	56-4500-04	1
LOCK NUT PCB NC MALE	23-0006-01	1
O-RING	00-0002-03	1
BRACKET SUPPORT PCB NC	56-0060-01	1
PIN NC PCB UPPER	51-2200-02	2
PIN NC PCB MIDDLE	51-2200-03	2



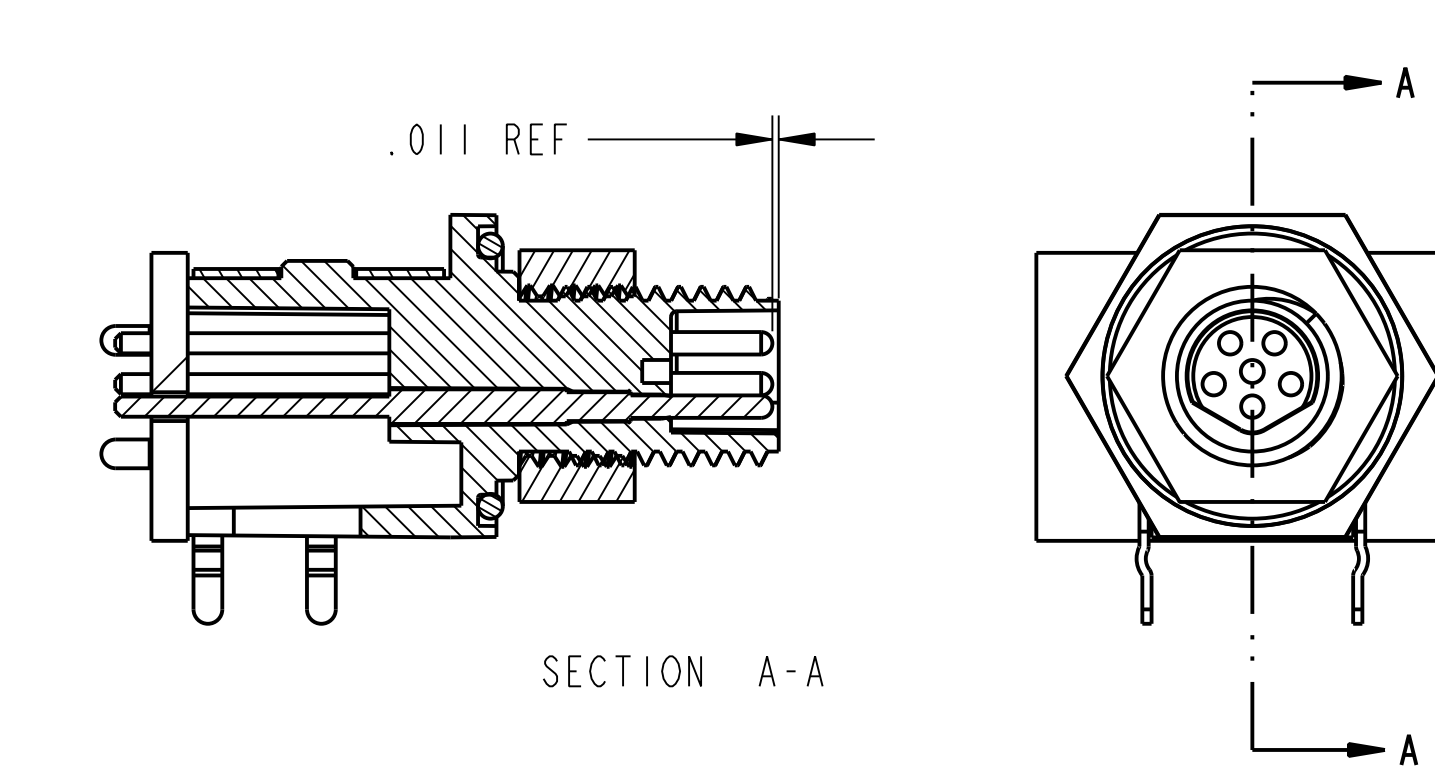
PCB MOUNT NC MALE STRAIGHT 4 POLE  
 MATERIAL NUMBER: 1200900025  
 ENGINEERING NUMBER: 4R4F560005

PART DESCRIPTION	PART NUMBER	QTY.
NC MALE HEADER 4 PIN	56-4500-04	1
LOCK NUT PCB NC MALE	23-0006-01	1
O-RING	00-0002-03	1
BRACKET SUPPORT PCB NC	56-0060-01	1
PIN NC PCB STRAIGHT	51-2200-01	4



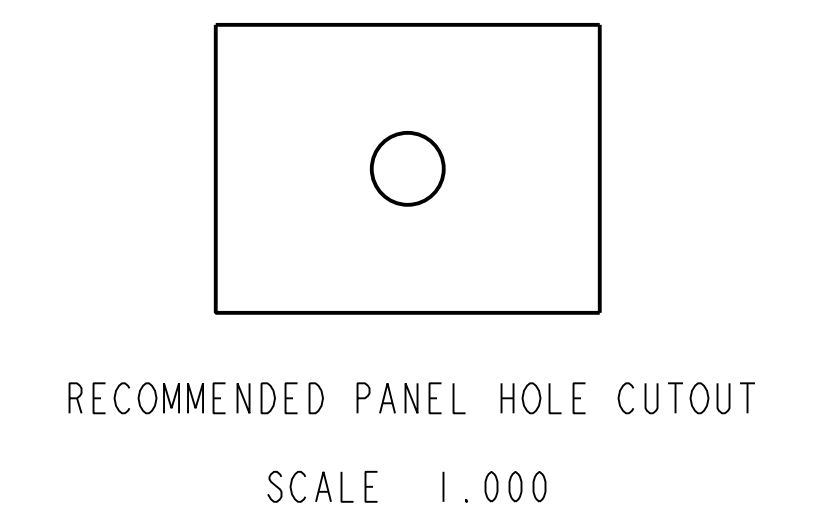
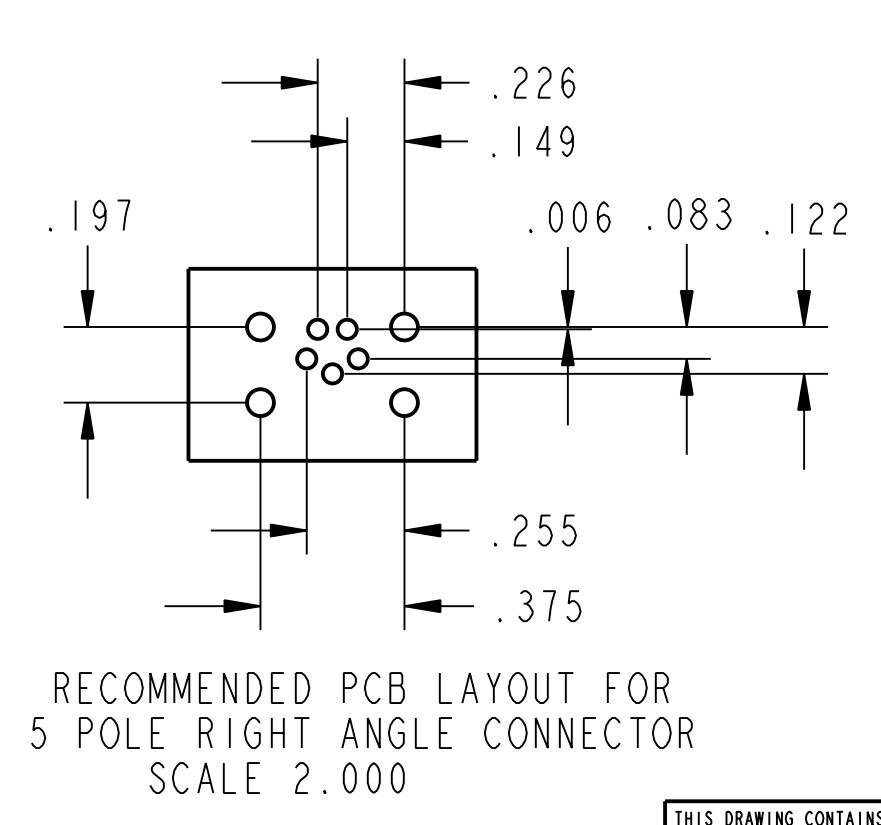
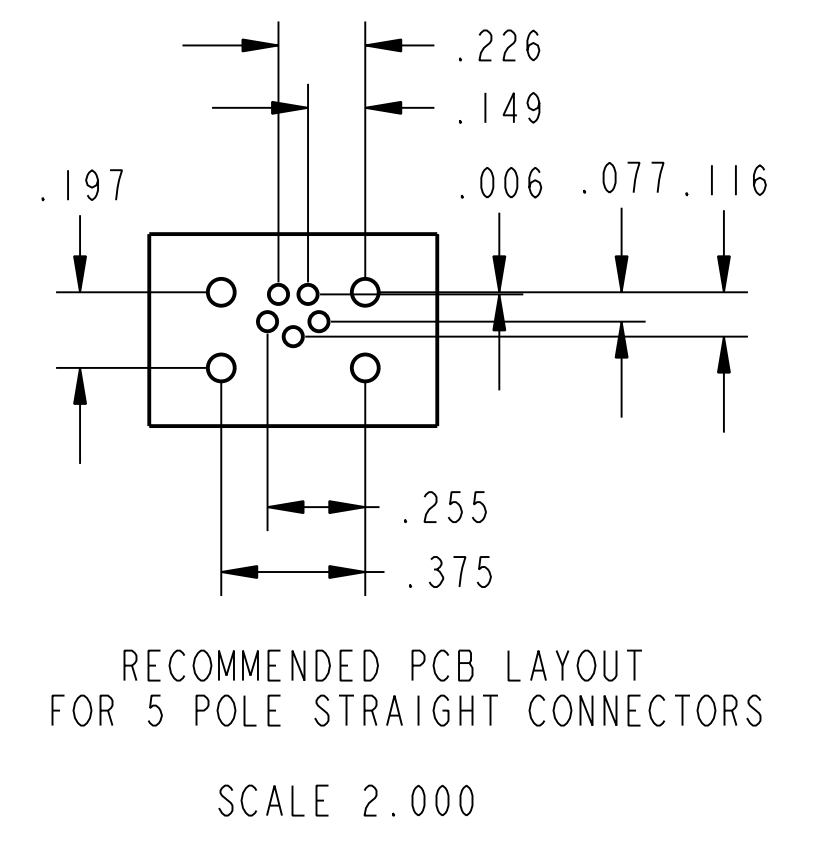
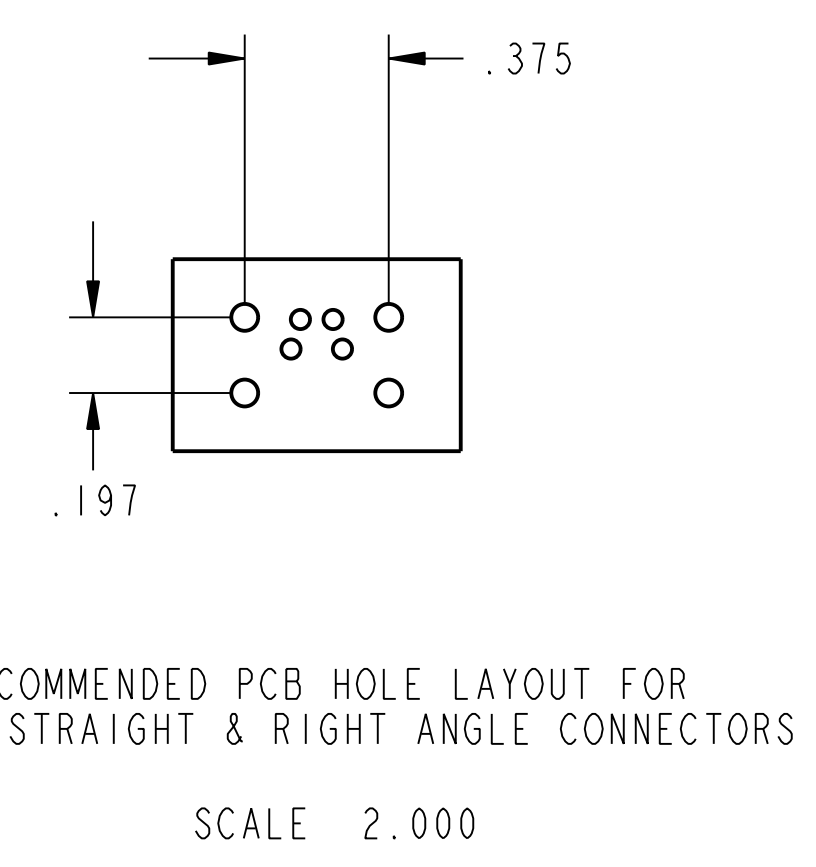
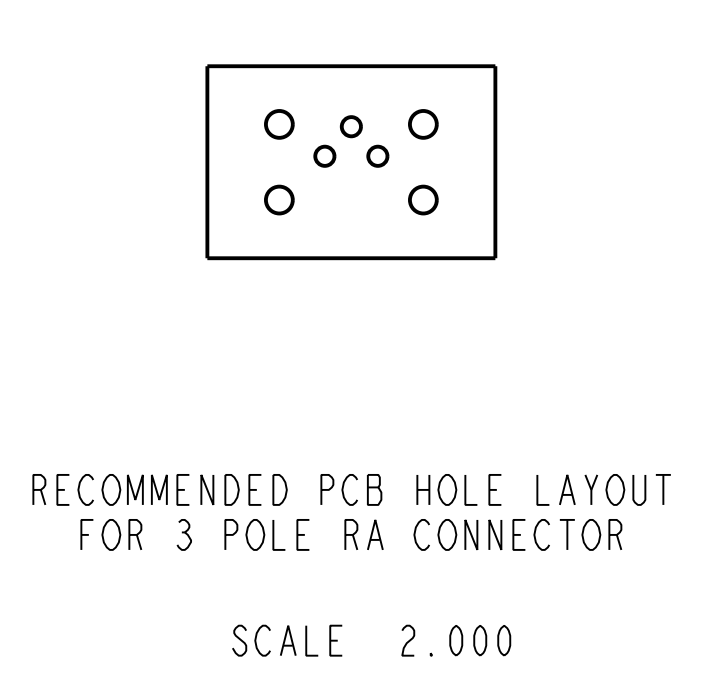
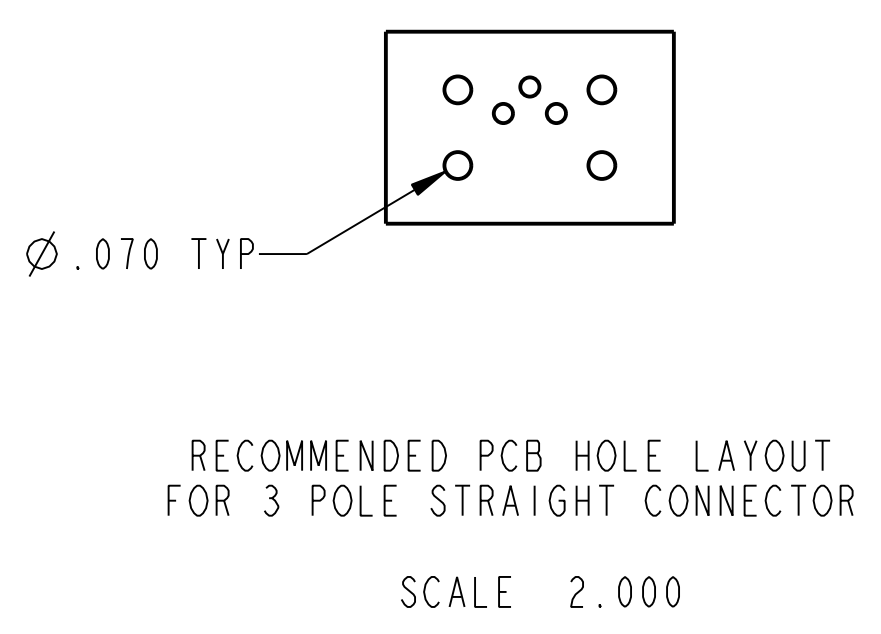
PCB MOUNT NC MALE RA 5 POLE  
 MATERIAL NUMBER: 1200900035  
 ENGINEERING NUMBER: 4R5F570005

PART DESCRIPTION	PART NUMBER	QTY.
NC MALE HEADER 5 PIN	56-4500-05	1
LOCK NUT PCB NC MALE	23-0006-01	1
O-RING	00-0002-03	1
BRACKET SUPPORT PCB NC	56-0060-01	1
PIN NC PCB UPPER	51-2200-02	2
PIN NC PCB MIDDLE	51-2200-03	2
PIN NC PCB LOWER	51-2200-04	1



PCB MOUNT NC MALE STRAIGHT 5 POLE  
 MATERIAL NUMBER: 1200900034  
 ENGINEERING NUMBER: 4R5F560005

PART DESCRIPTION	PART NUMBER	QTY.
NC MALE HEADER 5 PIN	56-4500-05	1
LOCK NUT PCB NC MALE	23-0006-01	1
O-RING	00-0002-03	1
BRACKET SUPPORT PCB NC	56-0060-01	1
PIN NC PCB STRAIGHT	51-2200-01	5



DRAWN BY: EMD CHECKED BY: SK MATERIAL: FINISH: THIRD ANGLE PROJECTION <small>THIS DRAWING CONTAINS INFORMATION THAT IS PROPRIETARY TO MOLEX INCORPORATED AND SHOULD NOT BE USED WITHOUT WRITTEN PERMISSION</small>	DATE: 4/00 DATE: 4/17/00 UNLESS OTHERWISE SPECIFIED TOLERANCES ARE: .X = ±.020 .XX = ±.010 .XXX = ±.005 FRACTIONAL = ± 1/64 ANGULAR = ± 1/2°	MOLEX INCORPORATED TITLE: PCB MOUNT NC MALE ASSY SIZE: D SCALE: 3.000 PROJECT NUMBER: 67-4000 SHEET 1 OF 1
---	--	---