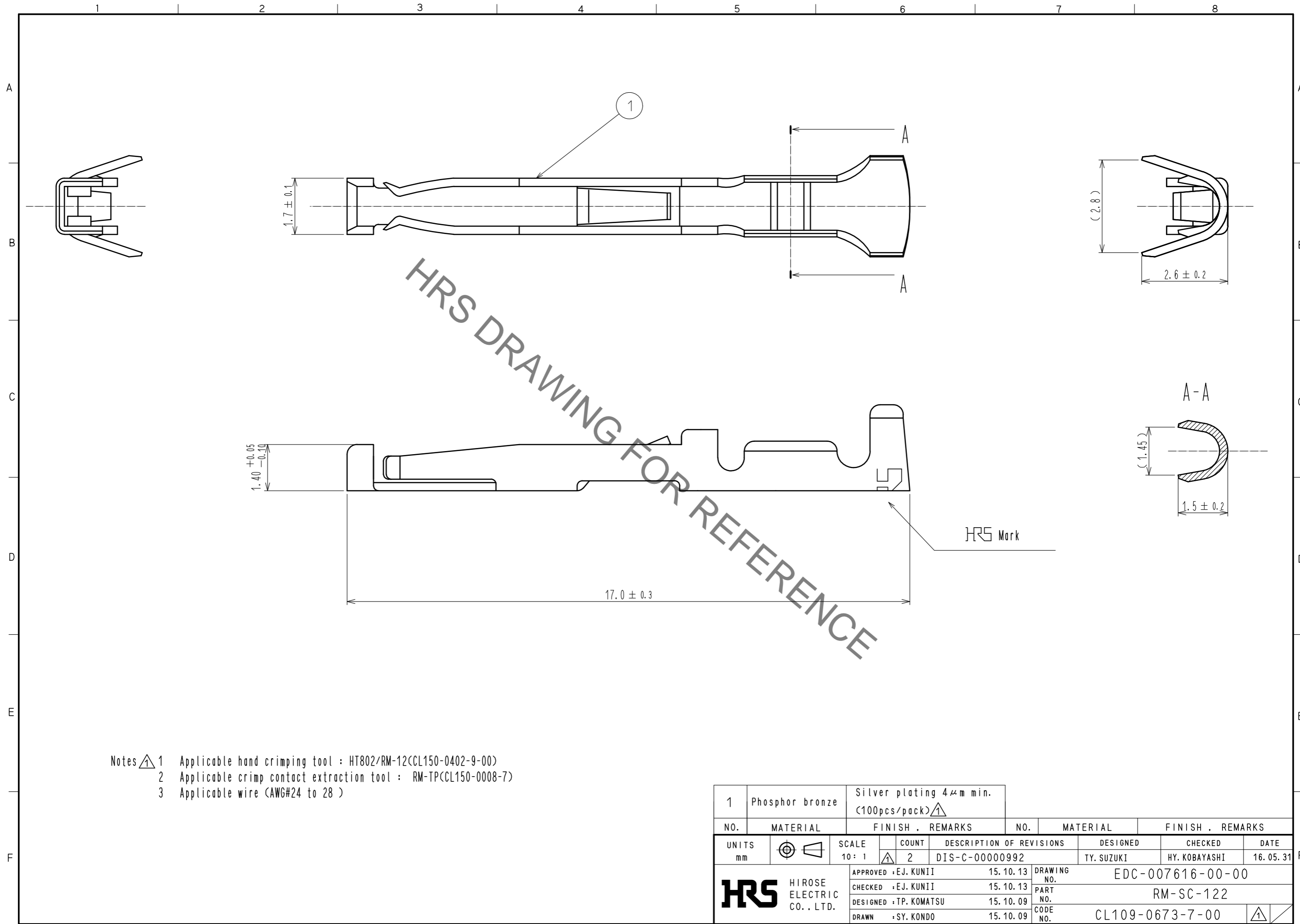


Jul.1.2019 Copyright 2019 HIROSE ELECTRIC CO., LTD. All Rights Reserved.
 In case of consideration for using Automotive equipment / device which demand high reliability, kindly contact our sales window correspondents.



- Notes
- 1 Applicable hand crimping tool : HT802/RM-12(CL150-0402-9-00)
 - 2 Applicable crimp contact extraction tool : RM-TP(CL150-0008-7)
 - 3 Applicable wire (AWG#24 to 28)

1	Phosphor bronze	Silver plating 4μm min. (100pcs/pack) 1						
NO.	MATERIAL	FINISH . REMARKS	NO.	MATERIAL	FINISH . REMARKS			
UNITS mm		SCALE 10: 1	COUNT 2	DESCRIPTION OF REVISIONS DIS-C-00000992		DESIGNED TY. SUZUKI	CHECKED HY. KOBAYASHI	DATE 16.05.31
HRS HIROSE ELECTRIC CO., LTD.		APPROVED : EJ. KUNII	15.10.13	DRAWING NO. EDC-007616-00-00				
		CHECKED : EJ. KUNII	15.10.13	PART NO. RM-SC-122				
		DESIGNED : TP. KOMATSU	15.10.09	CODE NO. CL109-0673-7-00				
		DRAWN : SY. KONDO	15.10.09					