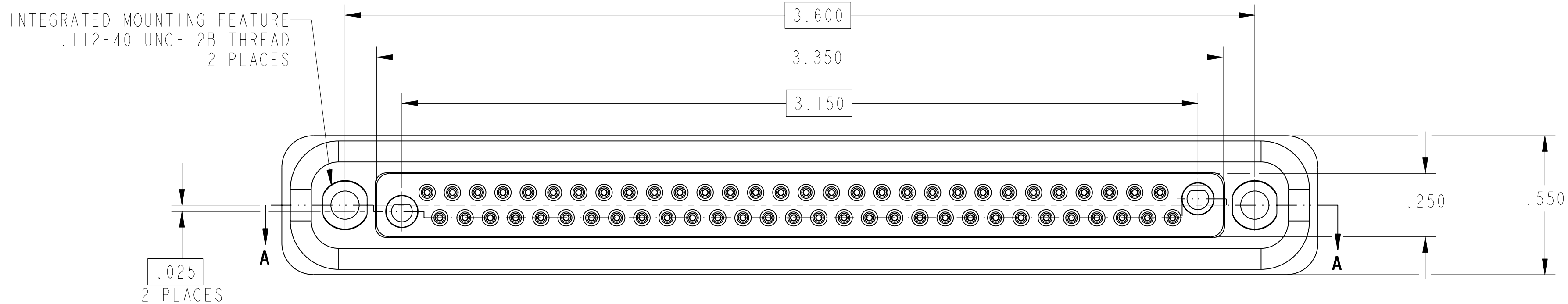
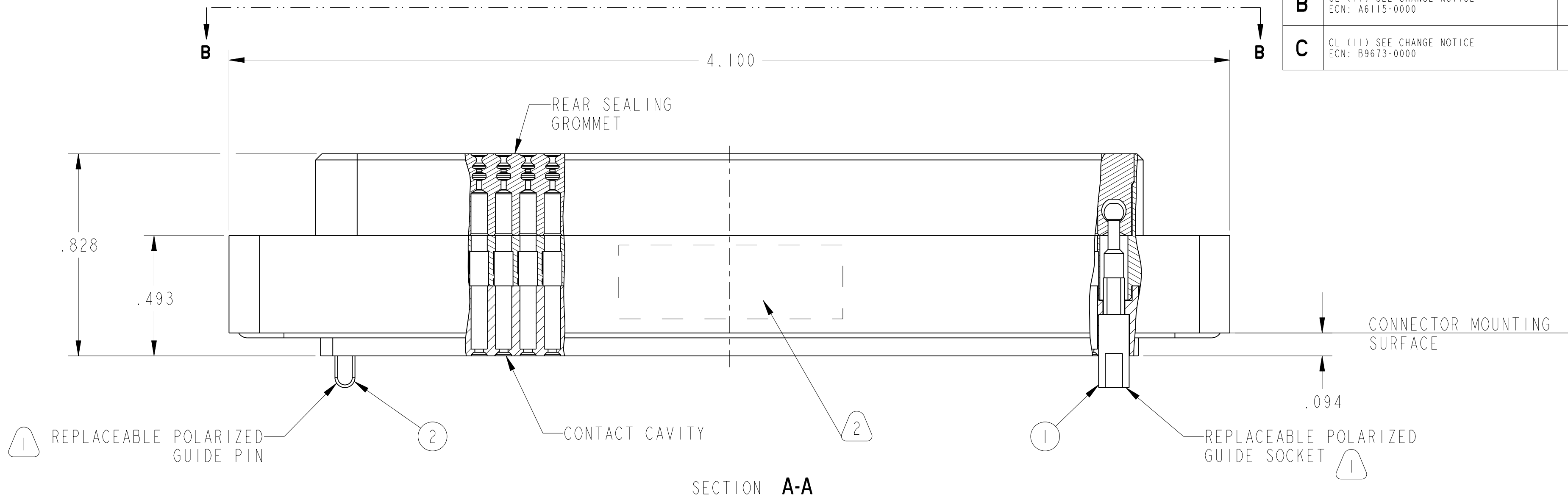


REV. C	SHEET 1 OF 4	DOCUMENT NO. 10-504934-001
REVISIONS		
LTR	DESCRIPTION	DATE
A	INITIAL RELEASE	07/23/2008
B	CL (11) SEE CHANGE NOTICE ECN: A6115-0000	10/01/2008 D. M.
C	CL (11) SEE CHANGE NOTICE ECN: B9673-0000	11/17/14 MRG



SEE SHEET 3

NOTES:

THE USE OF THIS DOCUMENT IS UNLIMITED. HOWEVER, DOCUMENTS REFERENCED HEREON MAY CONTAIN LIMITED RIGHTS DATA.

N/A NEXT ASSEMBLY

PRO/ENGINEER INFORMATION  
 Pro/e Model Used:  
 10-504934-001.XGBEMVEL.ASSEM  
 Drawing Name:  
 10-504934-001

UNLESS OTHERWISE SPECIFIED  
 LINEAR DIMENSIONS ARE IN INCHES  
 TOLERANCES:  
 .XXXX = ±.0005 ANGLES= ±2°  
 .XXX = ±.010  
 .XX = ±.03  
 .X = ±.1  
 DIM. & TOL. PER ASME Y14.5M;  
 DRM PER MIL-DTL-31000;  
 OTHER Amphenol Stds. PER 9-3800  
 LEGENDS:  
 =FLAG NOTE CALL OUT REFERENCE ONLY

SPECIFICATIONS  
 MATERIAL SPEC.  
 SEE NOTES  
 PROCESS SPEC.  
 9-3856-5  
 9-3895  
 SEE NOTES

POS	QTY	PART NUMBER	DESCRIPTION	NOTE
3	60	M39029/57-354	CRIMP CONTACTS	
2	1	10-504934-008	POLARIZATION PIN	
1	1	10-504934-007	POLARIZATION SOCKET	
		10-504934-002	ASSEMBLY, MANUFACTURE	

APPROVALS		DATE
PREPARED BY	DMORSE	
ENGINEER IN CHARGE	BCHUBB	04-08-08
DESIGN MANAGER	E.HICKEY	
DESIGN ACTIVITY GROUP BOARD LEVEL		
THIRD ANGLE PROJECTION		

PARTS LIST			
<b>AMPHENOL CORPORATION</b> 40-60 DELAWARE AVENUE SIDNEY, N.Y. 13858			
<b>CONNECTOR, ELECTRICAL, I/O, SEALED, 60 CONTACT POSITION</b>			
SIZE <b>C</b>	CAGE CODE <b>77820</b>	DOCUMENT NO. <b>10-504934-001</b>	REV. <b>C</b>
SCALE: 3.0		REF. N/A	SHEET 1 OF 4

VERSION P  
 REVISION C  
 RELEASE STATE WIP  
 SHEET 1 OF 4  
 DOCUMENT NO. 10-504934-001

10-504934-001

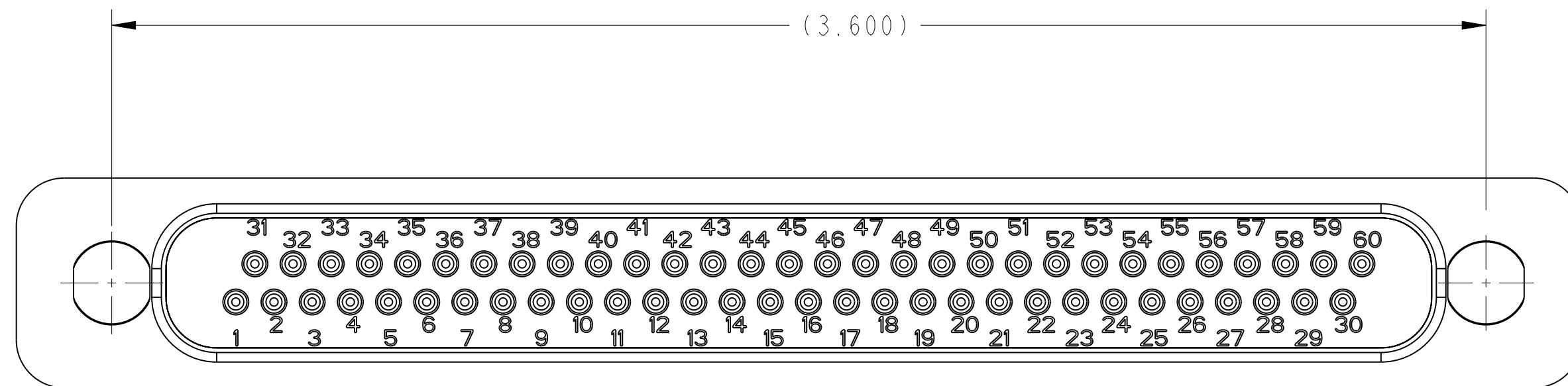
SHEET 2 OF 4

REV. C

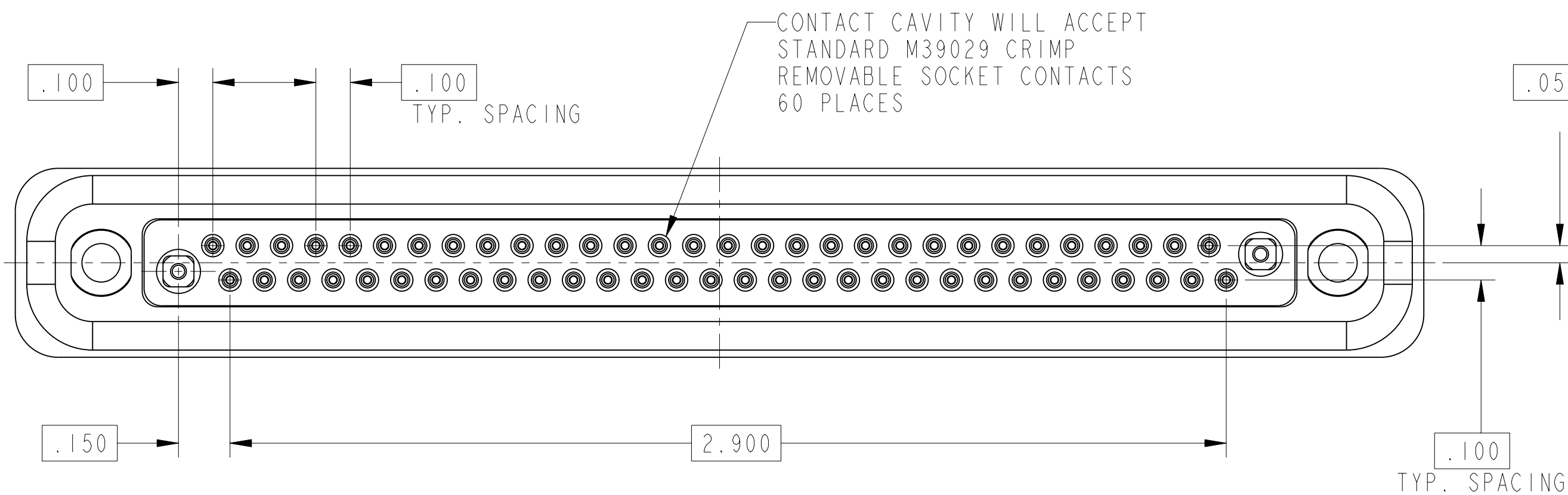
C

B

A



VIEW AT B-B



**CONTACT LAYOUT**

SEE SHEET 3

**NOTES:**

THE USE OF THIS DOCUMENT IS UNLIMITED. HOWEVER, DOCUMENTS REFERENCED HEREON MAY CONTAIN LIMITED RIGHTS DATA.

SIZE <b>C</b>	CAGE CODE <b>77820</b>	DOCUMENT NO. <b>10-504934-001</b>	REV. <b>C</b>
SCALE: 1.0		REF: N/A	SHEET 2 OF 4

REV. C  
SHEET 2 OF 4  
RELEASE STATE: WIP  
REVISION C  
VERSION P

10-504934-001

10-504934-001

SHEET 3 OF 4

REV. C

C

B

A

TEST	REQUIREMENT	TEST METHOD PER MIL-STD-1344 (SUPERSEDED BY EIA 364)
OPERATING TEMP.	-65° TO +125°C	N/A
CONTACT RESISTANCE	.020 OHMS MAXIMUM	#3004 (EIA 364.6)
DIELECTRIC WITHSTANDING	1000 VRMS, 60 Hz @ SEA LEVEL 300 VRMS, 60 Hz @ 70,000 FEET 300 VRMS, 60 Hz @ 100,000 FEET	#3001 (EIA 364.20)
INSULATION RESISTANCE	5000 MEGAOHMS MINIMUM @ 500 VDC	#3003 (EIA 364.21)
DURABILITY	500 MATING CYCLES	MIL-DTL-55302 4.5.9
TEMPERATURE CYCLING	5(1) HR CYCLES: -65° TO +125°C	#1003 (EIA 364.32)
VIBRATION	10-2000 Hz, 15G PEAK	#2005 (EIA 364.28)
SALT SPRAY	5% SALT SPRAY @95°F FOR 48 HOURS	#1001 (EIA 364.26)
SHOCK	100G SAWTOOTH, 6MS	#2004 (EIA 364.27)
HUMIDITY	10 DAYS @ 25° TO 65°C, 80-90% RH	#1002 (EIA 364.31)
RAIN AND WIND	4 INCHES/HOUR WITH 40 MPH WINDS	MIL-STD-810, TEST METHOD 506.4, PROCEDURE I AND III
CONTACT ENGAGEMENT FORCE	12 OZ. MAXIMUM	#2014 (EIA 364.37) & MIL-DTL-55302
CONTACT SEPERATION FORCE	.5 OZ MINIMUM	#2014 (EIA 364.37) & MIL-DTL-55302
FLUID IMMERSION	TURBINE FLUID LUBRICATING OIL, HYDRAULIC FLUID, PHOSPHATE ESTER BASED HYDRAULIC FLUID, DEFROSTING FLUID, CLEANING COMPOUND, GASOLINE, GASOHOL, AVIATION GASOLINE, JET FUEL A & B, ONE-PART ISOPROPYL ALCOHOL	EIA 364.10

ACCESSORIES	
PART NUMBER	DESCRIPTION
10-405996-022	PLUG, SEAL, GROMMET

3. SEE SEPARATE PARTS LIST FOR COMPONENT PART NUMBERS.
2. INK STAMP "AMPHENOL" 77820, PART NUMBER AND DATE CODE ON INDICATED SURFACE PER 9-3856-5. DATE CODE PER 9-3895. CHARACTERS SHALL BE .062 ±.020 HIGH.
1. INDICATED PARTS ARE SHOWN ASSEMBLED. THESE PARTS WILL BE SHIPED UNASSEMBLED.

NOTES:

THE USE OF THIS DOCUMENT IS UNLIMITED. HOWEVER, DOCUMENTS REFERENCED HEREON MAY CONTAIN LIMITED RIGHTS DATA.

REPLACEMENT COMPONENTS		
F/N	PART NUMBER	DESCRIPTION
1	10-504934-007	POLARIZED GUIDE SOCKET
2	10-504934-008	POLARIZED GUIDE PIN
3	M39029/354	SOCKET CONTACTS
4	10-504934-009	PANEL SEAL GASKET

SIZE <b>C</b>	CAGE CODE <b>77820</b>	DOCUMENT NO. <b>10-504934-001</b>	REV. <b>C</b>
SCALE: 1.0		REF: N/A	SHEET 3 OF 4

RELEASE STATE WIP

SHEET 3 OF 4

10-504934-001

REV. C

10-504934-001

SHEET 4 OF 4

REV. C

C

B

A

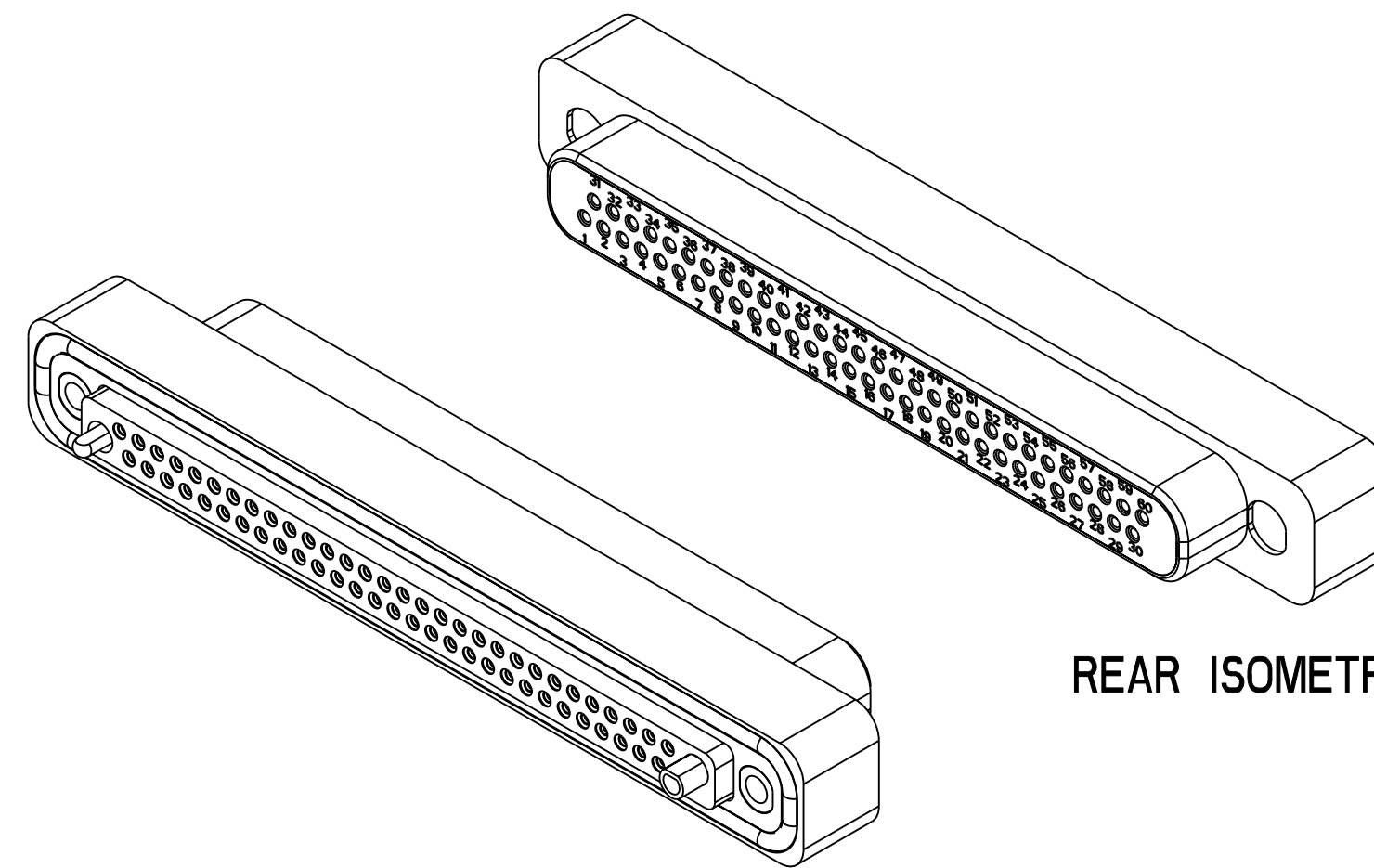
10-504934-001

10-504934-001

SHEET 4 OF 4

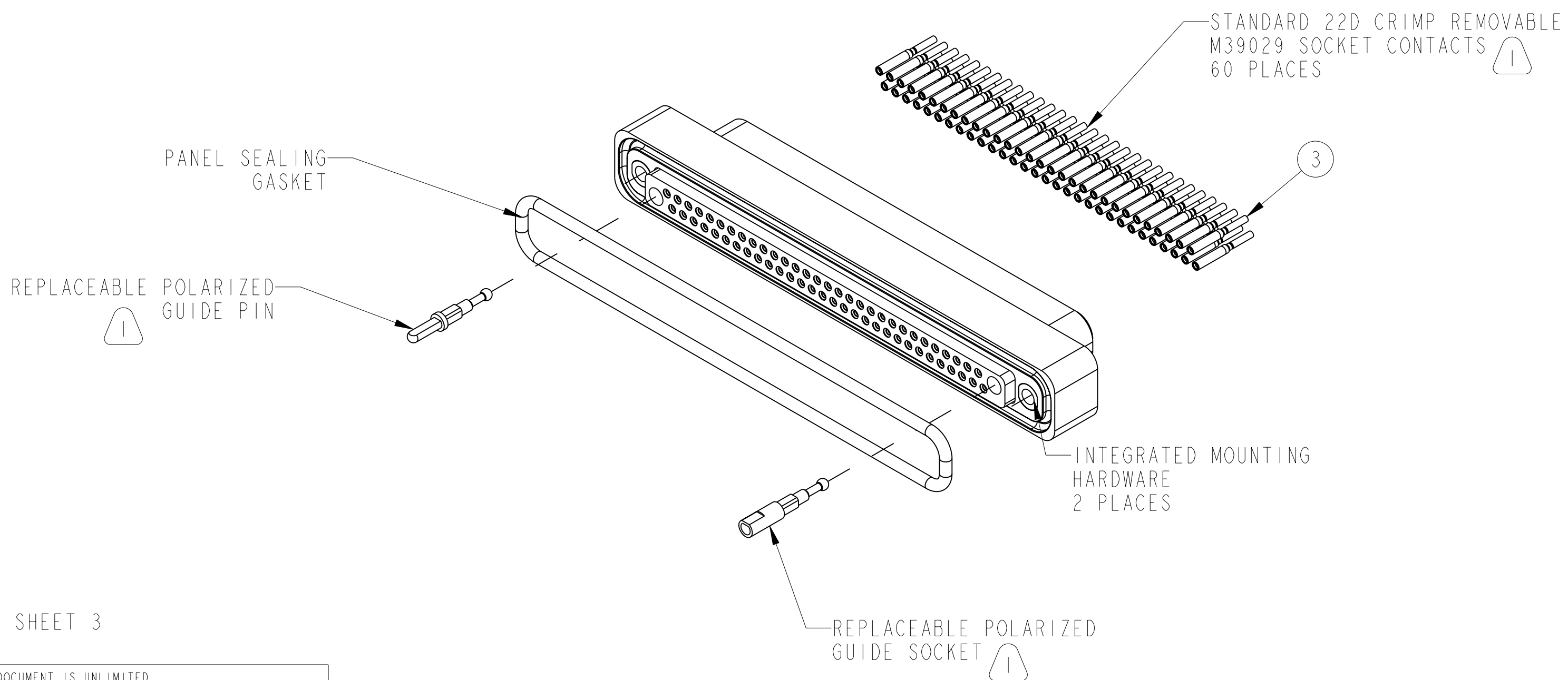
REV. C

IMAGED / Apr . 02 2015, 11:52:05 AM



REAR ISOMETRIC VIEW

FRONT ISOMETRIC VIEW



NOTES: SEE SHEET 3

THE USE OF THIS DOCUMENT IS UNLIMITED. HOWEVER, DOCUMENTS REFERENCED HEREON MAY CONTAIN LIMITED RIGHTS DATA.

SIZE <b>C</b>	CAGE CODE <b>77820</b>	DOCUMENT NO. <b>10-504934-001</b>	REV. <b>C</b>
SCALE: 1.5	REF: N/A	SHEET 4 OF 4	

10-504934-001 DOCUMENT NO. SHEET 4 OF 4 REV. C

D

C

VERSION I

REVISION C

RELEASE STATE WIP

REV. C

SHEET 4 OF 4

10-504934-001