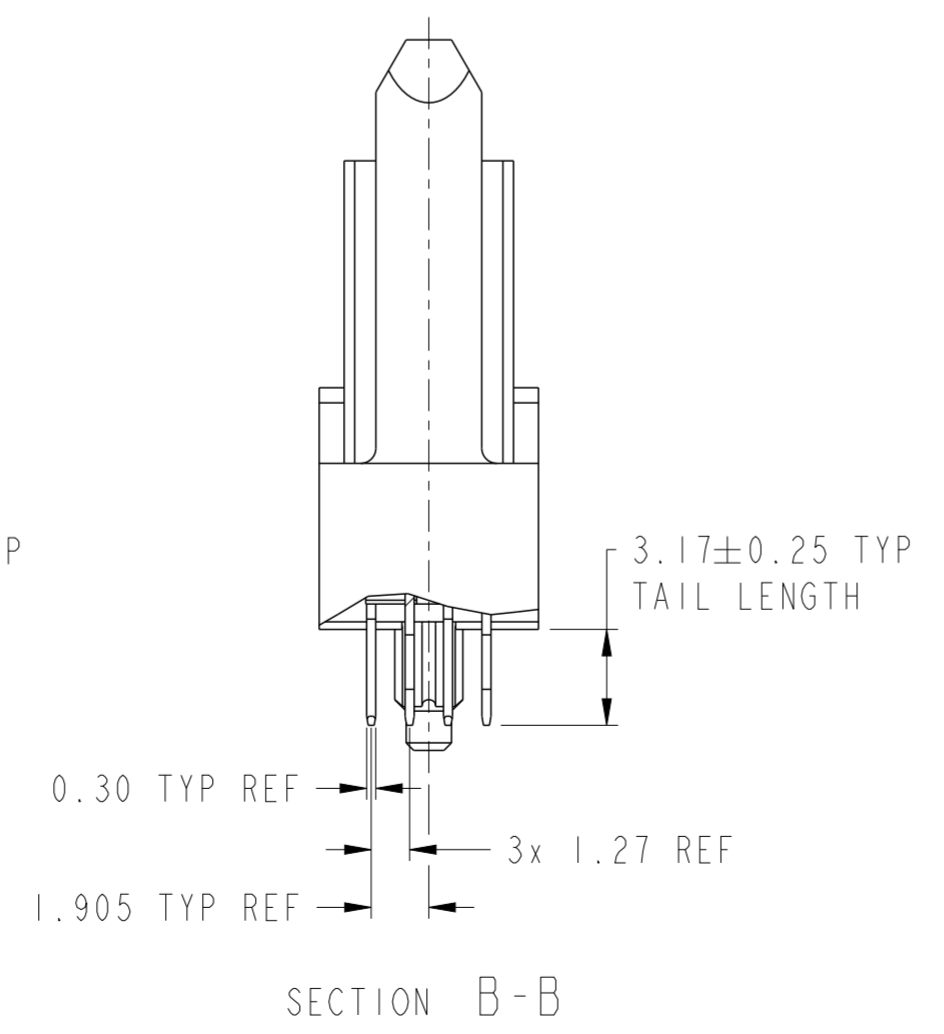
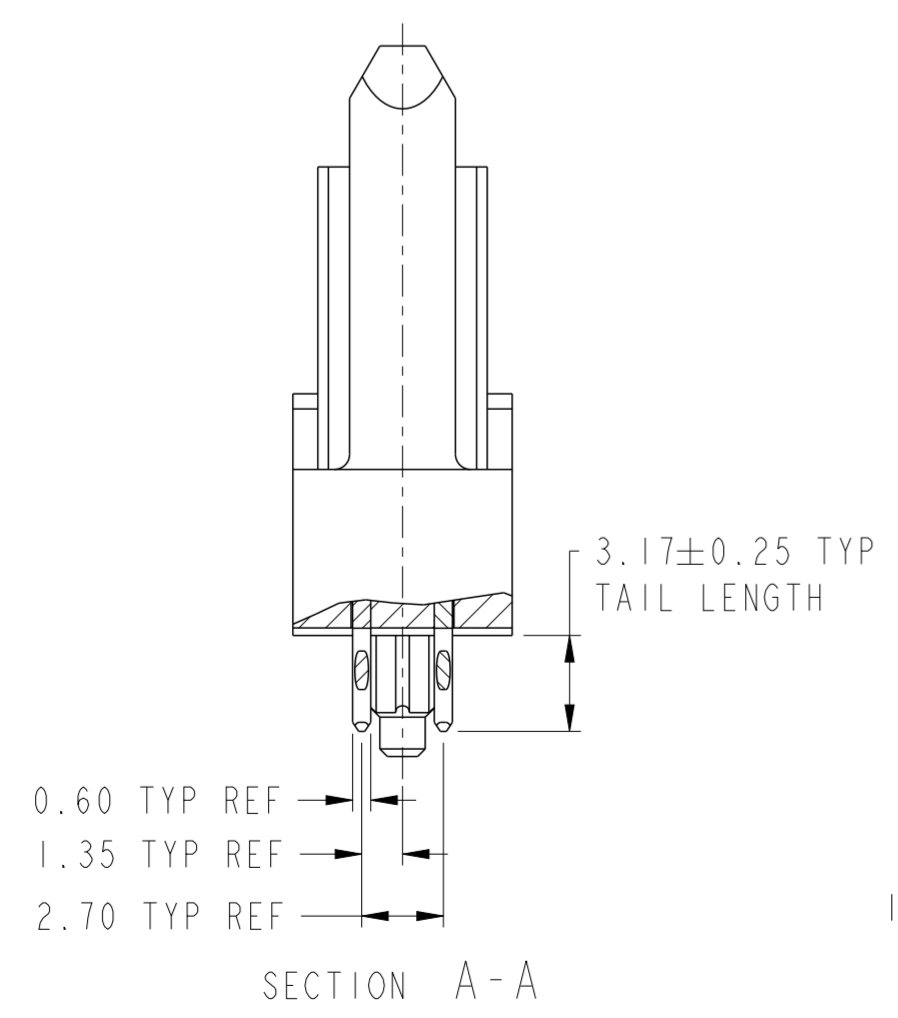
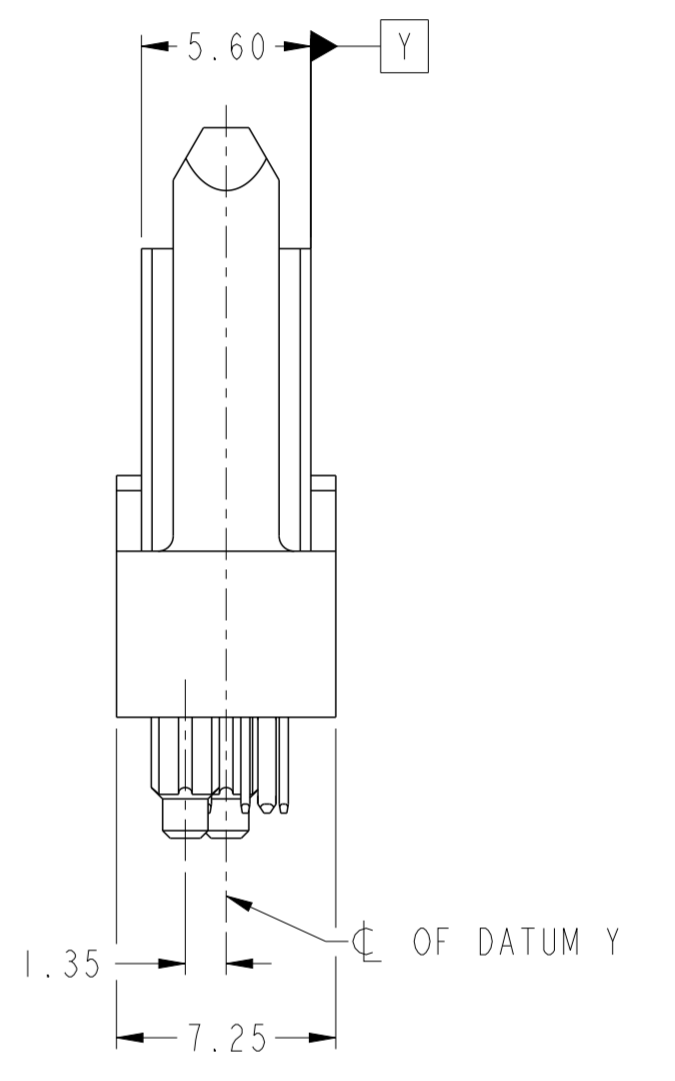
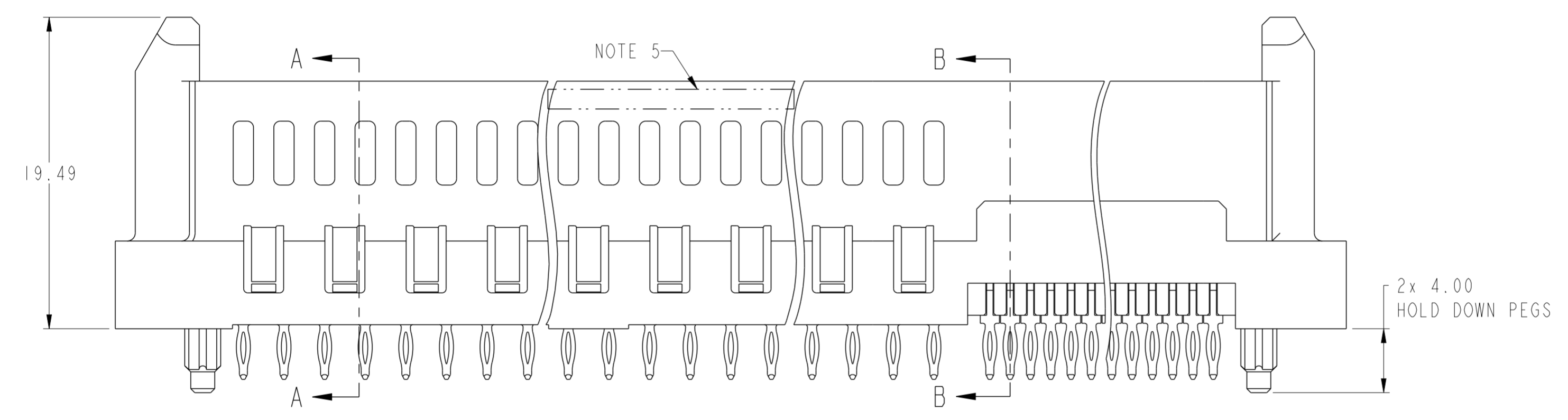
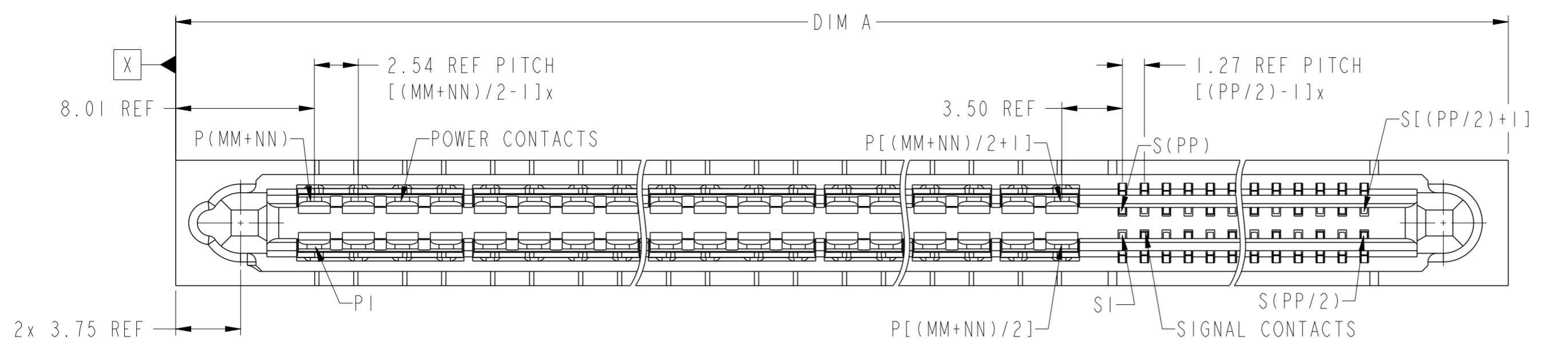


A
B
C
D
E
F



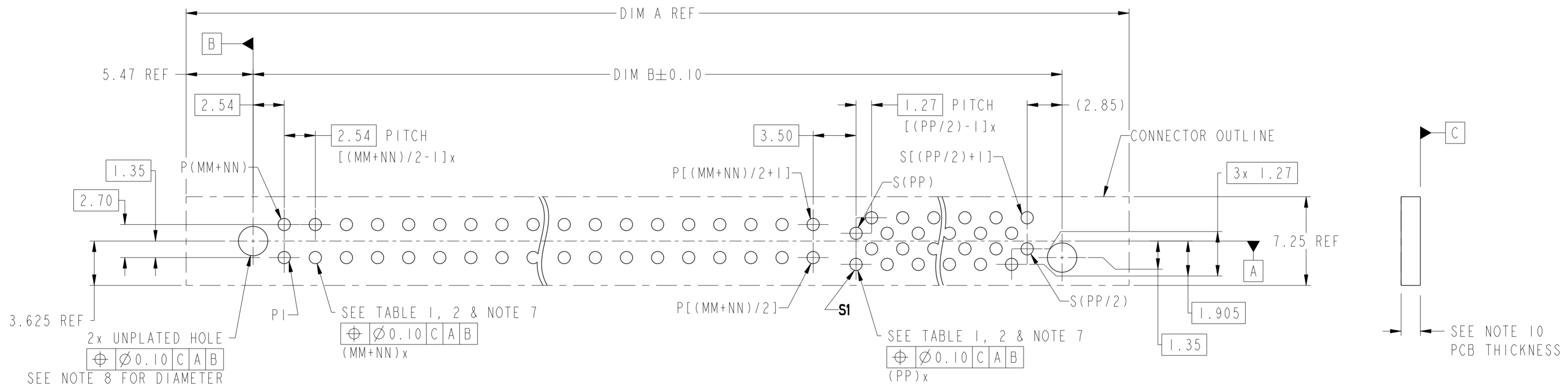
spec ref	dr	Julia Wang	2014/03/07	projection	MM	size	A2	scale	4:1
tolerance std	eng	Feng Zheng	2016/09/22			ecn no	ELX-DG-24961-1	rel level	Released
ISO 406	chr	Terris Liu	2016/09/22						
ISO 1101	appr	Pai-Ming Zheng	2016/09/22						
surface	linear	0.X	±0.5			title HPCE BTB VT RECPT WITH GUIDE POST CONFIG. P+S - UNIVERSAL DRAWING		dwg no 10125023	rev B
ISO 1302	angular	0°	±2°	cat. no.	Product - Customer Drw			sheet 1 of 3	

Amphenol
FCI

© 2016 AFCI

CONTACT TYPE	TOP LAYER DESCRIPTION	TABLE 1 (HPCE / SOLDER TAILS) PLATED THROUGH-HOLE REQUIREMENTS				
		DRILLED HOLE DIAMETER	COPPER THICKNESS	TIN-LEAD THICKNESS	TIN THICKNESS	FINISHED HOLE DIAMETER
POWER & SIGNAL	TIN-LEAD	1.10-1.16 (1.15 DRILL)	0.025 - 0.050	0.005 - 0.015	--	0.94 - 1.10
	IMMERSION TIN	1.10-1.16 (1.15 DRILL)	0.025 - 0.050	--	0.9 - 1.5um	0.94 - 1.10
	COPPER (SEE NOTE 7)	1.10-1.16 (1.15 DRILL)	0.025 - 0.050	--	--	0.94 - 1.10

CONTACT TYPE	TOP LAYER DESCRIPTION	TABLE 2 (HPCE / PRESS-FIT TAILS) PLATED THROUGH-HOLE REQUIREMENTS				
		DRILLED HOLE DIAMETER	COPPER THICKNESS	TIN-LEAD THICKNESS	TIN THICKNESS	FINISHED HOLE DIAMETER
POWER & SIGNAL	TIN-LEAD	0.81-0.86 (0.85 DRILL)	0.025 - 0.050	0.005 - 0.015	--	0.65 - 0.80
	IMMERSION TIN	0.81-0.86 (0.85 DRILL)	0.025 - 0.050	--	0.9 - 1.5um	0.70 - 0.80
	COPPER (SEE NOTE 7)	0.81-0.86 (0.85 DRILL)	0.025 - 0.050	--	--	0.70 - 0.80



Amphenol FCI

© 2016 AFCI

spec ref	dr	Julia Wang	2014/03/07	projection	MM	size	A2	scale	4:1
tolerance std	eng	Feng Zheng	2016/09/22			ecn no	ELX-DG-24961-1	rel level	Released
ISO 406	chr	Terris Liu	2016/09/22						
ISO 1101	appr	Pai-Ming Zheng	2016/09/22						
surface	linear	0.X	±0.5			product family	-		
ISO 1302	angular	0°	±2°	Amphenol FCI		title	HPCE BTB VT RECPT WITH GUIDE POST		
				Amphenol FCI		CONFIG. P+S - UNIVERSAL DRAWING	cat. no.	Product - Customer Drw	sheet 2 of 3
						div no	10125023	rev	B

10125023 - MM NN PP - LF

LEAD FREE

TAIL TYPE
NOTE 10

A	B
STB	PF

4 BEAM POWER CONTACT
(NEXT TO LEFT END)

2 BEAM POWER CONTACT
(NEXT TO SIGNAL)

SIGNAL CONTACT
(NEXT TO RIGHT END)



Example: The configuration above is 10125023-241224BLF
STD HPCE BTB VERT. PRESS-FIT RECEPT. 36P24S.
24P is 4 beam contact, 12P is 2 beam contact.

TABLE 4: PART NUMBER CODE. HPCE BTB STD VERT RECPT P+S CONFIG

NOTES:

- CONNECTOR MATERIALS:
HOUSING: HIGH TEMPERATURE THERMAL PLASTIC, BLACK
UL 94V-0 COMPLIANT
CONTACTS: HIGH PERFORMANCE COPPER ALLOY.
- CONTACT FINISH REF. GS-12-1125 SECTION 5.2.
- PRODUCT SPECIFICATION: GS-12-1125.
- APPLICATION SPECIFICATION: GS-20-0388.
- PART NUMBER AND DATE CODE TO BE MARKED ON THIS SURFACE.
THE MARK CAN BE OMITTED IF THERE IS NOT ENOUGH SPACE ON THIS SURFACE.
- PACKAGING MEETS FCI SPECIFICATION GS-14-2272.
- ALL HOLE SIZES ARE FINISHED HOLE SIZES.
- MOUNTING HOLES ARE UNPLATED:
Ø2.40 +/- 0.10 FOR PRESS-FIT TAILS
Ø2.18 +/- 0.03 FOR SOLDER TAILS
- PRESS FIT APPLICATION TOOL DRAWING: 10125182

- STB: SOLDER TO BOARD, 1.57-2.38mm PCB THICKNESS
PF: PRESS FIT, 1.57mm MINIMUM PCB THICKNESS.
- HOUSING COMPONENT WILL WITHSTAND EXPOSURE TO 245°C PEAK TEMPERATURE FOR 10 SECONDS IN A CONVECTION, INFRA-RED, OR VAPOR PHASE REFLOW OVEN.
- MAXIMUM OVERALL LENGTH IS 100mm.

DIM	TABLE 3. LENGTH FORMULAS
DIM A (12)	(MM + NN) / 2 x 2.54 + (PP / 2) x 1.27 + 16.02
DIM B	DIM A - 10.94

spec ref	dr	Julia Wang	2014/03/07	projection	MM	size	A2	scale	4:1
tolerance std	eng	Feng Zheng	2016/09/22			ecn no	ELX-DG-24961-1	rel level	Released
ISO 406	chr	Terris Liu	2016/09/22						
ISO 1101	appr	Pai-Ming Zheng	2016/09/22						
surface	linear	TOLERANCES UNLESS OTHERWISE SPECIFIED		product family		title	HPCE BTB VT RECPT WITH GUIDE POST		
ISO 1302		0.X	±0.5						
		0.XX	±0.25						
		0.XXX	±0.10						
	angular	0°	±2°	cat. no.		Product - Customer Drw	sheet 3 of 3	rev	B