

5

4

3

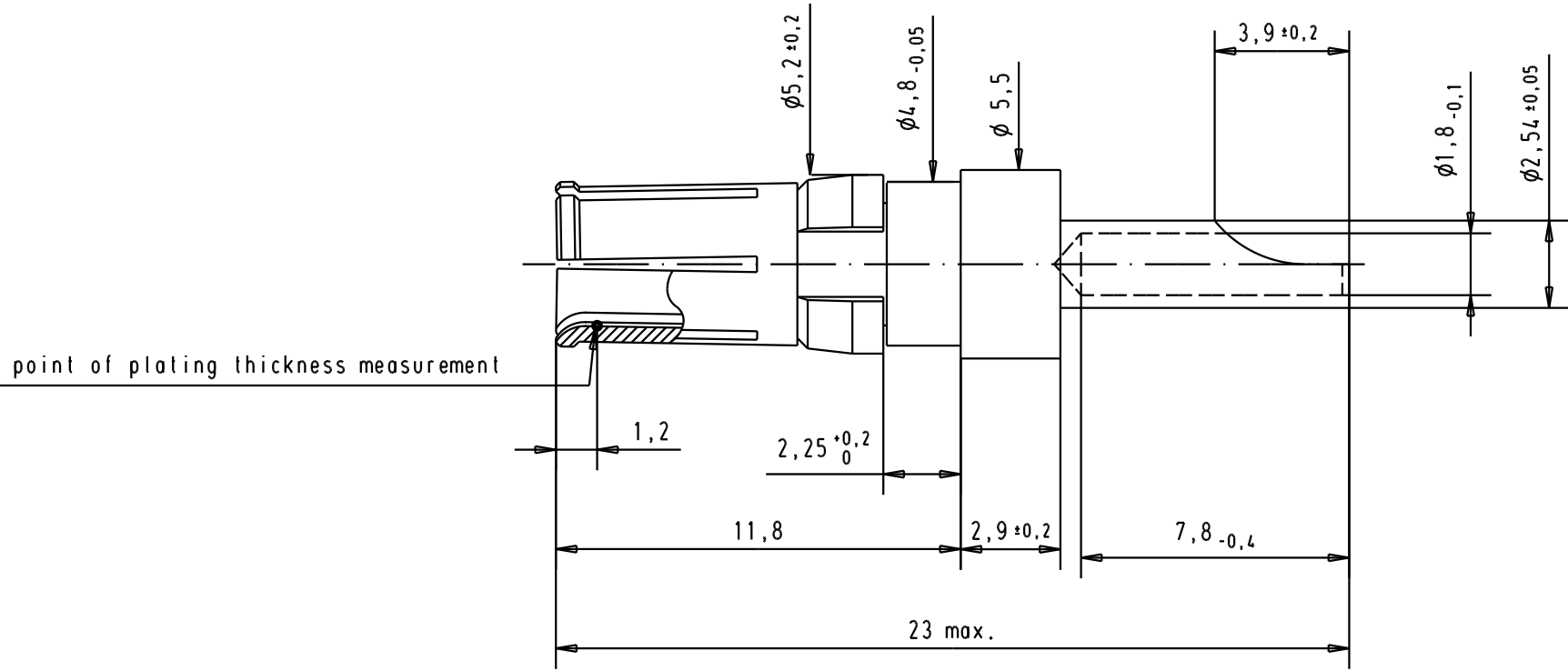
2

1

D

C

B



09691817420	Mating area	0,2 μm Au				Det.	14/04/04	Name	JH	 All Dim. in mm Orig. Size DIN A 4	Female High power contact, 10A, straight cable termination, solder	Maßstab/ Scale 5:1
	Termination area	5 μm Sn				Insp.						
09691815420	Mating area	0,8 μm Au				Stand.						
	Termination area	0,2 μm Au	31887	14/04/04	JH	HARTING EURL F-95972 Paris			TB 09 69 181 x420		Blatt / Page 1 / 1	
Part number	Plating		Mod.	Del.	Name				Sub.			