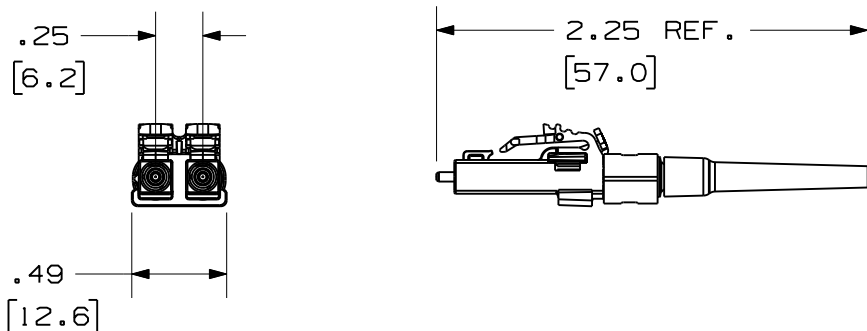
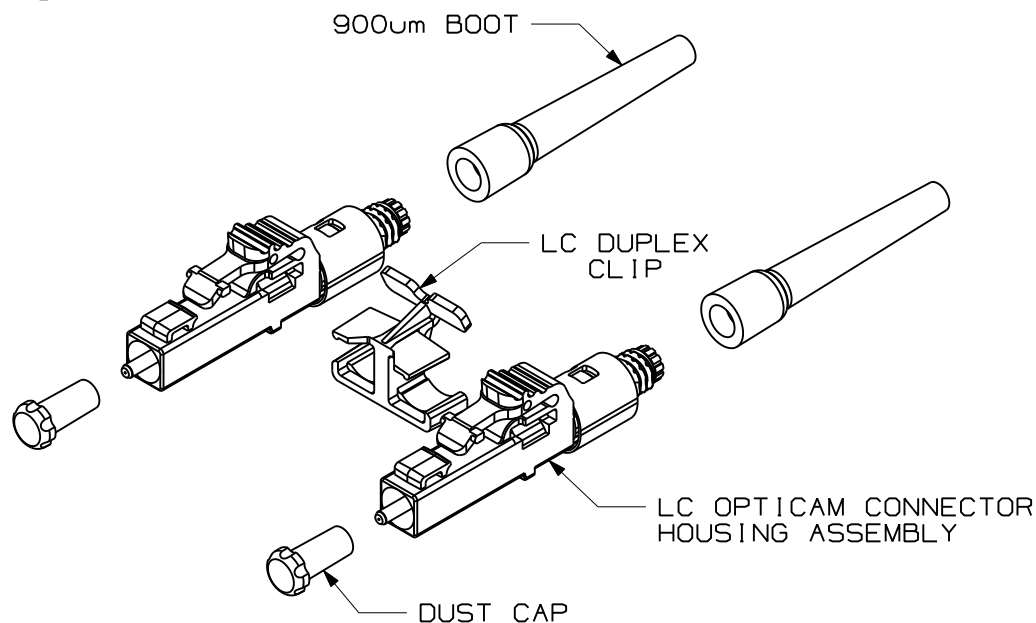


THIS COPY IS PROVIDED ON A RESTRICTED BASIS AND IS NOT TO BE USED IN ANY WAY DETRIMENTAL TO THE INTERESTS OF PANDUIT CORP.

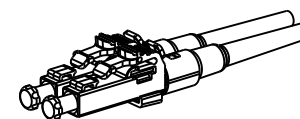


PANDUIT PART NUMBER	FIBER TYPE
FLCDMC5BLY	50/125um MULTIMODE
FLCDMC6BLY	62.5/125um MULTIMODE
FLCDMC6E1Y	62.5/125um MULTIMODE
FLCDMCXAQY	50/125um OM3 MULTIMODE
FLCDSCBUY	9/125um SINGLEMODE



NOTES:

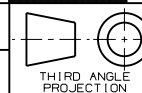
- SEE CATALOG FOR ADDITIONAL PART NUMBER SUFFIXES TO INDICATE COLOR AND/OR PACKAGE QUANTITY.
- ACCEPTS 50/125um, 62.5/125um, 50/125 OM3 MULTIMODE OR 9/125um SINGLEMODE 900um BUFFERED GLASS OPTICAL FIBER.
- FULLY COMPLIES WITH THE FIBER OPTIC CONNECTOR PERFORMANCE REQUIREMENTS AS SPECIFIED BY TIA/EIA-568-B.3.
- MATERIAL:  
BODY/HARDWARE: PLASTIC  
BOOT: THERMOPLASTIC RUBBER  
FERRULE: ZIRCONIA CERAMIC
- DIMENSIONS IN BRACKETS ARE METRIC [mm].
- ALL MATERIALS AND COMPONENTS USED MUST MEET THE MATERIAL RESTRICTIONS OF RoHS, (EUROPEAN DIRECTIVE 2002/95/EC ON THE RESTRICTION OF HAZARDOUS SUBSTANCES) AS PROPOSED BY THE RoHS TECHNICAL ADAPTATION COMMITTEE.



OPTICAM DUPLEX LC CONNECTOR  
WITH 900um BOOTS  
CUSTOMER DRAWING



**PANDUIT**™  
CORP.  
TINLEY PARK, ILL 60477



ALL DIMENSIONS ARE GIVEN IN INCHES  
UNLESS OTHERWISE SPECIFIED.  
DIMENSIONAL TOLERANCES ARE:  
(.X) ±.03 | (.XXX) ±.010 | (.3) ANGLES

DRAWING FILENAME  
M01801YD\_DC\_DUP/03B  
SCALE  
NONE

DRAWN BY  
MC

REVIEW DRAWING NUMBERS

PART NO.  
SEE TABLE

REV	DATE	BY	CHK	DESCRIPTION	ECN	R	CUST	SUP	OTH
2	09-01-11	MC	MTV	RELEASED TO PRODUCTION	01801-33	MTV	RWB		

DATE  
02-15-06  
CHK'D  
RTF1

DRAWING NO.  
01801-33  
SIZE  
A