

VYBRIDRSERIESEC

VF3xxR, VF5xxR

Features

- Operating characteristics
 - Voltage range 3 V to 3.6 V
 - Temperature range(ambient) -40 °C to 85 °C
- ARM® Cortex® A5 Core features
 - Up to 400 MHz ARM® Cortex® A5 core
 - 32 KB/32 KB I/D L1 Cache
 - 1.6 DMIPS/MHz based on ARMv7 architecture
 - NEON™ MPE (Media Processing Engine) Co-processor
 - Double Precision Floating Point Unit
 - 512 KB L2 cache (on selected part numbers only)
- ARM Cortex M4 Core features
 - Up to 133 MHz ARM Cortex M4
 - Integrated DSP capability
 - 64 KB Tightly Coupled Memory (TCM)
 - 16 KB/16 KB I/D L1 Cache
 - 1.25 DMIPS/MHz based on ARMv7 architecture
- Clocks
 - 24 MHz crystal oscillator
 - 32 kHz crystal oscillator
 - Internal reference clocks (128 KHz and 24 MHz)
 - Phase Locked Loops (PLLs)
 - Low Jitter Digital PLLs
- System debug, protection, and power management
 - Various stop, wait, and run modes to provide low power based on application needs
 - Peripheral clock enable register can disable clocks to unused modules, thereby reducing currents
 - Low voltage warning and detect with selectable trip points
 - Illegal opcode and illegal address detection with programmable reset or processor exception response
 - Hardware CRC module to support fast cyclic redundancy checks (CRC)
 - 128-bit unique chip identifier
 - Hardware watchdog
 - External Watchdog Monitor (EWM)
 - Dual DMA controller with 32 channels (with DMAMUX)
- Debug
 - Standard JTAG
 - 16-bit Trace port
- Timers
 - Motor control/general purpose timer (FTM)
 - Periodic Interrupt Timers (PITs)
 - Low-power timer (LPTMR0)
 - IEEE 1588 Timer per MAC interface (part of Ethernet Subsystem)
- Communications
 - Six Universal asynchronous receivers/transmitters (UART)/Serial communications interface (SCI) with LIN, ISO7816, IrDA, and hardware flow control
 - Four Deserial Serial peripheral interface (DSPI)
 - Four Inter-Integrated Circuit (I2C) with SMBUS support
 - Dual USB OTG Controller + PHY
 - Dual 4/8 bit Secure Digital Host controller
 - Local Media Bus (MLB50)
 - Dual 10/100 Ethernet (IEEE 1588)
 - Dual FlexCAN3
- Security
 - ARM TrustZone including the TZ architecture
 - Secure Non-Volatile Storage (SNVS)
 - Real Time Clock
 - Real Time Integrity Checker (RTIC)
 - TrustZone Watchdog (TZ WDOG)
 - Trust Zone Address Space Controller
 - Random Number Generator
 - Hashing
 - Secure JTAG
- Memory Interfaces
 - 8/16-bit DRAM Controller with support for LPDDR2/DDR3 - Up to 400 MHz (ECC supported for 8-bit only and not 16-bit)
 - 8/16-bit NAND Flash controller with ECC (ECC supported for 8-bit only and not 16-bit)
 - Dual Quad SPI with XIP (Execute-In-Place)
 - 8/16/32-bit External bus (Flexbus)

- Display and Video
 - Dual Display Control Unit (DCU) with support for color TFT display up to WVGA
 - Segmented LCD (3V Glass only) configurable as 40x4, 38x8, and 36x6
 - Video Interface Unit (VIU) for camera
 - Open VG Graphics Processing Unit (GPU)
 - VideoADC
- Analog
 - Dual 12-bit SAR ADC with 1MS/s
 - Dual 12-bit DAC
- Audio
 - Four Synchronous Audio Interface (SAI)
 - Enhanced Serial Audio Interface (ESAI)
 - Sony Philips Digital Interface (SPDIF), Rx and Tx
 - Asynchronous Sample Rate Converter (ASRC)
- Human-Machine Interface (HMI)
 - GPIO pins with interrupt support, DMA request capability, digital glitch filter.
 - Hysteresis and configurable pull up/down device on all input pins
 - Configurable slew rate and drive strength on all output pins
- On-Chip Memory
 - 512 KB On-chip SRAM with ECC
 - 1 MB On-chip graphics SRAM (no ECC). This depends on the part selected. Alternate configuration could be 512 KB graphics and 512 KB L2 cache.
 - 96 KB Boot ROM

Table of Contents

| | | | | | |
|---------|--|----|---------|--|----|
| 1 | Ordering parts..... | 5 | 6.2.5.1 | Power Down Mode..... | 20 |
| 1.1 | Determining valid orderable parts | 5 | 6.2.6 | EMC radiated emissions operating behaviors..... | 21 |
| 2 | Part identification..... | 5 | 6.2.7 | EMC Radiated Emissions Web Search Procedure boilerplate..... | 21 |
| 2.1 | Description..... | 5 | 6.2.8 | Capacitance attributes..... | 21 |
| 2.2 | Part Number Format..... | 5 | 7 | I/O parameters..... | 22 |
| 2.3 | Part Numbers | 6 | 7.1 | GPIO parameters..... | 22 |
| 3 | Terminology and guidelines..... | 7 | 7.1.1 | Output Buffer Impedance measurement..... | 24 |
| 3.1 | Definition: Operating requirement..... | 7 | 7.2 | DDR parameters..... | 24 |
| 3.2 | Definition: Operating behavior..... | 8 | 8 | Power supplies and sequencing..... | 28 |
| 3.3 | Definition: Attribute..... | 8 | 8.1 | Power sequencing | 28 |
| 3.4 | Definition: Rating..... | 8 | 8.2 | Power supply..... | 29 |
| 3.5 | Result of exceeding a rating..... | 9 | 8.3 | Absolute maximum ratings..... | 31 |
| 3.6 | Relationship between ratings and operating requirements..... | 9 | 8.4 | Recommended operating conditions..... | 32 |
| 3.7 | Guidelines for ratings and operating requirements..... | 10 | 8.5 | Recommended Connections for Unused Analog Interfaces... | 33 |
| 3.8 | Definition: Typical value..... | 10 | 9 | Peripheral operating requirements and behaviours..... | 34 |
| 3.9 | Typical Value Conditions..... | 11 | 9.1 | Analog..... | 34 |
| 4 | Handling ratings..... | 11 | 9.1.1 | 12-bit ADC electrical characteristics..... | 34 |
| 4.1 | ESD handling ratings | 11 | 9.1.1.1 | 12-bit ADC operating conditions..... | 34 |
| 4.2 | Thermal handling ratings..... | 12 | 9.1.1.2 | 12-bit ADC characteristics..... | 35 |
| 4.3 | Moisture handling ratings..... | 12 | 9.1.2 | 12-bit DAC electrical characteristics..... | 39 |
| 5 | Operating Requirements..... | 12 | 9.1.2.1 | 12-bit DAC operating requirements.... | 39 |
| 5.1 | Thermal operating requirements..... | 12 | 9.1.2.2 | 12-bit DAC operating behaviors..... | 39 |
| 6 | General..... | 12 | 9.1.3 | VideoADC Specifications..... | 43 |
| 6.1 | AC electrical characteristics..... | 12 | 9.2 | Display and Video interfaces..... | 45 |
| 6.2 | Nonswitching electrical specifications | 13 | 9.2.1 | DCU Switching Specifications..... | 45 |
| 6.2.1 | VREG electrical specifications | 13 | 9.2.1.1 | Interface to TFT panels (DCU0/1)..... | 45 |
| 6.2.1.1 | HPREG electrical characteristics..... | 13 | 9.2.1.2 | Interface to TFT LCD Panels—Pixel Level Timings..... | 46 |
| 6.2.1.2 | LPREG electrical characteristics..... | 14 | 9.2.1.3 | Interface to TFT LCD panels—access level..... | 47 |
| 6.2.1.3 | ULPREG electrical characteristics..... | 14 | 9.2.2 | Video Input Unit timing..... | 48 |
| 6.2.1.4 | WBREG electrical characteristics..... | 15 | 9.2.3 | LCD driver electrical characteristics..... | 49 |
| 6.2.1.5 | External NPN Ballast..... | 15 | 9.3 | Ethernet specifications..... | 50 |
| 6.2.2 | LVD electrical specifications | 17 | 9.3.1 | Ethernet Switching Specifications..... | 50 |
| 6.2.2.1 | Main Supply electrical characteristics | 17 | 9.3.2 | Receive and Transmit signal timing specifications | 50 |
| 6.2.2.2 | LVD DIG characteristics..... | 18 | 9.3.3 | Receive and Transmit signal timing specifications for MII interfaces..... | 51 |
| 6.2.3 | LDO electrical specifications | 18 | 9.4 | Audio interfaces..... | 53 |
| 6.2.3.1 | LDO_IP1..... | 18 | | | |
| 6.2.3.2 | LDO_2P5..... | 19 | | | |
| 6.2.3.3 | LDO_3P0 | 19 | | | |
| 6.2.4 | Power consumption operating behaviors..... | 20 | | | |
| 6.2.5 | USB PHY current consumption..... | 20 | | | |

| | | | | | |
|---------|--|----|--------|---|-----|
| 9.4.1 | Enhanced Serial Audio Interface (ESAI) Timing Parameters..... | 53 | 9.7.4 | Slow internal RC oscillator (128 KHz) electrical characteristics..... | 84 |
| 9.4.2 | SPDIF Timing Parameters..... | 55 | 9.7.5 | PLL1 and PLL2 (528 MHz System PLL) Electrical Parameters..... | 84 |
| 9.4.3 | SAI/I2S Switching Specifications..... | 56 | 9.7.6 | PLL3 and PLL7 (480 MHz USB PLL) Electrical Parameters..... | 84 |
| 9.5 | Memory interfaces..... | 58 | 9.7.7 | PLL5 (Ethernet PLL) Electrical Parameters..... | 85 |
| 9.5.1 | QuadSPI timing..... | 58 | 9.7.8 | PLL4 (Audio PLL) Electrical Parameters..... | 85 |
| 9.5.2 | NAND flash controller specifications..... | 61 | 9.7.9 | PLL6 (Video PLL) Electrical Parameters..... | 85 |
| 9.5.3 | FlexBus timing specifications..... | 64 | 9.8 | Debug specifications..... | 86 |
| 9.5.4 | DDR controller specifications..... | 66 | 9.8.1 | JTAG electricals..... | 86 |
| 9.5.4.1 | DDR3 Timing Parameters | 66 | 9.8.2 | Debug trace timing specifications..... | 88 |
| 9.5.4.2 | DDR3 Read Cycle..... | 68 | 10 | Thermal attributes..... | 89 |
| 9.5.4.3 | DDR3 Write cycle..... | 69 | 10.1 | Thermal attributes..... | 89 |
| 9.5.4.4 | LPDDR2 Timing Parameter..... | 70 | 11 | Dimensions..... | 90 |
| 9.5.4.5 | LPDDR2 Read Cycle..... | 71 | 11.1 | Obtaining package dimensions | 90 |
| 9.5.4.6 | LPDDR2 Write Cycle..... | 72 | 12 | Pinouts..... | 91 |
| 9.6 | Communication interfaces..... | 73 | 12.1 | Pinouts..... | 91 |
| 9.6.1 | MediaLB (MLB) DC Characteristics..... | 73 | 12.2 | Pinout diagrams..... | 103 |
| 9.6.2 | MediaLB (MLB) Controller AC Timing Electrical Specifications..... | 73 | 12.2.1 | GPIO Mapping..... | 105 |
| 9.6.3 | DSPI timing specifications..... | 75 | 12.2.2 | Special Signal | 109 |
| 9.6.4 | I2C timing..... | 78 | 13 | Power Supply Pins..... | 111 |
| 9.6.5 | SDHC specifications..... | 80 | 13.1 | Power Supply Pins..... | 111 |
| 9.6.6 | USB PHY specifications..... | 81 | 14 | Functional Assignment Pins..... | 112 |
| 9.7 | Clocks and PLL Specifications..... | 81 | 14.1 | Functional Assignment Pins..... | 112 |
| 9.7.1 | 24 MHz Oscillator Specifications..... | 81 | 15 | Revision History..... | 121 |
| 9.7.2 | 32 KHz Oscillator Specifications..... | 82 | | | |
| 9.7.3 | Fast internal RC oscillator (24 MHz) electrical characteristics..... | 83 | | | |

1 Ordering parts

1.1 Determining valid orderable parts

Valid orderable part numbers are provided on the web.

1. To determine the orderable part numbers for this device, go to www.nxp.com and search the required part number. The part numbering format is described in the section that follows.

2 Part identification

2.1 Description

Part numbers for the chip have fields that identify the specific part. You can use the values of these fields to determine the specific part you have received.

2.2 Part Number Format

The figure below represents the format of part number of this device.



Figure 1. Part Number Format

2.3 Part Numbers

This table lists the part numbers on the device.

| Part Number | Mask | VADC | Package | Description |
|----------------|-------|------|------------------------|--|
| SVF311R3K2CKU2 | 3N02G | YES | LQFP-EP 176 24*24*1.6 | A5-266, 176LQFP-EP |
| SVF312R3K2CKU2 | 3N02G | YES | LQFP-EP 176 24*24*1.6 | A5-266, OpenVG GPU, 176LQFP-EP |
| SVF321R3K2CKU2 | 3N02G | YES | LQFP-EP 176 24*24*1.6 | A5-266, M4, 176LQFP-EP |
| SVF322R3K2CKU2 | 3N02G | YES | LQFP-EP 176 24*24*1.6 | A5-266, M4, OpenVG GPU, 176LQFP |
| SVF331R3K2CKU2 | 3N02G | YES | LQFP-EP 176 24*24*1.6 | A5-266, M4 Primary, 176LQFP-EP |
| SVF332R3K2CKU2 | 3N02G | YES | LQFP-EP 176 24*24*1.6 | A5-266, M4 Primary, OpenVG GPU, 176LQFP-EP |
| SVF511R3K2CMK4 | 3N02G | YES | MAP 364 17*17*1.5 P0.8 | A5-400, 364BGA |
| SVF512R3K2CMK4 | 3N02G | YES | MAP 364 17*17*1.5 P0.8 | A5-400, OpenVG GPU, 364BGA |
| SVF521R3K2CMK4 | 3N02G | YES | MAP 364 17*17*1.5 P0.8 | A5-400, M4, 364BGA |
| SVF522R2K2CMK4 | 3N02G | YES | MAP 364 17*17*1.5 P0.8 | A5-400, M4, L2 Cache, OpenVG GPU, 364BGA |
| SVF522R3K2CMK4 | 3N02G | YES | MAP 364 17*17*1.5 P0.8 | A5-400, M4, OpenVG GPU, 364BG |

Table continues on the next page...

| Part Number | Mask | VADC | Package | Description |
|----------------|-------|------|------------------------|---|
| SVF531R3K2CMK4 | 3N02G | YES | MAP 364 17*17*1.5 P0.8 | A5-400, M4 Primary, 364BG |
| SVF532R2K2CMK4 | 3N02G | YES | MAP 364 17*17*1.5 P0.8 | A5-400, M4 Primary, L2 Cache OpenVG GPU, 364BGA |
| SVF532R3K2CMK4 | 3N02G | YES | MAP 364 17*17*1.5 P0.8 | A5-400, M4 Primary, OpenVG GPU, 364BGA |
| SVF311R3N2CKU2 | 3N02G | NO | LQFP-EP 176 24*24*1.6 | A5-266, 176LQFP-EP |
| SVF312R3N2CKU2 | 3N02G | NO | LQFP-EP 176 24*24*1.6 | A5-266, OpenVG GPU, 176LQFP-EP |
| SVF321R3N2CKU2 | 3N02G | NO | LQFP-EP 176 24*24*1.6 | A5-266, M4, 176LQFP-EP |
| SVF322R3N2CKU2 | 3N02G | NO | LQFP-EP 176 24*24*1.6 | A5-266, M4, OpenVG GPU, 176LQFP |
| SVF331R3N2CKU2 | 3N02G | NO | LQFP-EP 176 24*24*1.6 | A5-266, M4 Primary, 176LQFP-EP |
| SVF332R3N2CKU2 | 3N02G | NO | LQFP-EP 176 24*24*1.6 | A5-266, M4 Primary, OpenVG GPU, 176LQFP-EP |
| SVF511R3N2CMK4 | 3N02G | NO | MAP 364 17*17*1.5 P0.8 | A5-400, 364BGA |
| SVF512R3N2CMK4 | 3N02G | NO | MAP 364 17*17*1.5 P0.8 | A5-400, OpenVG GPU, 364BGA |
| SVF521R3N2CMK4 | 3N02G | NO | MAP 364 17*17*1.5 P0.8 | A5-400, M4, 364BGA |
| SVF522R2N2CMK4 | 3N02G | NO | MAP 364 17*17*1.5 P0.8 | A5-400, M4, L2 Cache, OpenVG GPU, 364BGA |
| SVF522R3N2CMK4 | 3N02G | NO | MAP 364 17*17*1.5 P0.8 | A5-400, M4, OpenVG GPU, 364BG |
| SVF531R3N2CMK4 | 3N02G | NO | MAP 364 17*17*1.5 P0.8 | A5-400, M4 Primary, 364BG |
| SVF532R2N2CMK4 | 3N02G | NO | MAP 364 17*17*1.5 P0.8 | A5-400, M4 Primary, L2 Cache OpenVG GPU, 364BGA |
| SVF532R3N2CMK4 | 3N02G | NO | MAP 364 17*17*1.5 P0.8 | A5-400, M4 Primary, OpenVG GPU, 364BGA |

3 Terminology and guidelines

3.1 Definition: Operating requirement

An *operating requirement* is a specified value or range of values for a technical characteristic that you must guarantee during operation to avoid incorrect operation and possibly decreasing the useful life of the chip.

3.1.1 Example

This is an example of an operating requirement:

| Symbol | Description | Min. | Max. | Unit |
|-----------------|---------------------------|------|------|------|
| V _{DD} | 1.0 V core supply voltage | 0.9 | 1.1 | V |

3.2 Definition: Operating behavior

Unless otherwise specified, an *operating behavior* is a specified value or range of values for a technical characteristic that are guaranteed during operation if you meet the operating requirements and any other specified conditions.

3.2.1 Example

This is an example of an operating behavior:

| Symbol | Description | Min. | Max. | Unit |
|-----------------|--|------|------|------|
| I _{WP} | Digital I/O weak pullup/pulldown current | 10 | 130 | μA |

3.3 Definition: Attribute

An *attribute* is a specified value or range of values for a technical characteristic that are guaranteed, regardless of whether you meet the operating requirements.

3.3.1 Example

This is an example of an attribute:

| Symbol | Description | Min. | Max. | Unit |
|--------|---------------------------------|------|------|------|
| CIN_D | Input capacitance: digital pins | — | 7 | pF |

3.4 Definition: Rating

A *rating* is a minimum or maximum value of a technical characteristic that, if exceeded, may cause permanent chip failure:

- *Operating ratings* apply during operation of the chip.
- *Handling ratings* apply when the chip is not powered.

3.4.1 Example

This is an example of an operating rating:

| Symbol | Description | Min. | Max. | Unit |
|-----------------|---------------------------|------|------|------|
| V _{DD} | 1.0 V core supply voltage | -0.3 | 1.2 | V |

3.5 Result of exceeding a rating



3.6 Relationship between ratings and operating requirements



3.7 Guidelines for ratings and operating requirements

Follow these guidelines for ratings and operating requirements:

- Never exceed any of the chip's ratings.
- During normal operation, don't exceed any of the chip's operating requirements.
- If you must exceed an operating requirement at times other than during normal operation (for example, during power sequencing), limit the duration as much as possible.

3.8 Definition: Typical value

A *typical value* is a specified value for a technical characteristic that:

- Lies within the range of values specified by the operating behavior
- Given the typical manufacturing process, is representative of that characteristic during operation when you meet the typical-value conditions or other specified conditions

Typical values are provided as design guidelines and are neither tested nor guaranteed.

3.8.1 Example 1

This is an example of an operating behavior that includes a typical value:

| Symbol | Description | Min. | Typ. | Max. | Unit |
|----------|--|------|------|------|---------------|
| I_{WP} | Digital I/O weak pullup/pulldown current | 10 | 70 | 130 | μA |

3.8.2 Example 2

This is an example of a chart that shows typical values for various voltage and temperature conditions:



3.9 Typical Value Conditions

Typical values assume you meet the following conditions (or other conditions as specified):

| Symbol | Description | Value | Unit |
|-----------------|----------------------|-------|------|
| T _A | Ambient temperature | 25 | °C |
| V _{DD} | 3.3 V supply voltage | 3.3 | V |

4 Handling ratings

4.1 ESD handling ratings

| Symbol | Description | Min. | Max. | Unit | Notes |
|------------------|---|-------|------|------|-------|
| V _{HBM} | Electrostatic discharge voltage, human body model | -2000 | 2000 | V | 1 |
| V _{CDM} | Electrostatic discharge voltage, charged-device model | -500 | 500 | V | 2 |
| I _{LAT} | Latch-up Current at ambient temperature of 85 °C | -100 | 100 | mA | |

1. Determined according to the AEC spec AEC-Q100-002 for HBM
2. Determined according to AEC spec AEC-Q100-011

4.2 Thermal handling ratings

| Symbol | Description | Min. | Max. | Unit | Notes |
|------------------|-------------------------------|------|------|------|-------|
| T _{STG} | Storage temperature | -55 | 150 | °C | 1 |
| T _{SDR} | Solder temperature, lead-free | — | 260 | °C | 2 |
| | Solder temperature, leaded | — | 245 | | |

1. Determined according to JEDEC Standard JESD22-A103, *High Temperature Storage Life*.
2. Determined according to IPC/JEDEC Standard J-STD-020, *Moisture/Reflow Sensitivity Classification for Nonhermetic Solid State Surface Mount Devices*.

4.3 Moisture handling ratings

| Symbol | Description | Min. | Max. | Unit | Notes |
|--------|----------------------------|------|------|------|-------|
| MSL | Moisture sensitivity level | — | 3 | — | 1 |

1. Determined according to IPC/JEDEC Standard J-STD-020, *Moisture/Reflow Sensitivity Classification for Nonhermetic Solid State Surface Mount Devices*.

5 Operating Requirements

5.1 Thermal operating requirements

Table 1. Thermal operating requirements

| Symbol | Description | Min. | Max. | Unit |
|----------------|----------------------|------|------|------|
| T _A | Ambient temperature | -40 | 85 | °C |
| T _J | Junction temperature | — | 105 | °C |

6 General

6.1 AC electrical characteristics

Unless otherwise specified, propagation delays are measured from the 50% to the 50% point, and rise and fall times are measured at the 20% and 80% points, as shown in the following figure.



The midpoint is $V_{IL} + (V_{IH} - V_{IL}) / 2$

Figure 2. Input signal measurement reference

6.2 Nonswitching electrical specifications

6.2.1 VREG electrical specifications

6.2.1.1 HPREG electrical characteristics

Table 2. HPREG electrical characteristics

| Parameters | Min | Typ | Max | Unit | Comments |
|----------------------------------|------|------|-------------------|---------|---|
| Power supply | 3.0 | 3.3 | 3.6 | V | - |
| Current Consumption | - | 1.2 | 1.5 | mA | @ no load |
| | - | 2.0 | 2.5 | mA | @ full load |
| Output current capacity | - | 600 | 1200 ¹ | mA | DC load current |
| Output voltage @ no load | | 1.23 | 1.26 | V | |
| Output voltage @ full load | 1.20 | 1.21 | | V | |
| External decoupling cap | 4.7 | | - | μ F | - |
| | 0.05 | | 0.1 | Ohms | ESR of external cap |
| | | | 20 | mOhms | Total effective PAD+PCB trace resistances |
| PSRR with 4.7 μ F output cap | | | | | |
| @ DC @ no load | | | -48 | dB | |
| @ DC @ full load | | | -40 | | |
| @ worst case any frequency | | | -20 | | |

1. This is peak and not continuous maximum value.

6.2.1.2 LPREG electrical characteristics

Table 3. LPREG electrical characteristics

| Parameters | Min | Typ | Max | Unit | Comments |
|----------------------------|-------|------|-------|-------|--------------------------------|
| Power supply | 3.0 | 3.3 | 3.6 | V | |
| Current Consumption | 350 | 400 | | μA | @ no load |
| | - | 500 | 650 | μA | @ full load |
| Output current capacity | | 100 | 200 | mA | DC load current |
| Output voltage @ no load | | 1.22 | 1.240 | V | |
| Output voltage @ full load | 1.180 | | | V | |
| External decoupling cap | 4.7 | | | μF | |
| | 0.05 | | 0.1 | Ohms | ESR of external cap |
| | | | 20 | mOhms | Total PAD+PCB trace resistance |
| PSRR with 4.7uF output cap | | | | | |
| @ DC @noload | | | -40 | dB | |
| @ DC @full load | | | -35 | | |
| Worst case @ any frequency | | | -12 | | |

6.2.1.3 ULPREG electrical characteristics

Table 4. ULPREG electrical characteristics

| Parameters | Min | Typ | Max | Unit | Comments |
|---------------------------------------|-------|-----|-------|------|--|
| Power supply | 3.0 | 3.3 | 3.6 | V | |
| Current Consumption | 1.88 | 2.3 | 2.86 | μA | @ no load |
| | - | 610 | 670 | μA | @ full load |
| Output current capacity | | | 20 | mA | DC load current |
| Output voltage @ no load | | | 1.175 | V | |
| Output voltage @ full load | 1.125 | | | V | |
| PSRR with 500 pF output cap | -20 | | | dB | Worst case at any frequency across corners |
| @ DC @noload | | | -50 | dB | |
| @200KHz @noload | | | -37 | | |
| @ DC @full load | | | -42 | | |
| @200KHz @full load | | | -37 | | |
| Worst case @ any frequency @ any load | | | -15 | | |

6.2.1.4 WBREG electrical characteristics

Table 5. WBREG electrical characteristics

| Parameters | Min | Typ | Max | Unit | Comments |
|--------------------------------|-------|-------|-------|------|------------------------|
| Power supply | 3 | 3.3 | 3.6 | V | - |
| Current Consumption | - | 2 | 5 | μA | @ no load |
| | - | 2 | 5 | μA | @ full load |
| Output current capacity | - | 1 | 2 | mA | DC load current |
| Output voltage @ no load | | 1.4 | 1.425 | V | |
| Output voltage @ full load | 1.375 | 1.398 | | V | |
| Output voltage programmability | 1.4 | 1.4 | 1.7 | V | 16 steps of 25 mV each |

6.2.1.5 External NPN Ballast

The internal main regulator requires an external NPN ballast transistor to be connected as shown in the following figure as well as an external capacitance to be connected to the device in order to provide a stable 1.2V digital supply to the device. The HPREG design allows for collector voltage lower than VDDREG value. See AN4807 at www.nxp.com.

NOTE

To not overload BCTRL output, collector voltage should appear no later than $VDDREG / VDD33$ (3.3V).



Figure 3. External NPN Ballast connections

Table 6. BCTRL OUTPUT specification

| Parameter | Value | Comments |
|----------------------------|-------------|---|
| BCTRL OUTPUT specification | 20mA | BCTRL driver can not drive more than 20mA current |
| Maximum pin voltage | VDDREG-0.5V | For Example, VDDREG =3.0V BCTRL should not exceed 2.5V. |

Table 7. Assumptions For calculations

| Parameter | Value |
|--------------------------|---|
| VDDREG | 3.0V to 3.6V with typical value of 3.3V |
| Max DC Collector current | 0.85A @85 °C |
| Emitter voltage | 1.2V to 1.25V |
| Collector voltage | Equal to VDDREG |

Table 8. General guidelines for selection of NPN ballast

| Symbol | Parameters | Value | Unit | Comments |
|--------------------------|--------------------------------------|-------|------|--|
| Hfe | Minimum DC current gain (Beta) | 42.5 | | As BCTRL pin can not drive more than 20mA Minimum value of beta for a collector current of 0.85A comes out to be 42.5. |
| PD (Junction to ambient) | Minimum power dissipation @ TA=85 °C | 2.04 | W | Assuming 0.85A collector current with Collector voltage of Ballast 3.6V(max) we get VCE= 3.6V-1.2V=2.4V So power dissipated is 2.4V*0.85A=2.04W . This should be met for junction to ambient power dissipation spec of ballast |

Table continues on the next page...

Table 8. General guidelines for selection of NPN ballast (continued)

| Symbol | Parameters | Value | Unit | Comments |
|-------------------------|--|-------------------------|------|--|
| I _{cm} DC peak | Maximum peak DC collector current | 0.85 | A | 1.2A and above capacity device preferable |
| V _{BE} | Maximum voltage that BCTRL pin can drive | 1.25V for 0.85A @ 85 °C | V | For a VDDREG of 3.0 V (min.), BCTRL pin can drive voltage up to VDDREG - 0.5 V = 2.5 V. Since emitter of ballast is fixed at 1.25 V (max) if chosen ballast can supply 0.85 A collector current @ 85 °C with a base-to-emitter voltage of 1.25 V or lower, it is suitable for application. |
| F _t | Unity current gain Frequency of Ballast | 50 | MHz | |

Reducing the collector-to-emitter voltage drop lowers the ballast transistor heat dissipation. This can be implemented in two ways:

1. By introducing series resistor or diode(s) between the collector and VDDREG (placed far enough from the transistor for proper cooling)
2. By connecting the collector to a separate lower-voltage supply

In both of the above cases the transistor has to stay away from the deep saturation region; otherwise, due to significant H_{fe} degradation, its base current exceeds the BCTRL output maximum value.

In general, the transistor must be selected such that its V_{ce} saturation voltage is lower than the expected minimum Collector-Emitter voltage, and at the same time, the base current is less than 20 mA for the maximum expected collector current. More information can be found in collateral documentation at <http://www.nxp.com>

6.2.2 LVD electrical specifications

6.2.2.1 Main Supply electrical characteristics

Table 9. LVD_MAIN supply electrical characteristics

| Main Supply LVD Parameters | Min | Typ | Max | Unit | Comments |
|---|-------|------|-------|------|---|
| Power supply | 3.0 | 3.3 | 3.6 | V | |
| Upper voltage threshold (value @27°C) | | 2.76 | 2.915 | V | |
| Lower voltage threshold (value @27°C) | 2.656 | 2.73 | | V | |
| Time constant of RC filter at LVD input (0.69*RC) | 3.3 | | | µs | 3.3 V noise rejection at LVD comparator input |

6.2.2.2 LVD DIG characteristics

Table 10. LVD DIG electrical specifications [HPREG(RUN MODE) and LPREG(STOP MODE)]

| LVD DIG Parameters | Min | Typ | Max | Unit | Comments |
|---|-------|------|-------|------|---|
| Power supply | 3.0 | 3.3 | 3.6 | V | |
| Upper voltage threshold | 1.135 | 1.16 | 1.185 | V | |
| Lower voltage threshold | 1.105 | 1.13 | 1.155 | V | |
| Time constant of RC filter at LVD input | 200 | | | ns | 1.2V noise rejection at the input of LVD comparator |

Table 11. LVD DIG electrical specifications [ULPREG(STANDBY MODE)]

| LVD DIG Parameters | Min | Typ | Max | Unit | Comments |
|---|-------|------|-------|------|---|
| Power supply | 3.0 | 3.3 | 3.6 | V | |
| Upper voltage threshold | 1.105 | 1.13 | 1.155 | V | |
| Lower voltage threshold | 1.075 | 1.10 | 1.125 | V | |
| Time constant of RC filter at LVD input | 200 | | | ns | 1.2V noise rejection at the input of LVD comparator |

6.2.3 LDO electrical specifications

6.2.3.1 LDO_1P1

Table 12. LDO_1P1 parameters

| Specification | Min | Typ | Max | Unit | Comments |
|---------------------------------------|------|------|-----|------|----------------------------|
| VDDIO | 3 | 3.3 | 3.6 | V | IO supply |
| VDD1P1_OUT | 0.9 | 1.1 | 1.2 | V | Regulator output |
| I_out | - | | 150 | mA | >= 300mV drop out |
| Regulator output programming range | 0.8 | 1.1 | 1.4 | V | Programmable in 25mV steps |
| Brownout Voltage | 0.85 | 0.94 | | V | |
| Brownout offset step | 0 | - | 175 | mV | Programmable in 25mV steps |
| Minimum external decoupling capacitor | 1 | - | - | μF | low ESR |

For additional information, see the device reference manual.

6.2.3.2 LDO_2P5

Table 13. LDO_2P5 parameters

| Specification | Min | Typ | Max | Unit | Comments |
|---------------------------------------|------|------|------|------|----------------------------|
| VDDIO | 3 | 3.3 | 3.6 | V | IO supply |
| VDD2P5_OUT | 2.3 | 2.5 | 2.6 | V | Regulator output |
| I_out | - | | 350 | mA | @500mV drop out |
| Regulator output programming range | 2.0 | 2.5 | 2.75 | V | Programmable in 25mV steps |
| [P:][C:] Brownout Voltage | 2.25 | 2.33 | | V | |
| Brownout offset step | 0 | - | 175 | mV | Programmable in 25mV steps |
| Minimum external decoupling capacitor | 1 | - | - | μF | low ESR |

For additional information, see the reference manual.

6.2.3.3 LDO_3P0

Table 14. LDO_3P0 parameters

| Specification | Min | Typ | Max | Unit | Comments |
|---------------------------------------|-------|------|------|------|-------------------------------------|
| Input OTG VBUS Supply | 4.4 | | 5.25 | V | |
| Input HOST VBUS Supply | 4.4 | | 5.25 | V | |
| VDD3P0_OUT | 2.9 | 3.0 | 3.1 | V | Regulator output at default setting |
| I_out | - | | 50 | mA | 500 mV drop-out voltage |
| Regulator output programming range | 2.625 | | 3.4 | V | Programmable in 25mV steps |
| [P:][C:] Brownout Voltage | 2.75 | 2.85 | | V | |
| Brownout offset step | 0 | - | 175 | mV | Programmable in 25mV steps |
| Minimum external decoupling capacitor | 1 | - | - | μF | low ESR |

NOTE

These values are with Anadig_REG_3P0[ENABLE_ILIMIT]= 0 and Anadig_REG_3P0[ENABLE_LINREG]= 1. It is required to set these values before using USB.

6.2.4 Power consumption operating behaviors**Table 15. Power consumption operating behaviors**

| Symbol | Description | Typ. ¹ | Max. ² | Unit | Notes |
|--|--|-------------------|-------------------|------|-------|
| IDD_RUN | Run mode current — All functionalities of the chip available | 400 | 850 | mA | |
| IDD_WAIT | Wait mode high frequency current at 3.3 V ± 10% | 80 | 500 | mA | 3 |
| IDD_LPRUN | Low-power run mode current at 3.3 V ± 10%, 24MHz operation, PLL Bypass. | 13 | 325 | mA | 4 |
| IDD_ULPRUN | Ultra-low-power run mode current at 3.3 V ± 10% | 12 | 395 | mA | 5 |
| IDD_STOP | Stop mode current at 3.3 V ± 10% | 7 | 300 | mA | 6 |
| IDD_LPS2 _{FIRC} /IDD_LPS3 _{FIRC} | Low power stop 2/low power stop 3 with FIRC enabled, current at 3.3 V ± 10% | 300 | 1300 | uA | 7 |
| IDD_LPS2/IDD_LPS3 | Low power stop 2/low power stop 3 with FIRC disabled, current at 3.3 V ± 10% | 50 | 875 | uA | 7 |
| IDD_VBAT | Battery backup mode | 5 | 45 | uA | 8 |

1. The Typ numbers represent the average value taken from a matrix lot of parts across normal process variation at ambient temperature.
2. The Max numbers represent the single worst case value taken from a matrix lot of parts across normal process variation at maximum temperature.
3. CA5, CM4 cores halted
4. 24MHz operation, PLL Bypass
5. 32 kHz /128 kHz operation, PLL Off
6. Lowest power mode with all power retained, RAM retention and LVD protection.
7. Standby Mode. 64K and 16K RAM retention. ADCs/DACs optionally power-gated. RTC functional. Wakeup from interrupts.
8. All supplies OFF, SRTC, 32kXOSC ON, tampers and monitors ON. 128k IRC optionally ON.

6.2.5 USB PHY current consumption**6.2.5.1 Power Down Mode**

Everything powered down, including the VBUS valid detectors, typ condition.

Table 16. USB PHY Current Consumption in Normal Mode

| | USBx_VBUS (3.0V) Avg | VDD33_LDOIN (2.5V) Avg | VDD33_LDOIN (1.1V) Avg |
|---------|----------------------------|------------------------------|------------------------------|
| Current | 5.1 µA | 1.7 µA | <0.5 µA |

NOTE

The currents on the 2.5 voltage regulator and 3.0 voltage regulator were identified to be the voltage divider circuits in the USB-specific level shifters.

6.2.6 EMC radiated emissions operating behaviors**Table 17. EMC radiated emissions operating behaviors**

| Symbol | Condition ¹ | Clocks | Frequency band ² | Level (Typ) ³ | Unit |
|------------------|--|--|-----------------------------|--------------------------|------|
| V _{EME} | Device Configuration, test conditions and EM testing per standard IEC 61967-2; Supply voltages: VDD= 5.0 V VDD33 = 3.3 V VDD15 = 1.5 V VDD12 = 1.2 V Temp = 25°C | FCPU = 396 MHz FBUS = 66 MHz External Crystal = 24 MHz | 150 KHz – 50 MHz | 22 | dBμV |
| | | | 50 MHz – 150 MHz | 24 | |
| | | | 150 MHz – 500 MHz | 25 | |
| | | | 500–1000 | 20 | |
| | | | IEC level ⁴ | K | |

1. Measurements were made per IEC 61967-2 while the device was running basic application code.
2. Measurements were performed on the BGA364 version of the device
3. The reported emission level is the value of the maximum measured emission, rounded up to the next whole number, from among the measured orientations in each frequency range.
4. IEC Level Maximums: N ≤ 12dBmV, M ≤ 18dBmV, L ≤ 24dBmV, K ≤ 30dBmV, I ≤ 36dBmV, H ≤ 42dBmV

6.2.7 EMC Radiated Emissions Web Search Procedure boilerplate

To find application notes that provide guidance on designing your system to minimize interference from radiated emissions:

1. Go to www.nxp.com.
2. Perform a keyword search for “EMC design.”

6.2.8 Capacitance attributes**Table 18. Capacitance attributes**

| Symbol | Description | Min. | Max. | Unit |
|-------------------|---------------------------------|------|------|------|
| C _{IN_A} | Input capacitance: analog pins | — | 7 | pF |
| C _{IN_D} | Input capacitance: digital pins | — | 7 | pF |

7 I/O parameters

7.1 GPIO parameters

Table 19. GPIO DC operating conditions

| Symbol | Parameter | Min | Typ | Max | Unit |
|-------------------|------------------------------|-----|-----|-----|------|
| vddi ¹ | Core internal supply voltage | | 1.2 | | V |
| ovdd | I/O output supply voltage | 3 | 3.3 | 3.6 | V |

1. This is internally controlled.

Table 20. GPIO DC Electrical characteristics

| Symbol | Parameter | Test condition | Min | Typ | Max | Unit |
|---------------------|---------------------------------|--|-----------|-----|----------|------|
| Voh | High-level output voltage | Ioh= -1mA VOH/VOL values are with respect to DSE=001 ¹ | ovdd-0.15 | | | V |
| Vol | Low-level output voltage | Iol= 1mA | | | 0.15 | V |
| Vih ² | High-Level DC input voltage | | 0.7*ovdd | | ovdd | V |
| Vil ² | Low-Level DC input voltage | | 0 | | 0.3*ovdd | V |
| Vhys | Input Hysteresis | ovdd=3.3 V | 250 | | | mV |
| Vt+ ^{2, 3} | Schmitt trigger VT+ | | 0.5*ovdd | | | V |
| Vt- ^{2, 3} | Schmitt trigger VT- | | | | 0.5*ovdd | V |
| Iin ⁴ | Input current (no pull-up/down) | Vin = ovdd or 0 | -1 | | 1 | uA |
| Iin_22pu | Input current (22KOhm PU) | Vin = 0 | | | 212 | uA |
| | | Vin = ovdd | | | 1 | |
| Iin_47pu | Input current (47KOhm PU) | Vin = 0 | | | 100 | |
| | | Vin = ovdd | | | 1 | |
| Iin_100pu | Input current (100KOhm PU) | Vin = 0 | | | 50 | |
| | | Vin = ovdd | | | 1 | |
| Iin_100pd | Input current (100KOhm PD) | Vin = 0 | | | 1 | |
| | | Vin = ovdd | | | 50 | |

Table continues on the next page...

Table 20. GPIO DC Electrical characteristics (continued)

| Symbol | Parameter | Test condition | Min | Typ | Max | Unit |
|----------|---------------------------------------|-------------------------------------|-----|-----|-----|------|
| R_Keeper | Keeper Circuit Resistance | Vin = 0.3 x OVDD VI = 0.7 x OVDD | 105 | | 175 | Ohm |
| Issod | Sink current in open drain mode | Vin = ovdd | | | 7 | mA |
| Issop | Sink/source current in Push Pull mode | Vin = ovdd | | | 7 | mA |

- For details about Software MUX Pad Control Register DSE bit, see IOMUX Controller chapter of the device reference manual.
- To maintain a valid level, the transitioning edge of the input must sustain a constant slew rate (monotonic) from the current DC level through to the target DC level, VIL or VIH. Monotonic input transition time is from 0.1ns to 1s. Vil and Vih do not apply when hysteresis is enabled.
- Hysteresis of 250 mV is guaranteed over all operating conditions when hysteresis is enabled.
- Typ condition: typ model, 3.3V, and 25°C. Max condition: bcs model, 3.6V, and -40°C. Min condition: wcs model, 3.0V and 85 °C. These values are for digital IO buffer cells.

Table 21. GPIO AC Electrical Characteristics (3.3V power mode)

| Symbol | Parameter | Drive strength ¹ | Slew rate | Test conditions | Min | Max | Unit |
|--------|--|-----------------------------|-----------|--|------|------|------|
| tpr | IO Output Transition Times (PA1), rise/fall | Max 1 1 1 | slow | 15pF Cload on pad, input edge rate 200ps | 1.70 | 1.81 | ns |
| | | | fast | | 1.04 | 1.18 | |
| | | High 1 0 1 | slow | | 2.30 | 2.44 | |
| | | | fast | | 1.69 | 1.79 | |
| | | Medium 1 0 0 | slow | | 3.07 | 3.31 | |
| | | | fast | | 2.45 | 2.61 | |
| | | Low 0 1 1 | slow | | 5.13 | 5.44 | |
| | | | fast | | 4.79 | 5.18 | |
| tpo | IO Output Propagation Delay (PA2), rise/fall | Max 1 1 1 | slow | 15pF Cload on pad, input edge rate 200ps | 5.01 | 5.04 | ns |
| | | | fast | | 3.06 | 3.10 | |
| | | High 1 0 1 | slow | | 5.55 | 5.68 | |
| | | | fast | | 3.52 | 3.55 | |
| | | Medium 1 0 0 | slow | | 6.37 | 6.67 | |
| | | | fast | | 4.04 | 4.11 | |
| | | Low 0 1 1 | slow | | 7.39 | 7.60 | |
| | | | fast | | 5.54 | 6.10 | |
| tpv | Output Enable to Output Valid Delay, rise/fall | Max 1 1 1 | slow | 15pF Cload on pad, input edge rate 200ps, 0->1, 1->0 pad transitions | 5.12 | 5.21 | ns |
| | | | fast | | 3.18 | 3.28 | |
| | | High 1 0 1 | slow | | 5.72 | 5.80 | |
| | | | fast | | 3.67 | 3.71 | |
| | | Medium 1 0 0 | slow | | 6.55 | 6.80 | |
| | | | fast | | | | |

Table continues on the next page...

Table 21. GPIO AC Electrical Characteristics (3.3V power mode) (continued)

| Symbol | Parameter | Drive strength ¹ | Slew rate | Test conditions | Min | Max | Unit |
|--------|---------------------------------------|-----------------------------|-----------|--|------|------|------|
| | | | fast | | 4.06 | 4.09 | |
| | | Low 0 1 1 | slow | | 7.80 | 8.19 | |
| | | | fast | | 5.72 | 6.22 | |
| tpi | Input Pad Propagation Delay rise/fall | without hysteresis | - | 150f Cload on, input edge rate from pad =1.2ns | 1.06 | 1.31 | ns |
| | | with hysteresis | - | | 1.22 | 1.41 | |

1. The drive strengths are controlled by the DSE bit of the Software MUX Pad Control Register. For details, see IOMUX Controller chapter of the device reference manual.

7.1.1 Output Buffer Impedance measurement

Table 22. Output Buffer Average Impedance (3.3V power mode)

| Symbol | Parameter | Drive strength ¹ | Min | Typ | Max | Unit | |
|--------|-------------------------|-----------------------------|-----|-----|-----|------|--|
| Rdrv | Output driver impedance | 0 0 1 | 116 | 150 | 220 | Ohm | |
| | | 0 1 0 | 58 | 75 | 110 | | |
| | | 0 1 1 | 39 | 50 | 73 | | |
| | | 1 0 0 | 30 | 37 | 58 | | |
| | | 1 0 1 | 24 | 30 | 46 | | |
| | | 1 1 0 | 20 | 25 | 38 | | |
| | | Extra drive strength | | | | | |
| | | 1 1 1 | 17 | 20 | 32 | | |

1. The drive strengths are controlled by the DSE bit of the Software MUX Pad Control Register. For details, see IOMUX Controller chapter of the device reference manual.

7.2 DDR parameters

Table 23. DDR operating conditions

| Symbol | Parameter | Min | Typ | Max | Unit |
|--------|--|-------|------|-------|------|
| vddi | Core internal supply voltage | 1.16 | 1.23 | 1.26 | V |
| ovdd | I/O output supply voltage (DDR3 mode) | 1.425 | 1.5 | 1.575 | V |
| ovdd | I/O output supply voltage (LPDDR2 mode) | 1.14 | 1.2 | 1.26 | V |
| vdd2p5 | I/O PD predriver and level shifters supply voltage | 2.25 | 2.5 | 2.75 | V |

Table 24. LPDDR2 mode DC Electrical characteristics

| Symbol | Parameter | Test condition | Min | Typ | Max | Unit | Notes |
|--|----------------------------------|-----------------|-------------------|----------|-------------------|------|---|
| Voh | High-level output voltage | | 0.9*ovdd | | | V | Note that the JEDEC LPDDR2 specification (JESD209_2B) supersedes any specification in this document. |
| Vol | Low-level output voltage | | | | 0.1*ovdd | V | |
| Vref | Input reference voltage | | 0.49*ovdd | 0.5*ovdd | 0.51*ovdd | V | |
| Vih(dc) | DC input high voltage | | Vref+0.13 | | ovdd | V | |
| Vil(dc) | DC input low voltage | | ovss | | Vref-0.13 | V | |
| Vih(diff) | DC differential input logic high | | 0.26 | | Note ¹ | V | |
| Vil(diff) | DC differential input logic low | | Note ¹ | | -0.26 | V | |
| Iin ² | Input current (no pull-up/down) | Vin = ovdd or 0 | | | 2.5 | uA | |
| Tri-state I/O supply current ² | Icc-ovdd | Vin = ovdd or 0 | | | 4 | | |
| Tri-state vdd2p5 supply current ² | Icc-vdd2p5 | Vi = vddi or 0 | | | 1.5 | | |
| Tri-state core supply current ² | Icc-vddi | | | | 1 | | |
| Driver unit (240 Ohm) calibration resolution | Rres | | | | 10 | Ohm | |

1. The single-ended signals need to be within the respective limits (Vih(dc) max, Vil(dc) min) for single-ended signals as well as the limitations for overshoot and undershoot.
2. Typ condition: typ model, 1.2 V, and 25 °C junction. Max condition: bcs model, 1.26V, and -40 °C. Min condition: wcs model, 1.14V, and Tj 125 °C.

Table 25. DDR3 mode DC Electrical characteristics

| Symbol | Parameter | Test condition | Min | Typ | Max | Unit | Notes |
|--------|---------------------------|----------------|----------|-----|----------|------|--|
| Voh | High-level output voltage | | 0.8*ovdd | | | V | Note that the JEDEC JESD79_3E specification supersedes any |
| Vol | Low-level output voltage | Iol= 1mA | | | 0.2*ovdd | V | |

Table continues on the next page...

Table 25. DDR3 mode DC Electrical characteristics (continued)

| Symbol | Parameter | Test condition | Min | Typ | Max | Unit | Notes |
|--|------------------------------------|------------------|-------------------|----------|-------------------|------|--------------------------------|
| Vref | Input reference voltage | | 0.49*ovdd | 0.5*ovdd | 0.51*ovdd | V | specification in this document |
| Vih(dc) | DC input high voltage | | Vref+0.1 | | ovdd | V | |
| Vil(dc) | DC input low voltage | | ovss | | Vref-0.1 | V | |
| Vih(diff) | DC differential input logic high | | 0.2 | | Note ¹ | V | |
| Vil(diff) | DC differential input logic low | | Note ¹ | | -0.2 | V | |
| Vtt ² | Termination voltage | Vin = ovdd or 0 | 0.49*ovdd | 0.5*ovdd | 0.51*ovdd | | |
| Iin ³ | Input current (no pullup/pulldown) | Vi = 0 Vi = ovdd | | | 3 | uA | |
| Tri-state I/O supply current ³ | Icc-ovdd | Vin = ovdd or 0 | | | 5 | | |
| Tri-state vdd2p5 supply current ³ | Icc-vdd2p5 | Vi = vddi or 0 | | | 1.5 | | |
| Tri-state core supply current ³ | Icc-vddi | | | | 1 | | |
| Driver unit (240 Ohm) calibration resolution | Rres | | | | 10 | Ohm | |

1. The single-ended signals need to be within the respective limits (Vih(dc) max, Vil(dc) min) for single-ended signals as well as the limitations for overshoot and undershoot.
2. Vtt is expected to track ovdd/2.
3. Typ condition: typ model, 1.5 V, and 25 °C. Max condition: bcs model, 1.575V, and -40 °C. Min condition: wcs model, 1.425V, and max Tj °C 125 °C junction

Table 26. LPDDR2 mode AC Electrical characteristics

| Symbol | Parameter | Test condition | Min | Max | Unit | Notes |
|-----------------------|------------------------------------|----------------|-----------|-----------|------|--|
| Vih(ac) | AC input logic high | | Vref+0.22 | ovdd | V | Note that the Jedec LPDDR2 specification (JESD209-2B) supersedes any specification in this document. |
| Vil(ac) | AC input logic low | | | Vref-0.22 | V | |
| Vidh(ac) ¹ | AC differential input high voltage | | 0.44 | - | V | |

Table continues on the next page...

Table 26. LPDDR2 mode AC Electrical characteristics (continued)

| Symbol | Parameter | Test condition | Min | Max | Unit | Notes |
|-----------------------|---|---------------------|-------|------|------|-------|
| Vidl(ac) ¹ | AC differential input low voltage | | | 0.44 | V | |
| Vix(ac) ² | AC differential input crosspoint voltage | Relative to ovdd/2 | -0.12 | 0.12 | V | |
| Vpeak | Over/undershoot peak | | | 0.35 | V | |
| Varea | Over/undershoot area (above ovdd or below ovss) | at 800MHz data rate | | 0.3 | V*ns | |
| tsr | Single output slew rate | | 0.4 | 2 | V/ns | |
| tskd | Skew between pad rise/fall asymmetry + skew caused by SSN | | | 0.2 | ns | |

1. Vid(ac) specifies the input differential voltage $|V_{tr}-V_{cpl}|$ required for switching, where V_{tr} is the “true” input signal and V_{cp} is the “complementary” input signal. The Minimum value is equal to $V_{ih}(ac)-V_{il}(ac)$.
2. The typical value of Vix(ac) is expected to be about $0.5*ovdd$, and Vix(ac) is expected to track variation of ovdd. Vix(ac) indicates the voltage at which differential input signal must cross.

Table 27. DDR3 mode AC Electrical characteristics

| Symbol | Parameter | Test condition | Min | Max | Unit | Notes |
|-----------------------|---|----------------------|------------|------------|------|---|
| Vih(ac) | AC input logic high | | Vref+0.175 | ovdd | V | Note that the JEDEC JESD79_3E specification supersedes any specification in this document |
| Vil(ac) | AC input logic low | | ovss | Vref-0.175 | V | |
| Vidh(ac) ¹ | AC differential input high voltage | | 0.35 | - | V | |
| Vidl(ac) ¹ | AC differential input low voltage | | 0.35 | | V | |
| Vix(ac) ² | AC differential input crosspoint voltage | relative to ovdd/2 | Vref-0.15 | Vref+0.15 | V | |
| Vpeak | Over/undershoot peak | | | 0.4 | V | |
| Varea | Over/undershoot area (above ovdd or below ovss) | at 800 MHz data rate | | 0.5 | V*ns | |
| tsr | Single output slew rate | | 0.4 | 2 | V/ns | |

Table continues on the next page...

Table 27. DDR3 mode AC Electrical characteristics (continued)

| Symbol | Parameter | Test condition | Min | Max | Unit | Notes |
|--------|---|----------------|-----|-----|------|-------|
| tskd | Skew between pad rise/fall asymmetry + skew caused by SSN | | | 0.2 | ns | |

1. Vid(ac) specifies the input differential voltage $|V_{tr}-V_{cpl}|$ required for switching, where V_{tr} is the “true” input signal and V_{cpl} is the “complementary” input signal. The Minimum value is equal to $V_{ih}(ac)-V_{il}(ac)$.
2. The typical value of $V_{ix}(ac)$ is expected to be about $0.5 \cdot ovdd$, and $V_{ix}(ac)$ is expected to track variation of $ovdd$. $V_{ix}(ac)$ indicates the voltage at which differential input signal must cross.

8 Power supplies and sequencing

8.1 Power sequencing

Table 28. Power sequencing

| Power Supply (PKG Level) | Board Level Power Nets | Parameters | Power Order | Comment |
|--------------------------|------------------------|---|-------------|--|
| VBAT | VBAT | Battery supply in case of LDOIN fails | NA | |
| VDD33_LDOIN | VDD33 | LDO input supply (LDO1P1, LDO2P5, LDO1P1_RTC) | 1 | VDD33_LDOIN, VDDREG and VDD33 should come from a common supply source (represented as 3.3V SMPS in the Figure 4) |
| VDDREG | VDD33 | Device PMU regulator and External ballast supply | 1 | |
| VDD33 | VDD33 | GPIO 3.3V IO supply, LCD Supply | 1 | |
| SDRAMC_VDD1P5 | SDRAMC_VDD1P5 | 1.2/1.5V DDR Main IO supply | NA | In case the Ballast transistor's collector is connected to the 1.5V DRAM supply (instead of the 3.3V supply), turn this 1.5V supply on before turning on the 3.3V. |
| VDDA33_ADC | VDDA33_ADC | 3.3V supply for ADC, DAC and IO segment | 1 | |
| VREFH_ADC | VREFH_ADC | High Reference of ADC, DAC | 1 | |
| VDDA33_AFE | VDDA33_AFE | 3.3V supply of AFE (Video ADC) | 1 | |
| VDD12_AFE | VDD | 1.2V supply for AFE (Video ADC) | 2 | |
| FA_VDD | VDD | Shorted with VDD at Board Level in 364BGA (Test pin only) | NA | |
| VDD | VDD | 1.2V core supply from External ballast | 2 | |
| USB0_VBUS 1 | USB_VBUS | VBUS supply for USB | NA | |
| USB1_VBUS 2 | USB_VBUS | VBUS supply for USB | NA | |

1. Power sequencing of USB0_VBUS is independent of any other power supply.

2. Power sequencing of USB1_VBUS is independent of any other power supply.

NOTE

NA stands for no sequencing needs, for example, the supply can come in any order.

NOTE

All supplies grouped together e.g. 1,2, others. These have no power sequencing restriction in between them.

NOTE

If none of the SDRAMC pins are connected on the board, the SDRAMC supply could be left floating.

NOTE

At power up, 1.2V supply will follow 3.3V supply. At power down, it should be checked that 1.2V falls before 3.3V.

NOTE

The standby current on USBx_VBUS is 300 - 500 uA. This is well below the 2.5 mA limit set by the USB 2.0 specification. This supply will be ON for applications that need to monitor the USB bus during standby. This supply can be turned-off during standby in applications that cannot tolerate the standby current and do not monitor the USB bus.

8.2 Power supply



Figure 4. Power supply

NOTE

VBAT is the backup battery supply. If not required, then VBAT should be tied to VDDREG.

NOTE

WBREG is the Well Bias Regulator. Supplies PD1 WELL during well bias modes.

8.3 Absolute maximum ratings

NOTE

These are the values above which device can get damaged.
Refer to the recommended operating conditions table for
intended use case values

Table 29. Absolute maximum ratings

| Symbol | Parameters | Min | Max | Unit |
|-------------------|--|------|-------|------|
| USB0_VBUS | VBUS supply for USB | - | 5.25 | V |
| USB1_VBUS | VBUS supply for USB | - | 5.25 | V |
| USB_DCAP | USB LDO 5V->3.3V Output | -0.3 | 3.6 | V |
| USB0_DP | USBx data line input voltage | -0.3 | 3.6 | V |
| USB0_DN | | | | |
| USB1_DP | | | | |
| USB1_DN | | | | |
| VBAT | Battery supply in case of LDOIN fails | -0.3 | 3.6 | V |
| VDD33_LDOIN | LDO input supply | -0.3 | 3.6 | V |
| DECAP_V11_LDO_OUT | LDO 3.3V -> 1.1V Output | -0.3 | 1.3 | V |
| DECAP_V25_LDO_OUT | LDO 3.3V -> 2.5 Output for PLL, DDR, EFUSE | -0.3 | 3.6 | V |
| VDD33 | GPIO 3.3V IO supply | -0.3 | 3.6 | V |
| VDDREG | Device PMU regulator and External ballast supply | -0.3 | 3.6 | V |
| VDDA33_ADC | 3.3V supply for ADC, DAC and IO segment | -0.3 | 3.6 | V |
| VREFH_ADC | 3.3V supply of AFE (Video ADC) | -0.3 | 3.6 | V |
| VDDA33_AFE | 3.3V supply of AFE (Video ADC) | -0.3 | 3.6 | V |
| VDD12_AFE | 1.2V supply for AFE (Video ADC) | -0.3 | 1.3 | V |
| FA_VDD | Test purpose only | -0.3 | 1.3 | V |
| VDD | 1.2V core supply | -0.3 | 1.3 | V |
| SDRAMC_VDD1P5 | 1.2/1.5 DDR Main IO supply | -0.3 | 1.975 | V |
| SDRAMC_VDD2P5 | 2.5V DDR pre-drive supply DD2P5_LDO_OUT | -0.3 | 3.6 | V |

8.4 Recommended operating conditions

Table 30. Recommended operating conditions

| Symbol | Parameters | Conditions | Min | Typ | Max | Unit |
|-------------------|---|--|------|------|------------|------|
| USB0_VBUS | VBUS supply for USB w.r.t USB0_GND | | 4.4 | 5 | 5.25 | V |
| USB1_VBUS | VBUS supply for USB w.r.t USB1_GND | | 4.4 | 5 | 5.25 | V |
| USB_DCAP | USB LDO 5V->3 V Output | External DCAP (10uF termination for USBREG) | | 3 | | V |
| VBAT | Battery supply in case of LDOIN fails | External CAP 0.1uF | 2.4 | 3.3 | 3.6 | V |
| VDD33_LDOIN | LDO input supply | | 3 | 3.3 | 3.6 | V |
| DECAP_V11_LDO_OUT | LDO 3.3V -> 1.1V Output | Recommended External DCAP: 1uF(Min) 10uF (Max) | | 1.1 | | V |
| DECAP_V25_LDO_OUT | LDO 3.3V -> 2.5 Output for PLL, DDR pre-driver, EFUSE | Recommended External DCAP: 1uF(Min) 10uF (Max) | | 2.5 | | V |
| VDD33 | GPIO 3.3V IO supply | External CAP (10uF) | 3 | 3.3 | 3.6 | V |
| VDDREG | Device PMU regulator and External ballast supply | External CAP (10uF) | 3 | 3.3 | 3.6 | V |
| VDDA33_ADC | 3.3V supply for ADC, DAC and IO segment | External CAP (10uF) | 3 | 3.3 | 3.6 | V |
| VREFH_ADC | High reference voltage for ADC and DAC | Relation with VDDA33_ADC (1uF) | 2.5 | 3.3 | VDDA33_ADC | V |
| VREFL_ADC | Low reference voltage for ADC and DAC | External CAP (10uF) | | 0 | | V |
| VDDA33_AFE | 3.3V supply of AFE (Video ADC) | External CAP 10uF | 3 | 3.3 | 3.6 | V |
| VDD12_AFE | 1.2V supply for AFE (Video ADC) | | 1.16 | 1.23 | 1.26 | V |
| FA_VDD | For testing purpose only should be shorted to VDD on board. | | 1.16 | 1.23 | 1.26 | V |
| VDD ¹ | 1.2V core supply | 4.7uF with a low ESR value (100 milliohms) | 1.16 | 1.23 | 1.26 | V |
| USB0_GND | Ground supply for USB | | | 0 | | V |
| USB1_GND | Ground supply for USB | | | 0 | | V |
| VSS_KEL0 | USB LDO ground output | | | 0 | | V |
| VSS | VSS ground | | | 0 | | V |
| VSSA33_ADC | Ground supply for ADC, DAC and IO segment | | | 0 | | V |

Table continues on the next page...

Table 30. Recommended operating conditions (continued)

| Symbol | Parameters | Conditions | Min | Typ | Max | Unit |
|---------------|--|-------------------|-------|-----|-------|------|
| VSSA33_AFE | Ground supply of AFE (Video ADC) | | | 0 | | V |
| VSS12_AFE | Ground supply for AFE (Video ADC) | | | 0 | | V |
| SDRAMC_VDD1P5 | LPDDR2 | External CAP 10uF | 1.142 | 1.2 | 1.26 | V |
| SDRAMC_VDD1P5 | DDR3 | External CAP 10uF | 1.425 | 1.5 | 1.575 | V |
| SDRAMC_VDD2P5 | 2.5V DDR pre-drive supply DD2P5_LDO_OUT | External CAP 10uF | 2.25 | 2.5 | 2.75 | V |
| - | Maximum power supply ramp rate (Slew limit for power-up) | | - | | 0.1 | V/us |

1. For customer applications, this is governed by ballast output which is controlled by the device and appropriate voltage ranges are maintained.

8.5 Recommended Connections for Unused Analog Interfaces

NOTE

There are two options to handle unused power pins:

1. Connect all unused supplies to their respective voltage. To save the power, do not enable the module and/or do not enable clock gate to the module.
2. Keep all unused supplies floating.

If pin is shared by several peripheral, then all peripherals connected to multiplexer have to be powered. For example: if pin is shared by GPIO and ADC input and GPIO functionality is used, then ADC has to be powered due to internal structure of the multiplexer. Keep unused input signals grounded if power pins are powered. Keep unused input signals floating if power pins are floating. Keep unused output signals floating.

| Module | Name | Recommendation if Unused |
|--------|------------------------------------|---|
| ADC | VDDA33_ADC | 3.3V or float (Note: Powers both ADC and DAC) |
| | VREFH_ADC, VREFL_ADC | VREFH_ADC same as VDDA33_ADC VREFL_ADC ground or float |
| | ADC0SE8, ADC0SE9, ADC1SE8, ADC1SE9 | Ground or float |
| CCM | LVDS0P, LVDS0N | Float |
| DAC | DACO0, DACO1 | Float |

Table continues on the next page...

Peripheral operating requirements and behaviours

| Module | Name | Recommendation if Unused |
|-----------|------------------------------------|---|
| USB | USB_DCAP, USB0_VBUS, USB1_VBUS | Connect USBx_VBUS and USB_DCAP together and tie to ground through a 10K ohm resistor. Do NOT tie directly to ground, latch-up risk. |
| | USB0_GND, USB1_GND | Ground |
| | USB0_VBUS_DETECT, USB1_VBUS_DETECT | Float |
| Video ADC | USB0_DM, USB0_DP, USB1_DM, USB1_DP | Float |
| | VDDA33_AFE | 3.3V or Float |
| | VDD12_AFE | 1.2V or Float |
| | VADC_AFE_BANDGAP | Float |
| | VADCSE0, VADCSE1, VADCSE2, VADCSE3 | Ground or Float |

9 Peripheral operating requirements and behaviours

9.1 Analog

9.1.1 12-bit ADC electrical characteristics

9.1.1.1 12-bit ADC operating conditions

Table 31. 12-bit ADC Operating Conditions

| Characteristic | Conditions | Symb | Min | Typ ¹ | Max | Unit | Comment |
|-------------------|---|--------------------|-------------------|-------------------|-------------------|-------|---------|
| Supply voltage | Absolute | V _{DDAD} | 2.5 | - | 3.6 | V | - |
| | Delta to V _{DDAD} (V _{DD} -V _{DDAD}) ² | ΔV _{DDAD} | -100 | 0 | 100 | mV | - |
| Ground voltage | Delta to V _{SSAD} (V _{SS} -V _{SSAD}) ² | ΔV _{SSAD} | -100 | 0 | 100 | mV | - |
| Ref Voltage High | - | V _{REFH} | 1.5 | V _{DDAD} | V _{DDAD} | V | - |
| Ref Voltage Low | - | V _{REFL} | V _{SSAD} | V _{SSAD} | V _{SSAD} | V | - |
| Input Voltage | - | V _{ADIN} | V _{REFL} | - | V _{REFH} | V | - |
| Input Capacitance | 8/10/12 bit modes | C _{ADIN} | - | 1.5 | 2 | pF | - |
| Input Resistance | ADLPC=0, ADHSC=1 | R _{ADIN} | - | 5 | 7 | kohms | - |
| | ADLPC=0, ADHSC=0 | | - | 12.5 | 15 | kohms | - |
| | ADLPC=1, ADHSC=0 | | - | 25 | 30 | kohms | - |

Table continues on the next page...

Table 31. 12-bit ADC Operating Conditions (continued)

| Characteristic | Conditions | Symb | Min | Typ ¹ | Max | Unit | Comment |
|---|---|------------|-----|------------------|-----|-------|---------------------------------|
| Analog Source Resistance | 12 bit mode $f_{ADCK} = 40\text{MHz}$ $ADLSMP=0$, $ADSTS=10$, $ADHSC=1$ | R_{AS} | - | - | 1 | kohms | $T_{\text{samp}}=150\text{ ns}$ |
| R_{AS} depends on Sample Time Setting ($ADLSMP$, $ADSTS$) and ADC Power Mode ($ADHSC$, $ADLPC$). See charts for Minimum Sample Time vs R_{AS} | | | | | | | |
| ADC Conversion Clock Frequency | $ADLPC=0$, $ADHSC=1$ 12 bit mode | f_{ADCK} | 4 | - | 40 | MHz | - |
| | $ADLPC=0$, $ADHSC=0$ 12 bit mode | | 4 | - | 30 | MHz | - |
| | $ADLPC=1$, $ADHSC=0$ 12 bit mode | | 4 | - | 20 | MHz | - |

1. Typical values assume $VDDAD = 3.3\text{ V}$, $\text{Temp} = 25^\circ\text{C}$, $f_{ADCK}=20\text{ MHz}$ unless otherwise stated. Typical values are for reference only and are not tested in production.
2. DC potential difference

**Figure 5. 12-bit ADC Input Impedance Equivalency Diagram**

9.1.1.2 12-bit ADC characteristics

Table 32. 12-bit ADC Characteristics ($V_{REFH} = V_{DDAD}$, $V_{REFL} = V_{SSAD}$)

| Characteristic | Conditions ¹ | Symb | Min | Typ ² | Max | Unit | Comment |
|-------------------------------|-------------------------|-------------|-----|------------------|-----|---------------|-----------------------------|
| Supply Current | ADLPC=1, ADHSC=0 | I_{DDAD} | | 250 | | μA | ADLSMP=0 ADSTS=10 ADCO=1 |
| | ADLPC=0, ADHSC=0 | | | 350 | | | |
| | ADLPC=0, ADHSC=1 | | | 400 | | | |
| Supply Current | Stop, Reset, Module Off | I_{DDAD} | | 0.01 | 0.8 | μA | |
| ADC Asynchronous Clock Source | ADHSC=0 | f_{ADACK} | | 10 | | MHz | $t_{ADACK} = 1/f_{ADACK}$ |
| | ADHSC=1 | | | 20 | | | |
| Sample Cycles | ADLSMP=0, ADSTS=00 | Csamp | | 2 | | cycles | |
| | ADLSMP=0, ADSTS=01 | | | 4 | | | |
| | ADLSMP=0, ADSTS=10 | | | 6 | | | |
| | ADLSMP=0, ADSTS=11 | | | 8 | | | |
| | ADLSMP=1, ADSTS=00 | | | 12 | | | |
| | ADLSMP=1, ADSTS=01 | | | 16 | | | |
| | ADLSMP=1, ADSTS=10 | | | 20 | | | |
| | ADLSMP=1, ADSTS=11 | | | 24 | | | |
| Conversion Cycles | ADLSMP=0 ADSTS=00 | Cconv | | 28 | | cycles | |
| | ADLSMP=0 ADSTS=01 | | | 30 | | | |
| | ADLSMP=0 ADSTS=10 | | | 32 | | | |
| | ADLSMP=0 ADSTS=11 | | | 34 | | | |
| | ADLSMP=1 ADSTS=00 | | | 38 | | | |
| | ADLSMP=1 ADSTS=01 | | | 42 | | | |
| | ADLSMP=1 ADSTS=10 | | | 46 | | | |
| | ADLSMP=1, ADSTS=11 | | | 50 | | | |
| Conversion Time | ADLSMP=0 ADSTS=00 | Tconv | | 0.7 | | μs | Fadc=40 MHz |
| | ADLSMP=0 ADSTS=01 | | | 0.75 | | | |

Table continues on the next page...

Table 32. 12-bit ADC Characteristics ($V_{REFH} = V_{DDAD}$, $V_{REFL} = V_{SSAD}$) (continued)

| Characteristic | Conditions ¹ | Symb | Min | Typ ² | Max | Unit | Comment |
|---------------------------------|---|---------------------|----------------------------|------------------|-------|------------------|--|
| | ADLSMP=0 ADSTS=10 | | | 0.8 | | | |
| | ADLSMP=0 ADSTS=11 | | | 0.85 | | | |
| | ADLSMP=1 ADSTS=00 | | | 0.95 | | | |
| | ADLSMP=1 ADSTS=01 | | | 1.05 | | | |
| | ADLSMP=1 ADSTS=10 | | | 1.15 | | | |
| | ADLSMP=1, ADSTS=11 | | | 1.25 | | | |
| Total Unadjusted Error | 12 bit mode | TUE | -2 | - | +5 | LSB ³ | With Max Averaging |
| | 10 bit mode | | -0.5 | - | +2 | | |
| | 8 bit mode | | -0.25 | - | +1.5 | | |
| Differential Non-Linearity | 12 bit mode | DNL | - | ±0.6 | ±1.5 | LSB ³ | Waiting for histogram method confirmation |
| | 10bit mode | | - | ±0.5 | ±1 | | |
| | 8 bit mode | | - | ±0.25 | ±0.5 | | |
| Integral Non-Linearity | 12 bit mode | INL | - | ±2 | ±4 | LSB ³ | Waiting for histogram method confirmation |
| | 10bit mode | | - | ±1 | ±2 | | |
| | 8 bit mode | | - | ±0.5 | ±1 | | |
| Zero-Scale Error | 12 bit mode | E _{ZS} | - | +1.0 | ±1.6 | LSB ³ | VADIN = V _{REFL} With Max Averaging |
| | 10bit mode | | - | ±0.4 | ±0.8 | | |
| | 8 bit mode | | - | ±0.1 | ±0.4 | | |
| Full-Scale Error | 12 bit mode | E _{FS} | - | ±2 | ±3.5 | LSB ³ | VADIN = V _{REFH} With Max Averaging |
| | 10bit mode | | - | ±0.5 | ±1 | | |
| | 8 bit mode | | - | ±0.25 | ±0.75 | | |
| Quantization Error | 12 bit mode | E _Q | - | ±1 to 0 | | LSB ³ | |
| | 10bit mode | | - | ±0.5 | | | |
| | 8 bit mode | | - | ±0.5 | | | |
| Effective Number of Bits | 12 bit mode | ENOB | 10.1 | 10.7 | - | Bits | Fin = 100Hz |
| Signal to Noise plus Distortion | See ENOB | SINAD | SINAD = 6.02 x ENOB + 1.76 | | | dB | |
| Input Leakage Error | all modes | EIL | I _{in} x RAS | | | mV | I _{in} = 400 nA leakage current |
| Temperature Sensor Slope | Across the full temperature range of the device | m | -- | 1.84 | -- | mV/°C | |
| Temperature Sensor Voltage | 25°C | V _{TEMP25} | - | 696 | - | mV | |

1. All accuracy numbers assume the ADC is calibrated with $V_{REFH}=V_{DDAD}$

2. Typical values assume $V_{DDAD} = 3.3$ V, Temp = 25°C, $F_{adck}=20$ MHz unless otherwise stated. Typical values are for reference only and are not tested in production.

3. $1 \text{ LSB} = (V_{\text{REFH}} - V_{\text{REFL}})/2N$

NOTE

The ADC electrical spec would be met with the calibration enabled configuration.



Figure 6. Minimum Sample Time Vs Ras (Cas = 2pF)



Figure 7. Minimum Sample Time Vs Ras (Cas = 5pF)



Figure 8. Minimum Sample Time Vs Ras (Cas = 10pF)

9.1.2 12-bit DAC electrical characteristics

9.1.2.1 12-bit DAC operating requirements

Table 33. 12-bit DAC operating requirements

| Symbol | Description | Min. | Typ | Max. | Unit | Notes |
|----------------|-------------------------|------|-----|------------|------|-------|
| VDDA33_ADC | Supply voltage | 3.0 | 3.3 | 3.6 | V | |
| VREFH_ADC | Reference voltage | 2.5 | 3.3 | VDDA33_ADC | V | 1 |
| C _L | Output load capacitance | — | | 100 | pF | 2 |
| I _L | Output load current | — | | 1 | mA | |

1. User will need to set up DACx_STATCTRL [DACRFS]=1 to select the valid VREFH_ADC reference. When DACx_STATCTRL [DACRFS]=0, the DAC reference is connected to an internal ground node and is not a valid voltage reference. Note that the DAC and ADC share the VREFH_ADC reference simultaneously.)
2. A small load capacitance (47 pF) can improve the bandwidth performance of the DAC

9.1.2.2 12-bit DAC operating behaviors

Table 34. 12-bit DAC operating behaviors

| Symbol | Description | Min. | Typ. | Max. | Unit | Notes |
|------------------------------------|--|------|------|------|------|-------|
| I _{DDA_DACL} _P | Supply current — low-power mode | — | — | 100 | μA | |
| I _{DDA_DACH} _P | Supply current — high-power mode | — | — | 500 | μA | |
| t _{DACL} _P | Full-scale settling time (0x080 to 0xF7F) — low-power mode | — | 10 | 15 | μs | 1 |

Table continues on the next page...

Table 34. 12-bit DAC operating behaviors (continued)

| Symbol | Description | Min. | Typ. | Max. | Unit | Notes |
|---------------|--|------------------|-----------|------------|------------------------|-------|
| t_{DACHP} | Full-scale settling time (0x080 to 0xF7F) — high-power mode | — | 3 | 5 | μs | 1 |
| $t_{CCDACLP}$ | Code-to-code settling time (0xBF8 to 0xC08) | | | | μs | 1 |
| | low-power mode | — | 5 | — | | |
| | high-power mode | — | 1 | — | | |
| $V_{dacoutl}$ | DAC output voltage range low — high-speed mode, no load, DAC set to 0x000 | — | — | 100 | mV | |
| $V_{dacouth}$ | DAC output voltage range high — high-speed mode, no load, DAC set to 0xFFF | $V_{DACR} - 100$ | — | V_{DACR} | mV | |
| INL | Integral non-linearity error — high speed mode | — | — | ± 8 | LSB | 2 |
| DNL | Differential non-linearity error — $V_{DACR} = V_{REF_OUT}$ | — | — | ± 1 | LSB | 3 |
| V_{OFFSET} | Offset error | — | ± 0.4 | ± 0.8 | %FSR | 4 |
| E_G | Gain error | — | ± 0.1 | ± 0.6 | %FSR | 4 |
| PSRR | Power supply rejection ratio, $V_{DDA} = 3\text{ V}$, $T = 25\text{ C}$ | | 70 | | dB | |
| T_{CO} | Temperature coefficient offset voltage | — | 3.7 | — | $\mu\text{V/C}$ | 5 |
| T_{GE} | Temperature coefficient gain error | — | 0.000421 | — | %FSR/C | |
| A_C | Offset aging coefficient | — | — | 100 | $\mu\text{V/yr}$ | |
| R_{op} | Output resistance load = 3 k Ω | — | — | 250 | Ω | |
| SR | Slew rate -80h → F7Fh → 80h | | | | $\text{V}/\mu\text{s}$ | |
| | High power (SP_{HP}) | | 1.7 | 3 | | |
| | Low power (SP_{LP}) | | 0.3 | 0.6 | | |
| CT | Channel to channel cross talk | — | 70 | | dB | |

- Settling within ± 1 LSB
- The INL is measured for 0+100mV to $V_{DACR} - 100\text{ mV}$
- The DNL is measured for 0+100mV to $V_{DACR} - 100\text{ mV}$
- Calculated by a best fit curve from $V_{SS} + 100\text{ mV}$ to $V_{DACR} - 100\text{ mV}$
- $V_{DDA} = 3.3\text{ V}$, reference select set for V_{DDA} ($DACX_CO:DACRFS = 1$), high power mode ($DACx_CO:LPEN = 0$), DAC set to 0x800, Temp range from $-40\text{ }^\circ\text{C}$ to $85\text{ }^\circ\text{C}$



Figure 9. INL error vs. digital code

DAC12 DNL vs Digital Code



Figure 10. DNL error vs. digital code



Figure 11. Offset at half scale vs. temperature

9.1.3 VideoADC Specifications

This section describes the electrical specification and characteristics of the VideoADC Analog Front End.

Table 35. VideoADC Specifications

| Symbol | Description | Min. | Typ. | Max. | Unit | Notes |
|------------|----------------------------|------|------|------|------|---|
| VDDA33_AFE | Supply voltage | 3.0 | 3.3 | 3.6 | V | — |
| | Supply current | — | — | 41 | mA | — |
| VDDA12_AFE | Supply voltage | 1.1 | 1.2 | 1.26 | V | — |
| | Supply current | — | — | 14 | mA | — |
| V_{in} | Input signal voltage range | 0 | 0.5 | 1.4 | V | — |
| | External AC coupling | 10 | 47 | | nF | The external AC coupling capacitance cannot be too large. |

Table continues on the next page...

Table 35. VideoADC Specifications (continued)

| Symbol | Description | Min. | Typ. | Max. | Unit | Notes |
|-----------------|-----------------|------|------|------|------|---|
| V _{BG} | Bandgap voltage | — | 0.6 | — | V | Bandgap voltage on VADC_AFE_BANDGAP pin. Pin should be decoupled with a 100nF capacitor |



Figure 12. VideoADC supply scheme



Figure 13. VideoADC supply decoupling

NOTE

VideoADC 3.3V and 1.2V power supply pins should be decoupled to their respective grounds using low-ESR 100nF capacitors

NOTE

If possible, avoid using switched voltage regulators for the AFE power domains. Use linear voltage regulators instead.

NOTE

The 3.3V and 1.2V power domains should be separated from other circuitry on the board by inductors/beads to filter out high frequency noise.

9.2 Display and Video interfaces

9.2.1 DCU Switching Specifications

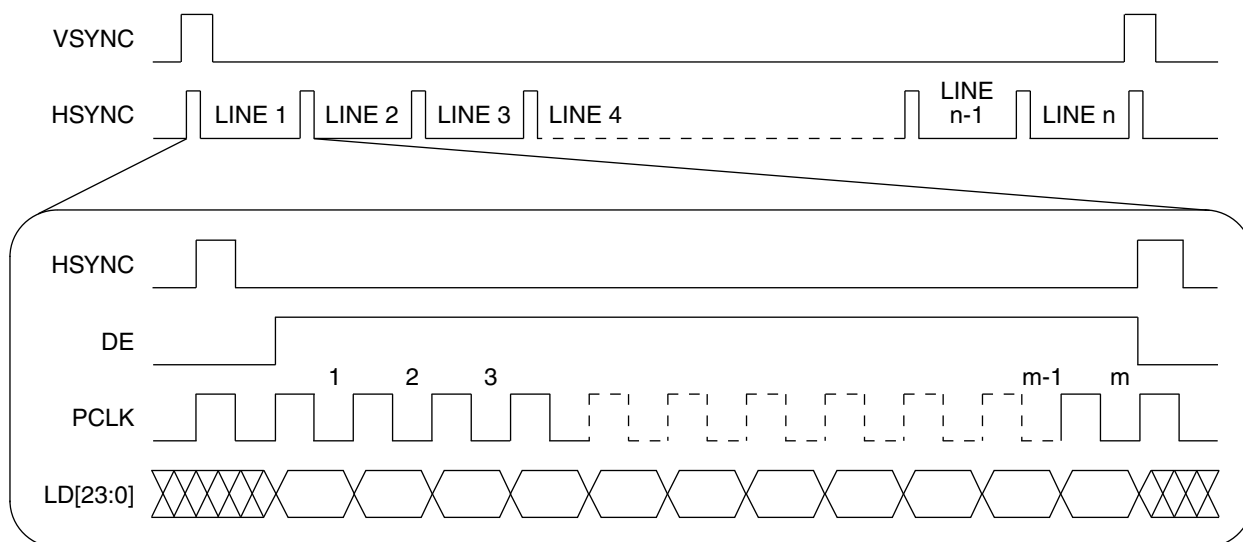
9.2.1.1 Interface to TFT panels (DCU0/1)

This section provides the LCD interface timing for a generic active matrix color TFT panel. In the figure below, signals are shown with positive polarity. The sequence of events for active matrix interface timing:

- PCLK latches data into the panel on its positive edge (when positive polarity is selected). In active mode, PCLK runs continuously. This signal frequency could be from 5 to 66 MHz depending on the panel type.
- HSYNC causes the panel to start a new line. It always encompasses at least one PCLK pulse.
- VSYNC causes the panel to start a new frame. It always encompasses at least one HSYNC pulse.
- DE acts like an output enable signal to the LCD panel. This output enables the data to be shifted onto the display. When disabled, the data is invalid and the trace is off.

Figure 14. TFT LCD interface timing overview¹

1. In the figure, LD[23:0]" signal is "line data," an aggregation of the DCU's RGB signals—R[0:7], G[0:7] and B[0:7].



9.2.1.2 Interface to TFT LCD Panels—Pixel Level Timings

This section provides the horizontal timing (timing of one line), including both the horizontal sync pulse and data. All parameters shown in the figure below are programmable. This timing diagram corresponds to positive polarity of the PCLK signal (meaning the data and sync signals change on the rising edge) and active-high polarity of the HSYNC, VSYNC and DE signals. The user can select the polarity of the HSYNC and VSYNC signals via the SYN_POL register, whether active-high or active-low. The default is active-high. The DE signal is always active-high. Pixel clock inversion and a flexible programmable pixel clock delay are also supported. They are programmed via the clock divide . The DELTA_X and DELTA_Y parameters are programmed via the DISP_SIZE register. The PW_H, BP_H and FP_H parameters are programmed via the HSYN PARA register. The PW_V, BP_V and FP_V parameters are programmed via the VSYN_PARA register.

Table 36. LCD interface timing parameters—horizontal and vertical

| Symbol | Characteristic | | Unit |
|-----------|----------------------------|--|------|
| t_{PCP} | Display pixel clock period | 11.2 | ns |
| t_{PWH} | HSYNC pulse width | $PW_H * t_{PCP}$ | ns |
| t_{BPH} | HSYNC back porch width | $BP_H * t_{PCP}$ | ns |
| t_{FPH} | HSYNC front porch width | $FP_H * t_{PCP}$ | ns |
| t_{SW} | Screen width | $DELTA_X * t_{PCP}$ | ns |
| t_{HSP} | HSYNC (line) period | $(PW_H + BP_H + FP_H + DELTA_X) * t_{PCP}$ | ns |
| t_{PWV} | VSYNC pulse width | $PW_V * t_{HSP}$ | ns |
| t_{BPV} | VSYNC back porch width | $BP_V * t_{HSP}$ | ns |
| t_{FPV} | VSYNC front porch width | $FP_V * t_{HSP}$ | ns |
| t_{SH} | Screen height | $DELTA_Y * t_{HSP}$ | ns |
| t_{VSP} | VSYNC (frame) period | $(PW_V + BP_V + FP_V + DELTA_Y) * t_{HSP}$ | ns |



Figure 15. Horizontal sync timing



Figure 16. Vertical sync pulse

9.2.1.3 Interface to TFT LCD panels—access level

This section provides the access level timing parameters of the LCD interface.

Table 37. LCD Interface Timing Parameters^{1, 2, 3}—Access Level

| Symbol | Description | Min | Max | Unit |
|-----------|--|------|-----|------|
| t_{CKP} | Pixel Clock Period | 11.2 | — | ns |
| t_{DV} | TFT interface data valid after pixel clock | — | 4.4 | ns |
| t_{DV} | TFT interface HSYNC valid after pixel clock | — | 4.4 | ns |
| t_{DV} | TFT interface VSYNC valid after pixel clock | — | 4.4 | ns |
| t_{DV} | TFT interface DE valid after pixel clock | — | 4.4 | ns |
| t_{HO} | TFT interface output hold time for data and control bits | 0 | — | ns |
| | Relative skew between the data bits | — | 4.4 | ns |

1. The characteristics in this table are based on the assumption that data is output at +ve edge and displays latch data on -ve edge

DCU Switching Specifications

2. Intra bit skew is less than 2 ns
3. Load CL = 50 pf



Figure 17. LCD Interface Timing Parameters—Access Level

9.2.2 Video Input Unit timing

This section provides the timing parameters of the Video Input Unit (VIU) interface.

These are the clocking requirements of the VIU interface:

- The platform bus clock must be 2.5x pixel clock
- If the VIU3 does 2x horizontal upscaling, the ratio must be 3x



Figure 18. VIU Timing Parameters

Table 38. VIU Timing Parameters

| Symbol | Characteristic | Min Value | Max Value | Unit |
|---------------|---------------------------|-----------|-----------|------|
| f_{PIX_CK} | VIU pixel clock frequency | – | 64 | MHz |
| t_{DSU} | VIU data setup time | 4 | – | ns |
| t_{DHD} | VIU data hold time | 1 | – | ns |

9.2.3 LCD driver electrical characteristics

This section provides LCD driver electrical specification at $V_{DD33} = 3.3\text{ V} \pm 10\%$.

Table 39. LCD driver specifications

| Symbol | Parameter | Min | Typical | Max | Unit |
|-------------|--|-----|---------|------------------|---------------|
| VLCD | Voltage on VLCD (LCD supply) pin with respect to VSS | 0 | | $V_{DD33} + 0.3$ | V |
| $Z_{BP/FP}$ | LCD output impedance (BP[n-1:0],FP[m-1:0]) for output levels VDDE, VSS | – | – | 5.0 | $K\Omega$ |
| $I_{BP/FP}$ | LCD output current (BP[n-1:0],FP[m-1:0]) for outputs charge/discharge voltage levels $VDDE2/3$, $VDDE1/2$, $VDDE/3$ ¹ | – | 25 | – | μA |

1. With PWR=10, BSTEN=0, and BSTAO=0

9.3 Ethernet specifications

9.3.1 Ethernet Switching Specifications

The following timing specs are defined at the chip I/O pin and must be translated appropriately to arrive at timing specs/constraints for the physical interface. All Ethernet signals use pad type pad_fsr. The timing specifications described in the section assume a pad slew rate setting of 11 and a load of 50 pF².

9.3.2 Receive and Transmit signal timing specifications

This section provides timing specs that meet the requirements for RMIi interfaces for a range of transceiver devices.

Table 40. Receive signal timing for RMIi interfaces

| | Characteristic | RMIi Mode | | Unit |
|--------|---|-----------|-----|-----------------|
| | | Min | Max | |
| — | EXTAL frequency (RMIi input clock RMIi_CLK) | — | 50 | MHz |
| E3, E7 | RMIi_CLK pulse width high | 35% | 65% | RMIi_CLK period |
| E4, E8 | RMIi_CLK pulse width low | 35% | 65% | RMIi_CLK period |
| E1 | RXD[1:0], CVS_DV, RXER to RMIi_CLK setup | 4 | — | ns |
| E2 | RMIi_CLK to RXD[1:0], CRS_DV, RXER hold | 2 | — | ns |
| E6 | RMIi_CLK to TXD[1:0], TXEN valid | — | 14 | ns |
| E5 | RMIi_CLK to TXD[1:0], TXEN invalid | 4 | — | ns |

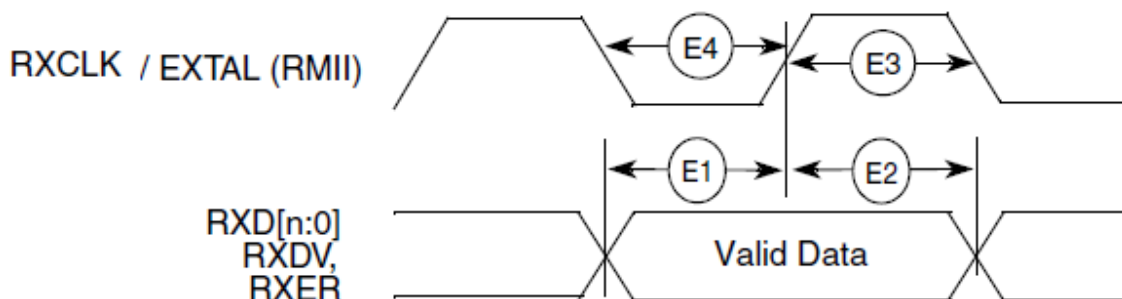


Figure 19. RMIi receive signal timing diagram

2. These timing parameters are specified assuming maximum operating frequency and the fastest pad slew rate setting (11). When operating this interface at lower frequencies, increase the slew rate by using the 10, 01, or 00 setting to increase edge rise and fall times, thus reducing EMI.



Figure 20. RMII transmit signal timing diagram

NOTE

See the most current device errata document when using the internally generated RXCLK and TXCLK clocks.



Figure 21. MII receive signal timing diagram

Table 41. Receive signal timing for MII interfaces

| Characteristic | | MII Mode | | | Unit |
|--------------------------------------|-----------|----------|--------|-----|------|
| | | Min | Typ | Max | |
| RX_CLK clock period (100/10 MBPS) | t_{CYC} | | 40/400 | | ns |
| RX_CLK duty cycle, t_{PWH}/t_{CYC} | | 45 | 50 | 55 | % |
| Input setup time before RX_CLK | t_S | 5 | | | ns |
| Input setup time after RX_CLK | t_H | 5 | | | ns |

9.3.3 Receive and Transmit signal timing specifications for MII interfaces

This section provides timing specs that meet the requirements for MII interfaces for a range of transceiver devices.



Figure 22. MII receive signal timing diagram

Table 42. Receive signal timing for MII interfaces

| Characteristic | | MII Mode | | | Unit |
|--------------------------------------|-----------|----------|--------|-----|------|
| | | Min | Typ | Max | |
| RX_CLK clock period (100/10 MBPS) | t_{CYC} | | 40/400 | | ns |
| RX_CLK duty cycle, t_{PWH}/t_{CYC} | | 45 | 50 | 55 | % |
| Input setup time before RX_CLK | t_s | 5 | | | ns |
| Input hold time after RX_CLK | t_h | 5 | | | ns |



Figure 23. MII transmit signal timing diagram

Table 43. Transmit signal timing for MII interfaces

| Characteristic | | MII Mode | | | Unit |
|--------------------------------------|-----------|----------|--------|-----|------|
| | | Min | Typ | Max | |
| TX_CLK clock period (100/10 MBPS) | t_{CYC} | | 40/400 | | ns |
| TX_CLK duty cycle, t_{PWH}/t_{CYC} | | 45 | 50 | 55 | % |
| Out delay from TX_CLK | t_D | 2 | | 25 | ns |

9.4 Audio interfaces

9.4.1 Enhanced Serial Audio Interface (ESAI) Timing Parameters

The ESAI consists of independent transmitter and receiver sections, each section with its own clock generator. The following table shows the interface timing values.

Table 44. Enhanced Serial Audio Interface (ESAI) Timing

| No | Characteristics | Symbol | Min | Max | Condition ¹ | Unit |
|----|--|-------------|---|---------|------------------------|------|
| 1 | Clock cycle ² | t_{SSICC} | 30.0 ($4 \times T_c$) | — — | master | ns |
| 2 | Clock high period: • master • slave | — — | 6 ($2 \times T_c - 9.0$) 15 ($2 \times T_c$) | — — | — — | ns |
| 3 | Clock low period: • master • slave | — — | 6 ($2 \times T_c - 9.0$) 15 ($2 \times T_c$) | — — | — — | ns |
| 4 | FSR Input and Data Input setup time before SCKR (SCK in synchronous mode) falling edge | — — | 6 15 | — — | Slave Master | ns |
| 5 | FSR Input and Data Input hold time after SCKR falling edge | — — | 2 0 | — — | Slave Master | ns |
| 6 | SCKT rising edge to FST out and Data out valid | — — | — — | 15 6 | Slave Master | ns |
| 7 | SCKT rising edge to FST out and Data out hold | — — | — — | 0 0 | Slave Master | ns |
| 8 | FST input setup time before SCKT falling edge | — — | 6 15 | — — | Slave Master | ns |
| 9 | FST input hold time after SCKT falling edge | — — | 2 0 | — — | Slave Master | ns |
| 10 | HCKR/HCKT clock cycle | — | 15 ($2 \times T_c$) | — | — | ns |
| 11 | HCKT input rising edge to SCKT output | — | — | 18.0 | — | ns |
| 12 | HCKR input rising edge to SCKR output | — | — | 18.0 | — | ns |

1. SCKT(SCKT pin) = transmit clock SCKR(SCKR pin) = receive clock FST(FST pin) = transmit frame sync FSR(FSR pin) = receive frame sync HCKT(HCKT pin) = transmit high frequency clock HCKR(HCKR pin) = receive high frequency clock
2. For the internal clock, the external clock cycle is defined by $lcyc$ and the ESAI control register.



Figure 24. ESAS Transmitter Timing



Figure 25. ESAS Receiver Timing

9.4.2 SPDIF Timing Parameters

The Sony/Philips Digital Interconnect Format (SPDIF) data is sent using the bi-phase marking code. When encoding, the SPDIF data signal is modulated by a clock that is twice the bit rate of the data signal. Table and Figure below show SPDIF timing parameters for the Sony/Philips Digital Interconnect Format (SPDIF), including the timing of the modulating Rx clock (SRCK) for SPDIF in Rx mode and the timing of the modulating Tx clock (STCLK) for SPDIF in Tx mode.

Table 45. SPDIF Timing Parameters

| Characteristic | Symbol | Timing Parameter Range | | Unit |
|---|---------|--------------------------------|---|------|
| | | Min | Max | |
| SPDIFIN Skew: asynchronous inputs, no specs apply | | | 0.7 | ns |
| SPDIFOUT output (Load = 50pf) <ul style="list-style-type: none"> • Skew • Transition rising • Transition falling | | | <ul style="list-style-type: none"> • 1.5 • 24.2 • 31.3 | ns |
| SPDIFOUT1 output (Load = 30pf) - Skew <ul style="list-style-type: none"> • Transition rising • Transition falling | | | 1.5 | ns |
| | | Refer Table 21 | | |
| Modulating Rx clock (SRCK) period | srckp | 40 | | ns |
| SRCK high period | srckph | 16 | | ns |
| SRCK low period | srckpl | 16 | | ns |
| Modulating Tx clock (STCLK) period | stclkp | 40 | | ns |
| STCLK high period | stclkph | 16 | | ns |
| STCLK low period | stclkpl | 16 | | ns |



Figure 26. SRCK Timing Diagram



Figure 27. STCLK Timing Diagram

9.4.3 SAI/I²S Switching Specifications

This section provides the AC timings for the SAI in master (clocks driven) and slave modes (clocks input). All timings are given for non-inverted serial clock polarity (SAI_TCR[TSCKP] = 0, SAI_RCR[RSCKP] = 0) and a non-inverted frame sync (SAI_TCR[TFSI] = 0, SAI_RCR[RFSI] = 0). If the polarity of the clock and/or the frame sync have been inverted, all the timings remain valid by inverting the clock signal (SAI_BCLK) and/or the frame sync (SAI_FS) shown in the figures below.

Table 46. Master Mode SAI Timing

| Num | Characteristic | Min | Max | Unit |
|-----|--|----------------------|-----|-------------|
| S1 | SAI_MCLK cycle time | 2 x t _{sys} | — | ns |
| S2 | SAI_MCLK pulse width high/low | 40% | 60% | MCLK period |
| S3 | SAI_BCLK cycle time | 4 x t _{sys} | — | ns |
| S4 | SAI_BCLK pulse width high/low | 40% | 60% | BCLK period |
| S5 | SAI_BCLK to SAI_FS output valid | — | 15 | ns |
| S6 | SAI_BCLK to SAI_FS output invalid | 0 | — | ns |
| S7 | SAI_BCLK to SAI_TXD valid | — | 15 | ns |
| S8 | SAI_BCLK to SAI_TXD invalid | 0 | — | ns |
| S9 | SAI_RXD/SAI_FS input setup before SAI_BCLK | 15 | — | ns |
| S10 | SAI_RXD/SAI_FS input hold after SAI_BCLK | 0 | — | ns |



Figure 28. SAI Timing — Master Modes

Table 47. Slave Mode SAI Timing

| Num | Characteristic | Min | Max | Unit |
|-----|---|---------------|-----|-------------|
| S11 | SAI_BCLK cycle time (input) | 4 x t_{sys} | — | ns |
| S12 | SAI_BCLK pulse width high/low (input) | 40% | 60% | BCLK period |
| S13 | SAI_FS input setup before SAI_BCLK | 10 | — | ns |
| S14 | SAI_FS input hold after SAI_BCLK | 2 | — | ns |
| S15 | SAI_BCLK to SAI_TXD/SAI_FS output valid | — | 20 | ns |
| S16 | SAI_BCLK to SAI_TXD/SAI_FS output invalid | 0 | — | ns |
| S17 | SAI_RXD setup before SAI_BCLK | 10 | — | ns |
| S18 | SAI_RXD hold after SAI_BCLK | 2 | — | ns |



Figure 29. SAI Timing — Slave Modes

9.5 Memory interfaces

9.5.1 QuadSPI timing

- All data is based on a negative edge data launch from the device and a negative edge data capture, as shown in the timing diagrams in this section. This corresponds to the N/1 sample point as shown in the reference manual QSPI section "Internal Sampling of Serial Flash Input Data."
- Measurements are with a load of 35 pF on output pins. I/P Slew : 1ns
- Timings assume a setting of 0x0000_000x for QSPI_SMPR register (see the reference manual for details).

SDR mode



Figure 30. QuadSPI Input/Read timing (SDR mode)

Table 48. QuadSPI Input/Read timing (SDR mode)

| Symbol | Parameter | Value | | Unit |
|----------|---|-------|-----|------|
| | | Min | Max | |
| T_{is} | Setup time for incoming data | 5.4 | — | ns |
| T_{ih} | Hold time requirement for incoming data | 0 | — | ns |



Figure 31. QuadSPI Output/Write timing (SDR mode)

Table 49. QuadSPI Output/Write timing (SDR mode)

| Symbol | Parameter | Value | | Unit |
|-----------|-------------------------------|-------|-----|------------------|
| | | Min | Max | |
| T_{ov} | Output Data Valid | - | 3.2 | ns |
| T_{oh} | Output Data Hold | 0 | - | ns |
| T_{ck} | SCK clock period | - | 80 | MHz |
| T_{css} | Chip select output setup time | 3 | - | SCK clock cycles |
| T_{csh} | Chip select output hold time | 3 | - | SCK clock cycles |

NOTE

- T_{css} and T_{csh} are set by QuadSPI_FLSCH register, the minimum values of 3 shown are the register default values, refer to Reference Manual for further details.
- The timing in the datasheet is based on default values for the QuadSPI-SMPR register and is the recommended setting for highest SCK frequency in SDR mode.
- A negative time indicates the actual capture edge inside the device is earlier than clock appearing at pad.
- Frequency calculator guideline (Max read frequency): $T_{ck} > (\text{Flash access time})_{\text{max}} + (T_{is})_{\text{max}}$
- A negative input hold time has no bearing on the maximum achievable operating frequency.

DDR Mode



Figure 32. QuadSPI Input/Read timing (DDR mode)

NOTE

- The numbers are for a setting of 0x1 in register QuadSPI_SMPR[DDRSMP]
- Read frequency calculations should be: $T_{ck}/2 > (\text{flash access time}) + \text{Setup } (T_{is}) - (\text{QuadSPI_SMPR[DDRSMP]}) \times T_{ck}/4$
- Frequency calculator guideline (Max read frequency): $T_{ck}/2 > (\text{Flash access time})_{\text{max}} + (T_{is})_{\text{max}} - (\text{QuadSPI_SMPR[DDRSMP]}) \times T_{ck}/4$
- Hold timing: $\text{flash_access (min)} + \text{flash_data_valid (min)} > T_{ck}/2 + \text{HOLD}(T_{ih}) + (\text{QuadSPI_SMPR[DDRSMP]})T_{ck}/4$

Table 50. QuadSPI Input/Read timing (DDR mode)

| Symbol | Parameter | Value | | Unit |
|----------|---|-------|-----|------|
| | | Min | Max | |
| T_{is} | Setup time for incoming data | 6.5 | — | ns |
| T_{ih} | Hold time requirement for incoming data | 0 | — | ns |

NOTE



Figure 33. QuadSPI Output/Write timing (DDR mode)

Table 51. QuadSPI Output/Write timing (DDR mode)

| Symbol | Parameter | Value | | Unit |
|-----------|-------------------------------|-------|-----|----------|
| | | Min | Max | |
| T_{ov} | Output Data Valid | — | 3.9 | ns |
| T_{oh} | Output Data Hold | 0 | — | ns |
| T_{ck} | SCK clock period | - | 45 | MHz |
| T_{css} | Chip select output setup time | 3 | - | Clk(sck) |
| T_{csh} | Chip select output hold time | 3 | - | Clk(sck) |

9.5.2 NAND flash controller specifications

The NAND flash controller (NFC) implements the interface to standard NAND flash memory devices. This section describes the timing parameters of the NFC.

In the following table:

- T_H is the flash clock high time and
- T_L is flash clock low time,

which are defined as:

$$T_{NFC} = T_H + T_L$$

NOTE

See the CCM section of the product reference manual for further details on setting up the NFC clocks (CCM_CSCDR2[NFC_FRAC_DIV_EN + NFC_FRAC_DIV] and CCM_CSCDR3[NFC_PRE_DIV]).

Table 52. NFC specifications

| Num | Description | Min. | Max. | Unit |
|-----------|--|--------------------|------|------|
| t_{CLS} | NFC_CLE setup time | $2T_H + T_L - 1$ | — | ns |
| t_{CLH} | NFC_CLE hold time | $T_H + T_L - 1$ | — | ns |
| t_{CS} | $\overline{\text{NFC_CE}}_n$ setup time | $2T_H + T_L - 1$ | — | ns |
| t_{CH} | $\overline{\text{NFC_CE}}_n$ hold time | $T_H + T_L$ | — | ns |
| t_{WP} | $\overline{\text{NFC_WP}}$ pulse width | $T_L - 1$ | — | ns |
| t_{ALS} | NFC_ALE setup time | $2T_H + T_L$ | — | ns |
| t_{ALH} | NFC_ALE hold time | $T_H + T_L$ | — | ns |
| t_{DS} | Data setup time | $T_L - 1$ | — | ns |
| t_{DH} | Data hold time | $T_H - 1$ | — | ns |
| t_{WC} | Write cycle time | $T_H + T_L - 1$ | — | ns |
| t_{WH} | $\overline{\text{NFC_WE}}$ hold time | $T_H - 1$ | — | ns |
| t_{RR} | Ready to $\overline{\text{NFC_RE}}$ low | $4T_H + 3T_L + 90$ | — | ns |
| t_{RP} | $\overline{\text{NFC_RE}}$ pulse width | $T_L + 1$ | — | ns |
| t_{RC} | Read cycle time | $T_L + T_H - 1$ | — | ns |
| t_{REH} | $\overline{\text{NFC_RE}}$ high hold time | $T_H - 1$ | — | ns |
| t_{IS} | Data input setup time | 11 | — | ns |



Figure 34. Command latch cycle timing



Figure 35. Address latch cycle timing



Figure 36. Write data latch cycle timing



Figure 37. Read data latch cycle timing in Slow mode



Figure 38. Read data latch cycle timing in Fast mode and EDO mode

9.5.3 FlexBus timing specifications

This section provides FlexBus timing parameters. All processor bus timings are synchronous; input setup/hold and output delay are given in respect to the rising edge of a reference clock, FB_CLK. The FB_CLK frequency may be the same as the internal system bus frequency.

The following timing numbers indicate when data is latched or driven onto the external bus, relative to the FlexBus output clock (FB_CLK). All other timing relationships can be derived from these values.

All FlexBus signals use pad type pad_fsr. The following timing specifications assume a pad slew rate setting of 11 and a load of 50 pF³

Table 53. FlexBus timing specifications

| Num | Characteristic | Min | Max | Unit |
|-----|------------------------|------|---|------|
| | Frequency of operation | — | 83 ¹ (with Wait state) 57 ² without Wait state -1 | MHz |
| FB1 | Clock Period | 12 | — | ns |
| FB4 | Input setup | 10.6 | — | ns |
| FB5 | Input hold | 0 | — | ns |
| FB2 | Output valid | — | 6.4 | ns |
| FB3 | Output hold | 0 | — | ns |

1. Freq = 1000/(11+ access time of external memory+ trace delay for clk and data)
 2. Freq = 1000/(17+access time of external memory)

3. These timing parameters are specified assuming maximum operating frequency and the fastest pad slew rate setting (11).



Figure 39. FlexBus read timing



Figure 40. FlexBus write timing

9.5.4 DDR controller specifications

9.5.4.1 DDR3 Timing Parameters



Figure 41. DDR3 Command and Address Timing Parameters

NOTE

RESET pin has a external weak pull DOWN requirement if DDR3 memory is NOT required to support content retention in the device low power modes where core voltage is off but DRAM voltage is on.

NOTE

RESET pin has a external weak pull UP requirement if DDR3 memory is required to support content retention in the device low power modes where core voltage is off but DRAM voltage is on.

NOTE

CKE pin has a external weak pull down requirement.

Table 54. DDR3 Timing Parameter

| ID | Parameter | Symbol | CK = 400 MHz | | Unit |
|------|---------------------------------------|--------|--------------|------|------|
| | | | Min | Max | |
| DDR1 | CK clock high-level width | tCH | 0.47 | 0.53 | tCK |
| DDR2 | CK clock low-level width | tCL | 0.47 | 0.53 | tCK |
| DDR4 | CS, RAS, CAS, CKE, WE, ODT setup time | tIS | 440 | - | ps |
| DDR5 | CS, RAS, CAS, CKE, WE, ODT hold time | tIH | 315 | - | ps |
| DDR6 | Address output setup time | tIS | 440 | - | ps |
| DDR7 | Address output hold time | tIH | 315 | - | ps |

NOTE

All measurements are in reference to Vref level.

NOTE

Measurements were done using balanced load and 25 ohms resistor from outputs to VDD_REF.

9.5.4.2 DDR3 Read Cycle



Figure 42. DDR3 Read Cycle

Table 55. DDR3 Read Cycle

| ID | Parameter | Symbol | CK = 400 MHz | | Unit |
|-------|--|--------|--------------|-----|------|
| | | | Min | Max | |
| DDR26 | Minimum required DQ valid window width | - | 750 | - | ps |

NOTE

To receive the reported setup and hold values, read calibration should be performed in order to locate the DQS in the middle of DQ window.

NOTE

All measurements are in reference to Vref level.

NOTE

Measurements were done using balanced load and 25 ohms resistor from outputs to VDD_REF

9.5.4.3 DDR3 Write cycle



Figure 43. DDR3 Write cycle

Table 56. DDR3 Write cycle

| ID | Parameter | Symbol | CK = 400 MHz | | Unit |
|-------|---|--------|--------------|-------|------|
| | | | Min | Max | |
| DDR17 | DQ and DQM setup time to DQS (differential strobe) | tDS | 240 | — | ps |
| DDR18 | DQ and DQM hold time to DQS (differential strobe) | tDH | 215 | — | ps |
| DDR21 | DQS latching rising transitions to associated clock edges | tDQSS | -0.25 | +0.25 | tCK |
| DDR22 | DQS high level width | tDQSH | 0.45 | 0.55 | tCK |
| DDR22 | DQS low level width | tDQSL | 0.45 | 0.55 | tCK |

NOTE

To receive the reported setup and hold values, write calibration should be performed in order to locate the DQS in the middle of DQ window.

NOTE

All measurements are in reference to Vref level.

NOTE

Measurements were done using balanced load and 25 ohms resistor from outputs to VDD_REF.

9.5.4.4 LPDDR2 Timing Parameter



Figure 44. LPDDR2 Command and Address timing parameter

NOTE

RESET pin has a external weak pull DOWN requirement if LPDDR2 memory is NOT required to support content retention in the device low power modes where core voltage is off but DRAM voltage is on.

NOTE

RESET pin has a external weak pull UP requirement if LPDDR2 memory is required to support content retention in the device low power modes where core voltage is off but DRAM voltage is on.

NOTE

CKE pin has a external weak pull down requirement.

Table 57. LPDDR2 Timing Parameter

| ID | Parameter | Symbol | CK = 400 MHz | | Unit |
|-----|------------------------------|--------|--------------|------|------|
| | | | Min | Max | |
| LP1 | SDRAM clock high-level width | tCH | 0.45 | 0.55 | tCK |
| LP2 | SDRAM clock LOW-level width | tCL | 0.45 | 0.55 | tCK |
| LP3 | CS, CKE setup time | tIS | 230 | - | ps |
| LP4 | CS, CKE hold time | tIH | 230 | - | ps |
| LP3 | CA setup time | tIS | 230 | - | ps |
| LP4 | CA hold time | tIH | 230 | - | ps |

NOTE

All measurements are in reference to Vref level.

NOTE

Measurements were done using balanced load and 25 ohms resistor from outputs to VDD_REF.

9.5.4.5 LPDDR2 Read Cycle



Figure 45. LPDDR2 Read cycle

Table 58. LPDDR2 Read Cycle

| ID | Parameter | Symbol | CK = 400 MHz | | Unit |
|------|---|--------|--------------|-----|------|
| | | | Min | Max | |
| LP26 | Minimum required DQ valid window width for LPDDR2 | - | 270 | - | ps |

NOTE

To receive the reported setup and hold values, read calibration should be performed in order to locate the DQS in the middle of DQ window.

NOTE

All measurements are in reference to Vref level.

NOTE

Measurements were done using balanced load and 25 ohms resistor from outputs to VDD_REF

9.5.4.6 LPDDR2 Write Cycle



Figure 46. LPDDR3 Write Cycle

Table 59. LPDDR2 Write Cycle

| ID | Parameter | Symbol | CK = 400 MHz | | Unit |
|------|---|-------------------|--------------|-------|------|
| | | | Min | Max | |
| LP17 | DQ and DQM setup time to DQS (differential strobe) | t _{DS} | 220 | 0.55 | ps |
| LP18 | DQ and DQM hold time to DQS (differential strobe) | t _{DH} | 220 | 0.55 | ps |
| LP21 | DQS latching rising transitions to associated clock edges | t _{DQSS} | -0.25 | +0.25 | tCK |
| LP22 | DQS high level width | t _{DQSH} | 0.4 | - | tCK |
| LP23 | DQS low level width | t _{DQSL} | 0.4 | - | tCK |

NOTE

To receive the reported setup and hold values, write calibration should be performed in order to locate the DQS in the middle of DQ window.

NOTE

All measurements are in reference to V_{ref} level.

NOTE

Measurements were done using balanced load and 25 ohms resistor from outputs to V_{DD_REF}.

9.6 Communication interfaces

9.6.1 MediaLB (MLB) DC Characteristics

The section lists the MediaLB 3-pin interface electrical characteristics.

Table 60. MediaLB 3-Pin Interface Electrical DC Specifications

| Parameter | Symbol | Test Conditions | Min | Max | Unit |
|-----------------------------|----------|--------------------------|-----|----------|---------------|
| Maximum input voltage | — | — | — | 3.6 | V |
| Low level input threshold | V_{IL} | — | — | 0.7 | V |
| High level input threshold | V_{IH} | See Note ¹ | 1.8 | — | V |
| Low level output threshold | V_{OL} | $I_{OL} = -6 \text{ mA}$ | — | 0.4 | V |
| High level output threshold | V_{OH} | $I_{OH} = -6 \text{ mA}$ | 2.0 | — | V |
| Input leakage current | I_L | $0 < V_{in} < V_{DD}$ | — | ± 10 | μA |

- Higher V_{IH} thresholds can be used; however, the risks associated with less noise margin in the system must be evaluated and assumed by the customer.

9.6.2 MediaLB (MLB) Controller AC Timing Electrical Specifications

This section describes the timing electrical information of the MediaLB module.



Figure 47. MediaLB 3-PinTiming

Ground = 0.0 V; Load Capacitance = 40 pF, input transition= 1 ns; MediaLB speed = 256/512 Fs; Fs = 48 kHz; all timing parameters specified from the valid voltage threshold as listed below; unless otherwise noted.

Table 61. MLB 256/512 Fs Timing Parameters

| Parameter | Symbol | Min | Max | Unit | Comment |
|--|-------------|----------------|------|------|--|
| MLBCLK operating frequency | f_{mck} | 11.264 | 25.6 | MHz | 256xFs at 44.0 kHz, 512xFs at 50.0 kHz |
| MLBCLK rise time | t_{mckr} | Refer Table 21 | | ns | V_{IL} to V_{IH} |
| MLBCLK fall time | t_{mckf} | | | ns | V_{IH} to V_{IL} |
| MLBCLK low time ¹ | t_{mckl} | 30, 14 | — | ns | 256xFs, 512xFs |
| MLBCLK high time | t_{mckh} | 30, 14 | — | ns | 256xFs, 512xFs |
| MLBSIG/MLBDAT receiver input setup to MLBCLK falling | t_{dsmcf} | 3 | — | ns | — |
| MLBSIG/MLBDAT receiver input hold from MLBCLK low | t_{dhmf} | 2 | — | ns | — |
| MLBSIG/MLBDAT output valid from MLBCLK low | t_{mckd} | 0 | 16 | ns | 2 |
| Bus output hold from MLBCLK low | t_{mdzh} | 2 | — | ns | — |

1. MLBCLK low/high time includes the pluse width variation.

2. The MediaLB driver can release the MLBDAT/MLBSIG line as soon as MLBCLK is low; however, the logic state of the final driven bit on the line must remain on the bus for t_{mdzh} . Therefore, coupling must be minimized while meeting the maximum load capacitance listed.

Table 62. MLB 1024 Fs Timing Parameters

| Parameter | Symbol | Min | Max | Unit | Comment |
|--|-------------|----------------|------|------|--|
| MLBCLK Operating Frequency ¹ | f_{mck} | 45.056 | 51.2 | MHz | 1024xfs at 44.0 kHz 1024xfs at 50.0 kHz |
| MLBCLK rise time | t_{mckr} | Refer Table 21 | | ns | V_{IL} to V_{IH} |
| MLBCLK fall time | t_{mckf} | | | ns | V_{IH} to V_{IL} |
| MLBCLK low time | t_{mckl} | 6.1 | — | ns | 2 |
| MLBCLK high time | t_{mckh} | 9.3 | — | ns | |
| MLBSIG/MLBDAT receiver input setup to MLBCLK falling | t_{dsmcf} | 3 | — | ns | |
| MLBSIG/MLBDAT receiver input hold from MLBCLK low | t_{dhmcf} | 2 | — | ns | |
| MLBSIG/MLBDAT output valid from MLBCLK low | t_{mcfdz} | - | 16 | ns | 3 |
| Bus Hold from MLBCLK low | t_{mdzh} | 2 | — | ns | |

1. The controller can shut off MLBCLK to place MediaLB in a low-power state. Depending on the time the clock is shut off, a runt pulse can occur on MLBCLK.
2. MLBCLK low/high time includes the pluse width variation.
3. The MediaLB driver can release the MLBDAT/MLBSIG line as soon as MLBCLK is low; however, the logic state of the final driven bit on the line must remain on the bus for t_{mdzh} . Therefore, coupling must be minimized while meeting the maximum load capacitance listed.

9.6.3 DSPI timing specifications

Table 63. DSPI timing

| No. | Symbol | Characteristic | Condition | Min | Max | Unit |
|-----|-----------|--|-----------|---------------|-----|-----------|
| 1 | t_{SCK} | SCK Cycle Time | — | $t_{SYS} * 2$ | — | ns |
| 4 | t_{SDC} | SCK Clock Pulse Width | — | 40% | 60% | t_{SCK} |
| 2 | t_{CSC} | CS to SCK Delay | Master | 16 | — | ns |
| 3 | t_{ASC} | After SCK Delay | Master | 16 | — | ns |
| 5 | t_A | Slave Access Time (SS active to SOUT driven) | Slave | — | 15 | ns |
| 6 | t_{DI} | Slave Disable Time (SS inactive to SOUT High-Z or invalid) | Slave | — | 10 | ns |
| 9 | t_{SUI} | Data Setup Time for Inputs | Master | 9 | — | ns |

Table continues on the next page...

Table 63. DSPI timing (continued)

| No. | Symbol | Characteristic | Condition | Min | Max | Unit |
|-----|----------|---|-----------|-----|-----|------|
| 10 | t_{HI} | Data Hold Time for Inputs | Slave | 4 | — | ns |
| | | | Master | 0 | — | |
| | | | Slave | 2 | — | |
| 11 | t_{DV} | Data Valid (after SCK edge) for Outputs | Master | — | 5 | ns |
| | | | Slave | — | 10 | |
| 12 | t_{HO} | Data Hold Time for Outputs | Master | 0 | — | ns |
| | | | Slave | 0 | — | |



Figure 48. DSPI classic SPI timing master, CPHA=0



Figure 49. DSPI classic SPI timing master, CPHA=1



Figure 50. DSPI classic SPI timing slave, CPHA=0



Figure 51. DSPI classic SPI timing slave, CPHA=1

9.6.4 I2C timing

Table 64. I2C input timing specifications — SCL and SDA ¹

| No. | Parameter | Min. | Max. | Unit |
|-----|--|------|------|----------------------------|
| 1 | Start condition hold time | 2 | — | PER_CLK Cycle ² |
| 2 | Clock low time | 8 | — | PER_CLK Cycle |
| 3 | Bus free time between Start and Stop condition | 4.7 | — | µs |
| 4 | Data hold time | 0.0 | — | µs |
| 5 | Clock high time | 4 | — | PER_CLK Cycle |
| 6 | Data setup time | 0.0 | — | ns |
| 7 | Start condition setup time (for repeated start condition only) | 2 | — | PER_CLK Cycle |
| 8 | Stop condition setup time | 2 | — | PER_CLK Cycle |

1. I2C input timing is valid for Automotive and TTL inputs levels, hysteresis enabled, and an input edge rate no slower than 1 ns (10% – 90%).
2. PER_CLK is the IPG Clock which drives the I2C BIU and module clock inputs. Typically this is 66 MHz. See the Clocking Overview chapter in the device reference manual for more details.

Table 65. I2C output timing specifications — SCL and SDA ^{1, 2, 3, 4}

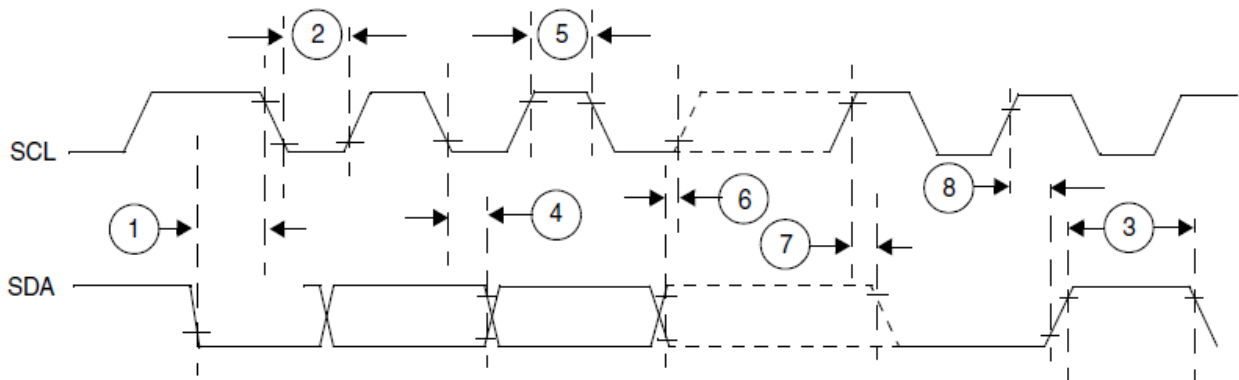
| No. | Parameter | Min | Max | Unit |
|-----|---------------------------|-----|-----|----------------------------|
| 1 | Start condition hold time | 6 | — | PER_CLK Cycle ⁵ |

Table continues on the next page...

Table 65. I2C output timing specifications — SCL and SDA 1, 2, 3, 4 (continued)

| No. | Parameter | Min | Max | Unit |
|-----|--|-----|-----|---------------|
| 2 | Clock low time | 10 | — | PER_CLK Cycle |
| 3 | Bus free time between Start and Stop condition | 4.7 | — | µs |
| 4 | Data hold time | 7 | — | PER_CLK Cycle |
| 5 | Clock high time | 10 | — | PER_CLK Cycle |
| 6 | Data setup time | 2 | — | PER_CLK Cycle |
| 7 | Start condition setup time (for repeated start condition only) | 20 | — | PER_CLK Cycle |
| 8 | Stop condition setup time | 10 | — | PER_CLK Cycle |

1. All output timing is worst case and includes the mismatching of rise and fall times of the output pads.
2. Output parameters are valid for $CL = 25$ pF, where CL is the external load to the device (lumped). The internal package capacitance is accounted for, and does not need to be subtracted from the 25 pF value.
3. Timing is guaranteed to same drive capabilities for all signals, mixing of pad drives may reduce operating speeds and may cause incorrect operation.
4. Programming the IBFD register (I2C bus Frequency Divider) with the maximum frequency results in the minimum output timings listed. The I2C interface is designed to scale the data transition time, moving it to the middle of the SCL low period. The actual position is affected by the pre-scale and division values programmed in the IBC field of the IBFD register.
5. PER_CLK is the IPG Clock which drives the I2C BIU and module clock inputs. Typically this is 66 MHz. See the Clocking Overview chapter in the device reference manual for more details.

**Figure 52. I2C input/output timing**

9.6.5 SDHC specifications

The following timing specs are defined at the chip I/O pin and must be translated appropriately to arrive at timing specs/constraints for the physical interface. A load of 50 pF is assumed.

Table 66. SDHC switching specifications

| Num | Symbol | Description | Min. | Max. | Unit |
|---|------------------|---|------|-------|------|
| | | Operating voltage | 1.71 | 3.6 | V |
| Card input clock | | | | | |
| SD1 | f _{pp} | Clock frequency (low speed) | 0 | 400 | kHz |
| | f _{pp} | Clock frequency (SD\SDIO full speed\high speed) | 0 | 25\50 | MHz |
| | f _{pp} | Clock frequency (MMC full speed\high speed) | 0 | 20\50 | MHz |
| | f _{OD} | Clock frequency (identification mode) | 0 | 400 | kHz |
| SD2 | t _{WL} | Clock low time | 7 | — | ns |
| SD3 | t _{WH} | Clock high time | 7 | — | ns |
| SD4 | t _{TLH} | Clock rise time | — | 3 | ns |
| SD5 | t _{THL} | Clock fall time | — | 3 | ns |
| SDHC output / card inputs SDHC_CMD, SDHC_DAT (reference to SDHC_CLK) | | | | | |
| SD6 | t _{OD} | SDHC output delay (output valid) | -5 | 4 | ns |
| SDHC input / card inputs SDHC_CMD, SDHC_DAT (reference to SDHC_CLK) | | | | | |
| SD7 | t _{ISU} | SDHC input setup time | 5 | — | ns |
| SD8 | t _{IH} | SDHC input hold time | 0 | — | ns |



Figure 53. SDHC timing

9.6.6 USB PHY specifications

This section describes the USB-OTG PHY and the USB Host port PHY parameters.

The USB PHY meets the electrical compliance requirements defined in the Universal Serial Bus Revision 2.0 OTG, USB Host with the amendments below (On-The-Go and Embedded Host Supplement to the USB Revision 2.0 Specification is not applicable to Host port).

- USB ENGINEERING CHANGE NOTICE
 - Title: 5V Short Circuit Withstand Requirement Change
 - Applies to: Universal Serial Bus Specification, Revision 2.0
- Errata for USB Revision 2.0 April 27, 2000 as of 12/7/2000
- USB ENGINEERING CHANGE NOTICE
 - Title: Pull-up/Pull-down resistors
 - Applies to: Universal Serial Bus Specification, Revision 2.0
- USB ENGINEERING CHANGE NOTICE
 - Title: Suspend Current Limit Changes
 - Applies to: Universal Serial Bus Specification, Revision 2.0
- On-The-Go and Embedded Host Supplement to the USB Revision 2.0 Specification
 - Revision 2.0 plus errata and ecn June 4, 2010
- Battery Charging Specification (available from USB-IF)
 - Revision 1.2, December 7, 2010

9.7 Clocks and PLL Specifications

9.7.1 24 MHz Oscillator Specifications

The system crystal oscillator consists of a Pierce-type structure running off the digital supply. A straight forward biased-inverter implementation is used. The crystal must be rated for a drive level of 250 μ W or higher. An ESR (equivalent series resistance) of 80 Ω or less is recommended to achieve a gain margin of 5.

Table 67. 24MHz external oscillator electrical characteristics

| Symbol | Parameter | Condition | Value | | | Unit |
|-------------|--------------------------|-----------|-------|-----|-----|------|
| | | | Min | Typ | Max | |
| f_{osc} | Crystal oscillator range | — | — | 24 | — | MHz |
| I_{osc} | Startup current | — | — | < 5 | — | mA |
| t_{uposc} | Oscillator startup time | — | — | < 5 | — | ms |

Table continues on the next page...

Table 67. 24MHz external oscillator electrical characteristics (continued)

| Symbol | Parameter | Condition | Value | | | Unit |
|-----------------|-----------------------------|---------------------|------------------------------------|-----|-----------------------|------|
| | | | Min | Typ | Max | |
| C _{IN} | Input Capacitance | EXTAL and XTAL pins | — | 9 | — | pF |
| V _{IH} | XTAL pin input high voltage | — | 0.8 x V _{DD} ¹ | — | V _{DD} +0.3 | V |
| V _{IL} | XTAL pin input low voltage | — | V _{SS} -0.3 | — | 0.2 x V _{DD} | V |

1. V_{DD} = 1.1 V ± 10%, T_A = -40 to +85 °C, unless otherwise specified.

9.7.2 32 KHz Oscillator Specifications

This block implements an amplifier that when combined with a suitable quartz crystal and external load capacitors implements a low power oscillator. It also implements a power mux such that it can be powered from either a ~3 V backup battery or VDDIO such as the oscillator consumes power from VDDIO when that supply is available and transitions to the back up battery when VDDIO is lost.

In addition, if the clock monitor determines that the OSC32K is not present, then the source of the 32 K will automatically switch to the 128kHz internal RC clock divided by 4.

The OSC32k runs from vdd_rtc supply, generated inside OSC32k itself from VDDIO/ VBAT. The target battery is a ~3 V coin cell. Proper choice of coin cell type is necessary for chosen VDDIO range. Appropriate series resistor (R_s) must be used when connecting the coin cell. R_s depends on the charge current limit that depends on the chosen coin cell.

For example:

- Average Discharge Voltage is 2.5 V
- Maximum Charge Current is 0.6 mA

For a charge voltage of 3.2 V, R_s = (3.2-2.5)/0.6 m = 1.17 k

Table 68. OSC32K Main Characteristics

| | Notes | Min | Typ | Max |
|---------------------|---|-----|------------|-----|
| F _{Osc} | This frequency is nominal and determined mainly by the crystal selected. 32.0 K would work as well. | | 32.768 KHz | |
| Current consumption | The 4 µA is the consumption of the oscillator alone (OSC32k). Total supply consumption will depend on what the digital portion of the RTC consumes. The ring oscillator consumes 1 µA when ring oscillator is inactive, 20 µA when the ring | | 4 µA | |

Table continues on the next page...

Table 68. OSC32K Main Characteristics (continued)

| | Notes | Min | Typ | Max |
|--------------------|--|-----|---------------|-----|
| | oscillator is running. Another 1.5 μA is drawn from vdd_rtc in the power_detect block. So, the total current is 6.5 μA on vdd_rtc when the ring oscillator is not running. | | | |
| Bias resistor | This the integrated bias resistor that sets the amplifier into a high gain state. Any leakage through the ESD network, external board leakage, or even a scope probe that is significant relative to this value will debias the amp. The debiasing will result in low gain, and will impact the circuit's ability to start up and maintain oscillations. | | 14 M Ω | |
| Crystal Properties | | | | |
| Clload | Usually crystals can be purchased tuned for different Clloads. This Clload value is typically 1/2 of the capacitances realized on the PCB on either side of the quartz. A higher Clload will decrease oscillation margin, but increases current oscillating through the crystal | | 12.5 pF | |
| ESR | Equivalent series resistance of the crystal. Choosing a crystal with a higher value will decrease the oscillating margin. | | 50 k Ω | |

9.7.3 Fast internal RC oscillator (24 MHz) electrical characteristics

This section describes a fast internal RC oscillator (FIRC). This is used as the default clock at the power-up of the device.

Table 69. Fast internal oscillator electrical characteristics

| Symbol | Parameter | Condition ¹ | Value | | | Unit |
|--------------|--|--|-------|-----|-----|---------------|
| | | | Min | Typ | Max | |
| f_{RCM} | RC oscillator high frequency | $T_A = 25\text{ }^\circ\text{C}$, trimmed | — | 24 | — | MHz |
| I_{RCMRUN} | RC oscillator high frequency current in running mode | $T_A = 25\text{ }^\circ\text{C}$, trimmed | — | 55 | | μA |
| I_{RCMPWD} | RC oscillator high frequency current in power down mode | $T_A = 25\text{ }^\circ\text{C}$ | | 100 | | nA |
| RCMTRIM | RC oscillator precision after trimming of f_{RC} | $T_A = 25\text{ }^\circ\text{C}$ | -1 | — | +1 | % |
| RCMVAR | RC oscillator variation in temperature and supply with respect to f_{RC} at $T_A = 55\text{ }^\circ\text{C}$ in high frequency configuration | | -5 | | +5 | % |

1. $V_{DD} = 1.2\text{ V}$, $T_A = -40\text{ to }+85\text{ }^\circ\text{C}$, unless otherwise specified.

9.7.4 Slow internal RC oscillator (128 KHz) electrical characteristics

This section describes a slow internal RC oscillator (SIRC). This can be used as the reference clock for the RTC module.

Table 70. Slow internal RC oscillator electrical characteristics

| Symbol | Parameter | Condition ¹ | Value | | | Unit |
|------------------|---|---------------------------------|-------|-----|-----|------|
| | | | Min | Typ | Max | |
| f _{RCL} | RC oscillator low frequency | T _A = 25 °C, trimmed | — | 128 | — | kHz |
| I _{RCL} | RC oscillator low frequency current | T _A = 25 °C, trimmed | — | 3.1 | | μA |
| RCLTRIM | RC oscillator precision after trimming of f _{RCL} | T _A = 25 °C | -1 | — | +1 | % |
| RCLVAR 3 | RC oscillator variation in temperature and supply with respect to f _{RC} at T _A = 55 °C in high frequency configuration | High frequency configuration | -5 | — | +5 | % |

1. V_{DD} = 1.2 V , T_A = -40 to +85 °C, unless otherwise specified.

9.7.5 PLL1 and PLL2 (528 MHz System PLL) Electrical Parameters

Table 71. PLL1 and PLL2 Electrical Parameters

| Parameter | Value |
|--------------------|------------------------|
| Clock output range | 528 MHz PLL output |
| Reference clock | 24 MHz |
| Lock time | <7500 reference cycles |
| Period jitter(p2p) | <140ps |
| Duty Cycle | 48.9%~51.7% PLL output |

9.7.6 PLL3 and PLL7 (480 MHz USB PLL) Electrical Parameters

Table 72. PLL3 and PLL7 Electrical Parameters

| Parameter | Value |
|--------------------|------------------------|
| Clock output range | 480 MHz PLL output |
| Reference clock | 24 MHz |
| Lock time | <425 reference cycles |
| Period jitter(p2p) | <140 ps |
| Duty Cycle | 48.9%~51.7% PLL output |

9.7.7 PLL5 (Ethernet PLL) Electrical Parameters

Table 73. PLL5 Electrical Parameters

| Parameter | Value |
|--|------------------------|
| Clock output range | 500 MHz |
| Reference clock | 24 MHz |
| Lock time | <7500 reference cycles |
| Cycle to cycle jitter (p2p) ¹ | <400ps @ 50 MHz |
| Duty Cycle | 45%~55% |

1. Jitter numbers are measured at divided PLL clock because high frequency cannot be brought-out IO pad.

9.7.8 PLL4 (Audio PLL) Electrical Parameters

Table 74. PLL4 Electrical Parameters

| Parameter | Value |
|---------------------------------|------------------------|
| Clock output range | 650 MHz ~1.3 GHz |
| Reference clock | 24 MHz |
| Lock time | <7500 reference cycles |
| Long term jitter(RMS) | <42ps @ 1128MHz |
| Period jitter(p2p) ¹ | <115ps@1128MHz |
| Duty Cycle | 43%~57% |

1. Jitter numbers are measured at divided PLL clock because high frequency cannot be brought-out on IO pad.

9.7.9 PLL6 (Video PLL) Electrical Parameters

Table 75. PLL6 Electrical Parameters

| Parameter | Value |
|------------------------------------|------------------------|
| Clock output range | 650 MHz ~1.3 GHz |
| Reference clock | 24 MHz |
| Lock time | <7500 reference cycles |
| Long term jitter(RMS) ¹ | <42ps @ 1128 MHz |
| Period jitter(p2p) | <130ps @960MHz |
| Duty Cycle | 43%~57% |

1. Jitter numbers are measured at divided PLL clock because high frequency cannot be brought-out on IO pad & at use case frequency.

9.8 Debug specifications

9.8.1 JTAG electricals

Table 76. JTAG limited voltage range electricals

| Symbol | Description | Min. | Max. | Unit |
|--------|--|--------------------------------|------|------|
| | Operating voltage | 2.7 | 3.6 | V |
| J1 | TCLK frequency of operation <ul style="list-style-type: none"> • Boundary Scan • JTAG and CJTAG • Serial Wire Debug | - | 25 | MHz |
| J2 | TCLK cycle period | 1/J1 | — | ns |
| J3 | TCLK clock pulse width <ul style="list-style-type: none"> • Boundary Scan • JTAG and CJTAG • Serial Wire Debug | 20 | — | ns |
| J4 | TCLK rise and fall times | Refer Table 21 | | ns |
| J5 | Boundary scan input data setup time to TCLK rise | 8 | — | ns |
| J6 | Boundary scan input data hold time after TCLK rise | 1.3 | — | ns |
| J7 | TCLK low to boundary scan output data valid | — | 17 | ns |
| J8 | TCLK low to boundary scan output high-Z | — | 17 | ns |
| J9 | TMS, TDI input data setup time to TCLK rise | 8 | — | ns |
| J10 | TMS, TDI input data hold time after TCLK rise | 1.3 | — | ns |
| J11 | TCLK low to TDO data valid | — | 17 | ns |
| J12 | TCLK low to TDO high-Z | — | 17 | ns |

NOTE

Input transition (1ns), output load (25 pf) and SRE (000), DSE (111), FSEL(011).



Figure 54. Test clock input timing



Figure 55. Boundary scan (JTAG) timing



Figure 56. Test Access Port timing

9.8.2 Debug trace timing specifications

Table 77. Debug trace operating behaviors

| Symbol | Description | Min. | Max. | Unit |
|-----------|--------------------------------|--------------------------------|------|------|
| T_{cyc} | Clock period | 50 | | MHz |
| T_{wl} | Low pulse width | 2 | — | ns |
| T_{wh} | High pulse width | 2 | — | ns |
| T_r | Clock and data rise time | Refer Table 21 | | ns |
| T_f | Clock and data fall time Refer | | | ns |
| tDV | Data output valid | 3 | — | ns |
| tHO | Data output hold | 1 | — | ns |



Figure 57. TRACE_CLKOUT specifications



Figure 58. Trace data specifications

10 Thermal attributes

10.1 Thermal attributes

This table shows the thermal attributes for the 176 LQFP package.

| Board type | Symbol | Description | 176 LQFP | Unit | Notes |
|-------------------|---------------------------|--|----------|-----------------------------|-------|
| Single-layer (1s) | $R_{\theta JA}$ | Thermal resistance, junction to ambient (natural convection) | 50 | $^{\circ}\text{C}/\text{W}$ | 1, 2 |
| Four-layer (2s2p) | $R_{\theta JA}$ | Thermal resistance, junction to ambient (natural convection) | 32 | $^{\circ}\text{C}/\text{W}$ | 1,3 |
| Single-layer (1s) | $R_{\theta JMA}$ | Thermal resistance, junction to ambient (200 ft./min. air speed) | 40 | $^{\circ}\text{C}/\text{W}$ | 1, 3 |
| Four-layer (2s2p) | $R_{\theta JMA}$ | Thermal resistance, junction to ambient (200 ft./min. air speed) | 25 | $^{\circ}\text{C}/\text{W}$ | 1, 3 |
| — | $R_{\theta JB}$ | Thermal resistance, junction to board | 21 | $^{\circ}\text{C}/\text{W}$ | 4 |
| — | $R_{\theta J\text{Ctop}}$ | Thermal resistance, junction to case top | 12 | $^{\circ}\text{C}/\text{W}$ | 5 |
| — | Ψ_{JT} | Thermal characterization parameter, junction to package top (natural convection) | 3 | $^{\circ}\text{C}/\text{W}$ | 6 |

1. Junction temperature is a function of die size, on-chip power dissipation, package thermal resistance, mounting site (board) temperature, ambient temperature, air flow, power dissipation of other components on the board, and board thermal resistance
2. Per JEDEC JESD51-2 with the single layer board (JESD51-3) horizontal
3. Per JEDEC JESD51-6 with the board (JESD51-7) horizontal.
4. Thermal resistance between the die and the printed circuit board per JEDEC JESD51-8. Board temperature is measured on the top surface of the board near the package.
5. Thermal resistance between the die and the case top surface as measured by the cold plate method (MIL SPEC-883 Method 1012.1).
6. Thermal characterization parameter indicating the temperature difference between package top and the junction temperature per JEDEC JESD51-2.

This table shows the thermal attributes for the 364 MAPBGA package.

Dimensions

| Board type | Symbol | Description | 364 MAPBGA | Unit | Notes |
|-------------------|------------------|---|------------|------|-------|
| Single-layer (1s) | $R_{\theta JA}$ | Thermal resistance, junction to ambient (natural convection) | 45 | °C/W | 1, 2 |
| Four-layer (2s2p) | $R_{\theta JA}$ | Thermal resistance, junction to ambient (natural convection) | 28 | °C/W | 1, 3 |
| Single-layer (1s) | $R_{\theta JMA}$ | Thermal resistance, junction to ambient (200 ft./min. air speed) | 37 | °C/W | 1,3 |
| Four-layer (2s2p) | $R_{\theta JMA}$ | Thermal resistance, junction to ambient (200 ft./min. air speed) | 24 | °C/W | 1,3 |
| — | $R_{\theta JB}$ | Thermal resistance, junction to board | 17 | °C/W | 4 |
| — | $R_{\theta JC}$ | Thermal resistance, junction to case | 10 | °C/W | 5 |
| — | Ψ_{JT} | Thermal characterization parameter, junction to package top outside center (natural convection) | 2 | °C/W | 6 |

1. Junction temperature is a function of die size, on-chip power dissipation, package thermal resistance, mounting site (board) temperature, ambient temperature, air flow, power dissipation of other components on the board, and board thermal resistance.
2. Per JEDEC JESD51-2 with the single layer board horizontal. Board meets JESD51-9 specification.
3. Per JEDEC JESD51-6 with the board horizontal.
4. Thermal resistance between the die and the printed circuit board per JEDEC JESD51-8. Board temperature is measured on the top surface of the board near the package.
5. Thermal resistance between the die and the case top surface as measured by the cold plate method (MIL SPEC-883 Method 1012.1).
6. Thermal characterization parameter indicating the temperature difference between package top and the junction temperature per JEDEC JESD51-2.

11 Dimensions

11.1 Obtaining package dimensions

Package dimensions are provided in package drawing.

To find a package drawing, go to www.nxp.com and perform a keyword search for the drawing's document number:

| Package | Document Number |
|--------------|-----------------|
| 176-pin LQFP | 98ASA00452D |
| 364 MAPBGA | 98ASA00418D |

12 Pinouts

12.1 Pinouts

The following table shows the signals available on each pin and the locations of these pins on the devices supported by this document. The IOMUX Controller Module is responsible for selecting which ALT functionality is available on each pin.

| 364 MAP BGA | 176 LQFP | Pin Name | Default | ALT0 | ALT1 | ALT2 | ALT3 | ALT4 | ALT5 | ALT6 | ALT7 | EzPort |
|-------------|----------|------------------|---------|------|------------------|------|------|------|------|------|------|--------|
| Y2 | — | ADC0SE8 | N/A | | ADC0_SE8 | | | | | | | |
| W2 | — | ADC0SE9 | | | ADC0_SE9 | | | | | | | |
| W3 | — | ADC1SE8 | | | ADC1_SE8 | | | | | | | |
| Y3 | — | ADC1SE9 | | | ADC1_SE9 | | | | | | | |
| W1 | 34 | VREFH_ADC | | | VREFH_ADC | | | | | | | |
| U3 | 33 | VREFL_ADC | | | VREFL_ADC | | | | | | | |
| V1 | 31 | VDDA33_ADC | | | VDDA33_ADC | | | | | | | |
| V2 | 32 | VSSA33_ADC | | | VSSA33_ADC | | | | | | | |
| U1 | 29 | DACO0 | | | DACO0 | | | | | | | |
| U2 | 30 | DACO1 | | | DACO1 | | | | | | | |
| Y4 | 35 | VADCSE0 | | | VADCSE0 | | | | | | | |
| U4 | 37 | VADCSE1 | | | VADCSE1 | | | | | | | |
| W4 | — | VADCSE2 | | | VADCSE2 | | | | | | | |
| V5 | — | VADCSE3 | | | VADCSE3 | | | | | | | |
| V3 | 40 | VDDA33_AFE | | | VDDA33_AFE | | | | | | | |
| V4 | 39 | VSSA33_AFE | | | VSSA33_AFE | | | | | | | |
| T5 | 36 | VDD12_AFE | | | VDD12_AFE | | | | | | | |
| R5 | 38 | VSS12_AFE | | | VSS12_AFE | | | | | | | |
| U5 | 41 | VADC_AFE_BANDGAP | | | VADC_AFE_BANDGAP | | | | | | | |
| Y13 | 73 | EXTAL | | | EXTAL | | | | | | | |
| W13 | 72 | XTAL | | | XTAL | | | | | | | |
| Y12 | 70 | EXTAL32 | | | EXTAL32 | | | | | | | |

Pinouts

| 364 MAP BGA | 176 LQFP | Pin Name | Default | ALT0 | ALT1 | ALT2 | ALT3 | ALT4 | ALT5 | ALT6 | ALT7 | EzPort |
|-------------------|-------------|---------------------------|----------------------|----------------------|---------------------------|---------------------------|---------------------------|-----------------|--------------------|-------------------|-----------------------------------|--------|
| W12 | 71 | XTAL32 | | | XTAL32 | | | | | | | |
| T4 | 28 | RESETB/ RESET_OUT | RESETB/ RESET_OUT | | RESETB/ RESET_OUT | | | | | | | |
| N5 | 19 | PTA6 | | PTA6 | RMII_ CLKOUT | RMII_CLKIN/ MII0_TXCLK | | DCU1_ TCON11 | | | DCU1_R2 | |
| T3 | 27 | TEST | | | TEST | | | | | | | |
| T1 | 23 | Ext_POR | | | TEST2 | | | | | | | |
| V12 | 69 | DECAP_ V11_LDO_ OUT | | | DECAP_ V11_LDO_ OUT | | | | | | | |
| T11 | 65 | DECAP_ V25_LDO_ OUT | | | DECAP_ V25_LDO_ OUT | | | | | | | |
| T2 | 26 | BCTRL | | | BCTRL | | | | | | | |
| P5 | 24 | VDDREG | | | VDDREG | | | | | | | |
| T12 | 68 | VDD33_ LDOIN | | | VDD33_ LDOIN | | | | | | | |
| V11 | 67 | VSS | | | VSS | | | | | | | |
| U11 | 66 | VSS_KELO | | | VSS_KELO | | | | | | | |
| W14 | — | LVDS0P | | | LVDS0P | | | | | | | |
| Y14 | — | LVDS0N | | | LVDS0N | | | | | | | |
| K4 | 3 | JTCLK/ SWCLK | JTCLK/ SWCLK | PTA8 | JTCLK/ SWCLK | | | DCU0_R0 | | | MLBCLK | |
| K2 | 4 | JTDI | JTDI | PTA9 | JTDI | RMII_ CLKOUT | RMII_CLKIN/ MII0_TXCLK | DCU0_R1 | | WDOG_b | | |
| K1 | 5 | JTDO | JTDO/ TRACESWO | PTA10 | JTDO | EXT_AUDIO_ MCLK | | DCU0_G0 | | ENET_TS_ CLKIN | MLBSIGNAL | |
| L1 | 6 | JTMS/ SWDIO | JTMS/ SWDIO | PTA11 | JTMS/ SWDIO | | | DCU0_G1 | | | MLBDATA | |
| L3 | 7 | PTA12 | | PTA12 | TRACECK | EXT_AUDIO_ MCLK | | | | VIU_DATA13 | I2C0_SCL | |
| Y5 | 43 | PTA16 | | PTA16 | TRACED0 | USB0_ VBUS_EN | ADC1_SE0 | LCD29 | SAI2_TX_ BCLK | VIU_DATA14 | I2C0_SDA | |
| Y6 | 44 | PTA17 | | PTA17 | TRACED1 | USB0_ VBUS_OC | ADC1_SE1 | LCD30 | USB0_SOF_ PULSE | VIU_DATA15 | I2C1_SCL | |
| V6 | 46 | PTA18 | | PTA18 | TRACED2 | ADC0_SE0 | FTM1_QD_ PHA | LCD31 | SAI2_TX_ DATA | VIU_DATA16 | I2C1_SDA | |
| U6 | 47 | PTA19 | | PTA19 | TRACED3 | ADC0_SE1 | FTM1_QD_ PHB | LCD32 | SAI2_TX_ SYNC | VIU_DATA17 | QSP11_A_ SCK | |
| B18 | 143 | PTA20 | | PTA20 | TRACED4 | | | LCD33 | | SCI3_TX | DCU1_ HSYNC/ DCU1_ TCON1 | |
| D18 | 145 | PTA21 | | PTA21/ MII0_RXCLK | TRACED5 | | | | SAI2_RX_ BCLK | SCI3_RX | DCU1_ VSYNC/ DCU1_ TCON2 | |

| 364 MAP BGA | 176 LQFP | Pin Name | Default | ALT0 | ALT1 | ALT2 | ALT3 | ALT4 | ALT5 | ALT6 | ALT7 | EzPort |
|-------------------|-------------|----------|---------|-------|----------|--------------|-----------------|------------|------------------|------------|-------------------------|--------|
| E17 | 147 | PTA22 | | PTA22 | TRACED6 | | | | SAI2_RX_DATA | I2C2_SCL | DCU1_TAG/ DCU1_TCON0 | |
| C17 | 148 | PTA23 | | PTA23 | TRACED7 | | | | SAI2_RX_SYNC | I2C2_SDA | DCU1_DE/ DCU1_TCON3 | |
| R16 | — | PTA24 | | PTA24 | TRACED8 | USB1_VBUS_EN | | | SDHC1_CLK | DCU1_TCON4 | | |
| R17 | — | PTA25 | | PTA25 | TRACED9 | USB1_VBUS_OC | | | SDHC1_CMD | DCU1_TCON5 | | |
| R19 | — | PTA26 | | PTA26 | TRACED10 | SAI3_TX_BCLK | | | SDHC1_DAT0 | DCU1_TCON6 | | |
| R20 | — | PTA27 | | PTA27 | TRACED11 | SAI3_RX_BCLK | | | SDHC1_DAT1 | DCU1_TCON7 | | |
| P20 | — | PTA28 | | PTA28 | TRACED12 | SAI3_RX_DATA | ENET1_1588_TMR0 | SCI4_TX | SDHC1_DAT2 | DCU1_TCON8 | | |
| P18 | — | PTA29 | | PTA29 | TRACED13 | SAI3_TX_DATA | ENET1_1588_TMR1 | SCI4_RX | SDHC1_DAT3 | DCU1_TCON9 | | |
| P17 | — | PTA30 | | PTA30 | TRACED14 | SAI3_RX_SYNC | ENET1_1588_TMR2 | SCI4_RTS | I2C3_SCL | | SCI3_TX | |
| P16 | — | PTA31 | | PTA31 | TRACED15 | SAI3_TX_SYNC | ENET1_1588_TMR3 | SCI4_CTS | I2C3_SDA | | SCI3_RX | |
| T6 | 49 | PTB0 | | PTB0 | FTM0_CH0 | ADC0_SE2 | TRACECTL | LCD34 | SAI2_RX_BCLK | VIU_DATA18 | QSPI1_A_CS0 | |
| T7 | 50 | PTB1 | RCON30 | PTB1 | FTM0_CH1 | ADC0_SE3 | RCON30 | LCD35 | SAI2_RX_DATA | VIU_DATA19 | QSPI1_A_DATA3 | |
| V7 | 51 | PTB2 | RCON31 | PTB2 | FTM0_CH2 | ADC1_SE2 | RCON31 | LCD36 | SAI2_RX_SYNC | VIU_DATA20 | QSPI1_A_DATA2 | |
| W7 | 53 | PTB3 | | PTB3 | FTM0_CH3 | ADC1_SE3 | EXTRIG | LCD37 | | VIU_DATA21 | QSPI1_A_DATA1 | |
| Y7 | 54 | PTB4 | | PTB4 | FTM0_CH4 | SCI1_TX | ADC0_SE4 | LCD38 | VIU_FID | VIU_DATA22 | QSPI1_A_DATA0 | |
| Y8 | 55 | PTB5 | | PTB5 | FTM0_CH5 | SCI1_RX | ADC1_SE4 | LCD39 | VIU_DE | VIU_DATA23 | QSPI1_A_DQS | |
| W8 | 56 | PTB6 | | PTB6 | FTM0_CH6 | SCI1_RTS | QSPI0_A_CS1 | LCD40 | FB_CLKOUT | VIU_HSYNC | SCI2_TX | |
| D13 | 166 | PTB7 | | PTB7 | FTM0_CH7 | SCI1_CTS | QSPI0_B_CS1 | LCD41 | | VIU_VSYNC | SCI2_RX | |
| J16 | 121 | PTB8 | | PTB8 | FTM1CH0 | | FTM1_QD_PHA | | VIU_DE | | DCU1_R6 | |
| J19 | 123 | PTB9 | | PTB9 | FTM1CH1 | | FTM1_QD_PHB | | | | DCU1_R7 | |
| B15 | 159 | PTB10 | | PTB10 | SCI0_TX | | | DCU0_TCON4 | VIU_DE | CKO1 | ENET_TS_CLKIN | |
| D14 | 164 | PTB11 | | PTB11 | SCI0_RX | | | DCU0_TCON5 | SNVS_ALARM_OUT_B | CKO2 | ENET0_1588_TMR0 | |

Pinouts

| 364 MAP BGA | 176 LQFP | Pin Name | Default | ALT0 | ALT1 | ALT2 | ALT3 | ALT4 | ALT5 | ALT6 | ALT7 | EzPort |
|-------------------|-------------|------------------|---------|-------|------------------------|----------------|-----------|---------------------|------------|------------|-----------------|--------|
| E13 | 165 | PTB12 | NMI | PTB12 | SCIO_RTS | | SPI0_PCS5 | DCU0_TCON6 | FB_AD1 | NMI | ENET0_1588_TMR1 | |
| D15 | 156 | PTB13 | | PTB13 | SCIO_CTS | | SPI0_PCS4 | DCU0_TCON7 | FB_AD0 | TRACECTL | | |
| B14 | 162 | PTB14 | | PTB14 | CAN0_RX | I2C0_SCL | | DCU0_TCON8 | | | DCU1_PCLK | |
| A14 | 161 | PTB15 | | PTB15 | CAN0_TX | I2C0_SDA | | DCU0_TCON9 | | | VIU_PIX_CLK | |
| C14 | 163 | PTB16 | | PTB16 | CAN1_RX | I2C1_SCL | | DCU0_TCON10 | | | | |
| A15 | 160 | PTB17 | | PTB17 | CAN1_TX | I2C1_SDA | | DCU0_TCON11 | | | | |
| B12 | 171 | PTB18 | | PTB18 | SPI0_PCS1 | EXT_AUDIO_MCLK | | | | VIU_DATA9 | CCM_OBS0 | |
| C13 | 167 | PTB19 | | PTB19 | SPI0_PCS0 | | | | | VIU_DATA10 | CCM_OBS1 | |
| A13 | 169 | PTB20 | | PTB20 | SPI0_SIN | | | LCD42 | | VIU_DATA11 | CCM_OBS2 | |
| E12 | 173 | PTB21 | | PTB21 | SPI0_SOUT | | | LCD43 | | VIU_DATA12 | DCU1_PCLK | |
| D12 | 172 | PTB22 | | PTB22 | SPI0_SCK | | | | VIU_FID | | | |
| V10 | 61 | USB0_GND | | | USB0_GND | | | | | | | |
| T10 | 63 | USB0_DP | | | USB0_DP | | | | | | | |
| T9 | 62 | USB0_DM | | | USB0_DM | | | | | | | |
| W11 | 60 | USB0_VBUS | | | USB0_VBUS | | | | | | | |
| Y10 | 59 | USB_DCAP | | | USB_DCAP | | | | | | | |
| Y11 | 64 | USB0_VBUS_DETECT | | | USB0_VBUS_DETECT | | | | | | | |
| Y9 | — | USB1_GND | | | USB1_GND | | | | | | | |
| W9 | — | USB1_DP | | | USB1_DP | | | | | | | |
| V9 | — | USB1_DM | | | USB1_DM | | | | | | | |
| W10 | — | USB1_VBUS | | | USB1_VBUS | | | | | | | |
| U9 | — | USB1_VBUS_DETECT | | | USB1_VBUS_DETECT | | | | | | | |
| L4 | 8 | PTC0 | | PTC0 | RMIIO_MDC/MII0_MDC | FTM1CH0 | SPI0_PCS3 | ESAI_SCKT | SDHC0_CLK | VIU_DATA0 | RCON18 | |
| L5 | 9 | PTC1 | | PTC1 | RMIIO_MDIO/MII0_MDIO | FTM1CH1 | SPI0_PCS2 | ESAI_FST | SDHC0_CMD | VIU_DATA1 | RCON19 | |
| M5 | 11 | PTC2 | | PTC2 | RMIIO_CRS_DV | SCI1_TX | | ESAI_SDO0 | SDHC0_DAT0 | VIU_DATA2 | RCON20 | |
| M3 | 12 | PTC3 | | PTC3 | RMIIO_RXD1/MII0_RXD[1] | SCI1_RX | | ESAI_SDO1 | SDHC0_DAT1 | VIU_DATA3 | DCU0_R0 | |
| L2 | 14 | PTC4 | | PTC4 | RMIIO_RXD0/MII0_RXD[0] | SCI1_RTS | SPI1_PCS1 | ESAI_SDO2/ESAI_SDI3 | SDHC0_DAT2 | VIU_DATA4 | DCU0_R1 | |
| M1 | 15 | PTC5 | | PTC5 | RMIIO_RXER/MII0_RXER | SCI1_CTS | SPI1_PCS0 | ESAI_SDO3/ESAI_SDI2 | SDHC0_DAT3 | VIU_DATA5 | DCU0_G0 | |

| 364 MAP BGA | 176 LQFP | Pin Name | Default | ALT0 | ALT1 | ALT2 | ALT3 | ALT4 | ALT5 | ALT6 | ALT7 | EzPort |
|-------------------|-------------|------------|---------|-------|----------------------------|------|-------------------------|-------------------------|------------------|--------------------|---------|--------|
| N1 | 16 | PTC6 | | PTC6 | RMII0_TXD1/ MII0_TXD[1] | | SPI1_SIN | ESAI_SDO5/ ESAI_SDI0 | SDHC0_WP | VIU_DATA6 | DCU0_G1 | |
| N2 | 17 | PTC7 | | PTC7 | RMII0_TXD0/ MII0_TXD[0] | | SPI1_SOUT | ESAI_SDO4/ ESAI_SDI1 | | VIU_DATA7 | DCU0_B0 | |
| N4 | 18 | PTC8 | | PTC8 | RMII0_TXEN/ MII0_TXEN | | SPI1_SCK | | | VIU_DATA8 | DCU0_B1 | |
| T15 | — | PTC9 | | PTC9 | RMII1_MDC | | ESAI_SCKT | | | MLBCLK | | |
| U15 | — | PTC10 | | PTC10 | RMII1_MDIO | | ESAI_FST | | | MLBSIGNAL | | |
| P4 | — | PTC11 | | PTC11 | RMII1_CRS_ DV | | ESAI_SDO0 | | | MLBDATA | | |
| P3 | — | PTC12 | | PTC12 | RMII1_RXD1 | | ESAI_SDO1 | | SAI2_TX_ BCLK | | | |
| P1 | — | PTC13 | | PTC13 | RMII1_RXD0 | | ESAI_SDO2/ ESAI_SDI3 | | SAI2_RX_ BCLK | | | |
| R1 | — | PTC14 | | PTC14 | RMII1_RXER | | ESAI_SDO3/ ESAI_SDI2 | SCI5_TX | SAI2_RX_ DATA | ADC0_SE6 | | |
| P2 | — | PTC15 | | PTC15 | RMII1_TXD1 | | ESAI_SDO5/ ESAI_SDI0 | SCI5_RX | SAI2_TX_ DATA | ADC0_SE7 | | |
| R3 | — | PTC16 | | PTC16 | RMII1_TXD0 | | ESAI_SDO4/ ESAI_SDI1 | SCI5_RTS | SAI2_RX_ SYNC | ADC1_SE6 | | |
| R4 | — | PTC17 | | PTC17 | RMII1_TXEN | | ADC1_SE7 | SCI5_CTS | SAI2_TX_ SYNC | USB1_SOF_ PULSE | | |
| B10 | — | DDR_A[15] | | | DDR_A15 | | | | | | | |
| D9 | — | DDR_A[14] | | | DDR_A14 | | | | | | | |
| A10 | — | DDR_A[13] | | | DDR_A13 | | | | | | | |
| C10 | — | DDR_A[12] | | | DDR_A12 | | | | | | | |
| D10 | — | DDR_A[11] | | | DDR_A11 | | | | | | | |
| D7 | — | DDR_A[10] | | | DDR_A10 | | | | | | | |
| B9 | — | DDR_A[9] | | | DDR_A9 | | | | | | | |
| A11 | — | DDR_A[8] | | | DDR_A8 | | | | | | | |
| A7 | — | DDR_A[7] | | | DDR_A7 | | | | | | | |
| A9 | — | DDR_A[6] | | | DDR_A6 | | | | | | | |
| B6 | — | DDR_A[5] | | | DDR_A5 | | | | | | | |
| A6 | — | DDR_A[4] | | | DDR_A4 | | | | | | | |
| B7 | — | DDR_A[3] | | | DDR_A3 | | | | | | | |
| A8 | — | DDR_A[2] | | | DDR_A2 | | | | | | | |
| C11 | — | DDR_A[1] | | | DDR_A1 | | | | | | | |
| C7 | — | DDR_A[0] | | | DDR_A0 | | | | | | | |
| D8 | — | DDR_BA[2] | | | DDR_BA2 | | | | | | | |
| C9 | — | DDR_BA[1] | | | DDR_BA1 | | | | | | | |
| C8 | — | DDR_BA[0] | | | DDR_BA0 | | | | | | | |
| B4 | — | DDR_CAS_b | | | DDR_CAS_b | | | | | | | |
| A5 | — | DDR_CKE[0] | | | DDR_CKE0 | | | | | | | |

Pinouts

| 364 MAP BGA | 176 LQFP | Pin Name | Default | ALT0 | ALT1 | ALT2 | ALT3 | ALT4 | ALT5 | ALT6 | ALT7 | EzPort |
|-------------------|-------------|--------------|---------|-------|------------|---------|----------|----------|-----------|------|------|--------|
| A2 | — | DDR_CLK[0] | | | DDR_CLK0 | | | | | | | |
| B2 | — | DDR_CLK_b[0] | | | DDR_CLK_b0 | | | | | | | |
| C5 | — | DDR_CS_b[0] | | | DDR_CS_b0 | | | | | | | |
| D2 | — | DDR_D[15] | | | DDR_D15 | | | | | | | |
| H2 | — | DDR_D[14] | | | DDR_D14 | | | | | | | |
| C1 | — | DDR_D[13] | | | DDR_D13 | | | | | | | |
| G1 | — | DDR_D[12] | | | DDR_D12 | | | | | | | |
| E2 | — | DDR_D[11] | | | DDR_D11 | | | | | | | |
| H1 | — | DDR_D[10] | | | DDR_D10 | | | | | | | |
| D1 | — | DDR_D[9] | | | DDR_D9 | | | | | | | |
| J1 | — | DDR_D[8] | | | DDR_D8 | | | | | | | |
| G3 | — | DDR_D[7] | | | DDR_D7 | | | | | | | |
| C3 | — | DDR_D[6] | | | DDR_D6 | | | | | | | |
| J3 | — | DDR_D[5] | | | DDR_D5 | | | | | | | |
| F3 | — | DDR_D[4] | | | DDR_D4 | | | | | | | |
| G4 | — | DDR_D[3] | | | DDR_D3 | | | | | | | |
| D4 | — | DDR_D[2] | | | DDR_D2 | | | | | | | |
| H3 | — | DDR_D[1] | | | DDR_D1 | | | | | | | |
| F4 | — | DDR_D[0] | | | DDR_D0 | | | | | | | |
| G2 | — | DDR_DQM[1] | | | DDR_DQM1 | | | | | | | |
| J4 | — | DDR_DQM[0] | | | DDR_DQM0 | | | | | | | |
| E1 | — | DDR_DQS[1] | | | DDR_DQS1 | | | | | | | |
| D3 | — | DDR_DQS[0] | | | DDR_DQS0 | | | | | | | |
| F1 | — | DDR_DQS_b[1] | | | DDR_DQS_b1 | | | | | | | |
| E3 | — | DDR_DQS_b[0] | | | DDR_DQS_b0 | | | | | | | |
| A4 | — | DDR_RAS_b | | | DDR_RAS_b | | | | | | | |
| C6 | — | DDR_WE_b | | | DDR_WE_b | | | | | | | |
| C4 | — | DDR_ODT[0] | | | DDR_ODT0 | | | | | | | |
| B1 | — | DDR_ODT[1] | | | DDR_ODT1 | | | | | | | |
| G5 | — | DDR_VREF | | | DDR_VREF | | | | | | | |
| A3 | — | DDR_ZQ | | | DDR_ZQ | | | | | | | |
| D6 | — | DDR_RESET | | | DDR_RESET | | | | | | | |
| J20 | — | PTD31 | | PTD31 | FB_AD31 | NF_IO15 | | FTM3_CH0 | SPI2_PCS1 | | | |
| H20 | — | PTD30 | | PTD30 | FB_AD30 | NF_IO14 | | FTM3_CH1 | SPI2_PCS0 | | | |
| H18 | — | PTD29 | | PTD29 | FB_AD29 | NF_IO13 | | FTM3_CH2 | SPI2_SIN | | | |
| H17 | — | PTD28 | | PTD28 | FB_AD28 | NF_IO12 | I2C2_SCL | FTM3_CH3 | SPI2_SOUT | | | |
| H16 | — | PTD27 | | PTD27 | FB_AD27 | NF_IO11 | I2C2_SDA | FTM3_CH4 | SPI2_SCK | | | |

| 364 MAP BGA | 176 LQFP | Pin Name | Default | ALT0 | ALT1 | ALT2 | ALT3 | ALT4 | ALT5 | ALT6 | ALT7 | EzPort |
|-------------------|-------------|----------|---------|------------------------------|-------------------|-----------|-----------|---------------------|------------------|--------------------|---------|--------|
| G16 | — | PTD26 | | PTD26 | FB_AD26 | NF_IO10 | | FTM3_CH5 | SDHC1_WP | | | |
| G18 | — | PTD25 | | PTD25 | FB_AD25 | NF_IO9 | | FTM3_CH6 | | | | |
| G19 | — | PTD24 | | PTD24 | FB_AD24 | NF_IO8 | | FTM3_CH7 | | | | |
| G20 | 124 | PTD23 | | PTD23/ MII0_ RXDATA[3] | FB_AD23 | NF_IO7 | FTM2CH0 | ENET0_ 1588_TMR0 | SDHC0_ DAT4 | SCI2_TX | DCU1_R3 | |
| F20 | 126 | PTD22 | | PTD22/ MII0_ RXDATA[2] | FB_AD22 | NF_IO6 | FTM2CH1 | ENET0_ 1588_TMR1 | SDHC0_ DAT5 | SCI2_RX | DCU1_R4 | |
| F19 | 128 | PTD21 | | PTD21/ MII0_CRS | FB_AD21 | NF_IO5 | | ENET0_ 1588_TMR2 | SDHC0_ DAT6 | SCI2_RTS | DCU1_R5 | |
| F17 | 129 | PTD20 | | PTD20/ MII0_COL | FB_AD20 | NF_IO4 | | ENET0_ 1588_TMR3 | SDHC0_ DAT7 | SCI2_CTS | DCU1_R0 | |
| F16 | 130 | PTD19 | | PTD19 | FB_AD19 | NF_IO3 | ESAI_SCKR | I2C0_SCL | FTM2_QD_ PHA | MII0_ TXDATA[3] | DCU1_R1 | |
| E18 | 131 | PTD18 | | PTD18 | FB_AD18 | NF_IO2 | ESAI_FSR | I2C0_SDA | FTM2_QD_ PHB | MII0_ TXDATA[2] | DCU1_G0 | |
| E20 | 132 | PTD17 | | PTD17 | FB_AD17 | NF_IO1 | ESAI_HCKR | I2C1_SCL | | MII0_TXERR | DCU1_G1 | |
| D20 | 133 | PTD16 | | PTD16 | FB_AD16 | NF_IO0 | ESAI_HCKT | I2C1_SDA | | | DCU1_G2 | |
| Y17 | 86 | PTD0 | | PTD0 | QSPI0_A_ SCK | SCI2_TX | | FB_AD15 | SPDIF_ EXTCLK | | | |
| Y18 | 87 | PTD1 | | PTD1 | QSPI0_A_ CS0 | SCI2_RX | | FB_AD14 | SPDIF_IN1 | | | |
| V18 | 88 | PTD2 | | PTD2 | QSPI0_A_ DATA3 | SCI2_RTS | SPI1_PCS3 | FB_AD13 | SPDIF_OUT1 | | | |
| Y19 | 89 | PTD3 | | PTD3 | QSPI0_A_ DATA2 | SCI2_CTS | SPI1_PCS2 | FB_AD12 | SPDIF_ PLOCK | | | |
| W19 | 90 | PTD4 | | PTD4 | QSPI0_A_ DATA1 | | SPI1_PCS1 | FB_AD11 | SPDIF_ SRCLK | | | |
| W20 | 91 | PTD5 | | PTD5 | QSPI0_A_ DATA0 | | SPI1_PCS0 | FB_AD10 | | | | |
| V20 | 92 | PTD6 | | PTD6 | QSPI0_A_ DQS | | SPI1_SIN | FB_AD9 | | | | |
| V19 | 93 | PTD7 | | PTD7 | QSPI0_B_ SCK | | SPI1_SOUT | FB_AD8 | | | | |
| U17 | 94 | PTD8 | | PTD8 | QSPI0_B_ CS0 | FB_CLKOUT | SPI1_SCK | FB_AD7 | | | | |
| U18 | 97 | PTD9 | | PTD9 | QSPI0_B_ DATA3 | SPI3_PCS1 | | FB_AD6 | | SAI1_TX_ SYNC | DCU1_B0 | |
| U20 | 98 | PTD10 | | PTD10 | QSPI0_B_ DATA2 | SPI3_PCS0 | | FB_AD5 | | | DCU1_B1 | |
| T20 | 99 | PTD11 | | PTD11 | QSPI0_B_ DATA1 | SPI3_SIN | | FB_AD4 | | | | |
| T19 | 100 | PTD12 | | PTD12 | QSPI0_B_ DATA0 | SPI3_SOUT | | FB_AD3 | | | | |
| T18 | 101 | PTD13 | | PTD13 | QSPI0_B_ DQS | SPI3_SCK | | FB_AD2 | | | | |

Pinouts

| 364 MAP BGA | 176 LQFP | Pin Name | Default | ALT0 | ALT1 | ALT2 | ALT3 | ALT4 | ALT5 | ALT6 | ALT7 | EzPort |
|-------------------|-------------|----------|----------|-------|---------------------------|-----------|--------|----------------|-----------------|----------|----------|--------|
| A19 | 141 | PTB23 | | PTB23 | SAI0_TX_BCLK | SCI1_TX | | FB_MUXED_ALE | FB_TS_b | SCI3_RTS | DCU1_G3 | |
| A18 | 142 | PTB24 | | PTB24 | SAI0_RX_BCLK | SCI1_RX | | FB_MUXED_TSIZ0 | NF_WE_b | SCI3_CTS | DCU1_G4 | |
| B17 | 149 | PTB25 | | PTB25 | SAI0_RX_DATA | SCI1_RTS | | FB_CS1_b | NF_CE0_b | | DCU1_G5 | |
| A17 | 150 | PTB26 | RCON21 | PTB26 | SAI0_TX_DATA | SCI1_CTS | RCON21 | FB_CS0_b | NF_CE1_b | | DCU1_G6 | |
| U8 | 57 | PTB27 | RCON22 | PTB27 | SAI0_RX_SYNC | | RCON22 | FB_OE_b | FB_MUXED_TBST_b | NF_RE_b | DCU1_G7 | |
| A16 | 151 | PTB28 | RCON23 | PTB28 | SAI0_TX_SYNC | | RCON23 | FB_RW_b | | | DCU1_B6 | |
| D16 | 153 | PTC26 | RCON24 | PTC26 | SAI1_TX_BCLK | SPI0_PCS5 | RCON24 | FB_TA_b | NF_RB_b | | DCU1_B7 | |
| E16 | 154 | PTC27 | RCON25 | PTC27 | SAI1_RX_BCLK | SPI0_PCS4 | RCON25 | FB_BE3_b | FB_CS3_b | NF_ALE | DCU1_B2 | |
| E15 | 155 | PTC28 | RCON26 | PTC28 | SAI1_RX_DATA | SPI0_PCS3 | RCON26 | FB_BE2_b | FB_CS2_b | NF_CLE | DCU1_B3 | |
| C16 | 152 | PTC29 | RCON27 | PTC29 | SAI1_TX_DATA | SPI0_PCS2 | RCON27 | FB_BE1_b | FB_MUXED_TSIZ1 | | DCU1_B4 | |
| T8 | 58 | PTC30 | RCON28 | PTC30 | SAI1_RX_SYNC | SPI1_PCS2 | RCON28 | FB_MUXED_BE0_b | FB_TSIZ0 | ADC0_SE5 | DCU1_B5 | |
| W5 | 42 | PTC31 | RCON29 | PTC31 | SAI1_TX_SYNC | | RCON29 | | | ADC1_SE5 | DCU1_B6 | |
| N16 | 103 | PTE0 | BOOTMOD1 | PTE0 | DCU0_HSYNC/ DCU0_TCON1 | BOOTMOD1 | | LCD0 | | | | |
| N18 | 104 | PTE1 | BOOTMOD0 | PTE1 | DCU0_VSYNC/ DCU0_TCON2 | BOOTMOD0 | | LCD1 | | | | |
| N19 | 105 | PTE2 | | PTE2 | DCU0_PCLK | | | LCD2 | | | | |
| Y15 | 77 | PTE3 | | PTE3 | DCU0_TAG/ DCU0_TCON0 | | | LCD3 | | | | |
| N20 | 106 | PTE4 | | PTE4 | DCU0_DE/ DCU0_TCON3 | | | LCD4 | | | | |
| T16 | 80 | PTE5 | | PTE5 | DCU0_R0 | | | LCD5 | | | | |
| W16 | 81 | PTE6 | | PTE6 | DCU0_R1 | | | LCD6 | | | | |
| M20 | 109 | PTE7 | RCON0 | PTE7 | DCU0_R2 | | RCON0 | LCD7 | | | | |
| M19 | 110 | PTE8 | RCON1 | PTE8 | DCU0_R3 | | RCON1 | LCD8 | | | | |
| M17 | 111 | PTE9 | RCON2 | PTE9 | DCU0_R4 | | RCON2 | LCD9 | | | | |
| M16 | 112 | PTE10 | RCON3 | PTE10 | DCU0_R5 | | RCON3 | LCD10 | | | | |
| L16 | 113 | PTE11 | RCON4 | PTE11 | DCU0_R6 | | RCON4 | LCD11 | | | | |
| L17 | 114 | PTE12 | RCON5 | PTE12 | DCU0_R7 | SPI1_PCS3 | RCON5 | LCD12 | | | LPT_ALT0 | |

| 364 MAP BGA | 176 LQFP | Pin Name | Default | ALT0 | ALT1 | ALT2 | ALT3 | ALT4 | ALT5 | ALT6 | ALT7 | EzPort |
|-------------------|-------------|------------------------------------|---------|-------|------------------------------------|------|--------|-------|----------|------|---------|--------|
| Y16 | 78 | PTE13 | | PTE13 | DCU0_G0 | | | LCD13 | | | | |
| W15 | 76 | PTE14 | | PTE14 | DCU0_G1 | | | LCD14 | | | | |
| L18 | 115 | PTE15 | RCON6 | PTE15 | DCU0_G2 | | RCON6 | LCD15 | | | | |
| L20 | 116 | PTE16 | RCON7 | PTE16 | DCU0_G3 | | RCON7 | LCD16 | | | | |
| K20 | 117 | PTE17 | RCON8 | PTE17 | DCU0_G4 | | RCON8 | LCD17 | | | | |
| K19 | 118 | PTE18 | RCON9 | PTE18 | DCU0_G5 | | RCON9 | LCD18 | | | | |
| K18 | 119 | PTE19 | RCON10 | PTE19 | DCU0_G6 | | RCON10 | LCD19 | I2C0_SCL | | | |
| A12 | 170 | PTE20 | RCON11 | PTE20 | DCU0_G7 | | RCON11 | LCD20 | I2C0_SDA | | EWM_in | |
| V16 | 79 | PTE21 | | PTE21 | DCU0_B0 | | | LCD21 | | | | |
| W17 | 84 | PTE22 | | PTE22 | DCU0_B1 | | | LCD22 | | | | |
| J17 | 122 | PTE23 | RCON12 | PTE23 | DCU0_B2 | | RCON12 | LCD23 | | | | |
| D19 | 134 | PTE24 | RCON13 | PTE24 | DCU0_B3 | | RCON13 | LCD24 | | | | |
| C19 | 135 | PTE25 | RCON14 | PTE25 | DCU0_B4 | | RCON14 | LCD25 | | | | |
| C20 | 137 | PTE26 | RCON15 | PTE26 | DCU0_B5 | | RCON15 | LCD26 | | | | |
| B20 | 138 | PTE27 | RCON16 | PTE27 | DCU0_B6 | | RCON16 | LCD27 | I2C1_SCL | | | |
| K16 | 120 | PTE28 | RCON17 | PTE28 | DCU0_B7 | | RCON17 | LCD28 | I2C1_SDA | | EWM_out | |
| V15 | 75 | PTA7 | | PTA7 | VIU_PIX_CLK | | | | | | | |
| T14 | — | EXT_TAMPER0 | | | EXT_TAMPER0 | | | | | | | |
| U14 | — | EXT_TAMPER1 | | | EXT_TAMPER1 | | | | | | | |
| T13 | — | EXT_TAMPER2/ EXT_WM0_TAMPER_IN | | | EXT_TAMPER2/ EXT_WM0_TAMPER_IN | | | | | | | |
| U13 | — | EXT_TAMPER3/ EXT_WM0_TAMPER_OUT | | | EXT_TAMPER3/ EXT_WM0_TAMPER_OUT | | | | | | | |
| U12 | — | EXT_TAMPER4/ EXT_WM1_TAMPER_IN | | | EXT_TAMPER4/ EXT_WM1_TAMPER_IN | | | | | | | |
| U10 | — | EXT_TAMPER5/ EXT_WM1_TAMPER_OUT | | | EXT_TAMPER5/ EXT_WM1_TAMPER_OUT | | | | | | | |
| G7 | 2 | VDD | | | VDD | | | | | | | |
| J7 | 22 | VDD | | | VDD | | | | | | | |
| L7 | 48 | VDD | | | VDD | | | | | | | |
| H8 | — | VDD | | | VDD | | | | | | | |
| K8 | 85 | VDD | | | VDD | | | | | | | |

Pinouts

| 364 MAP BGA | 176 LQFP | Pin Name | Default | ALT0 | ALT1 | ALT2 | ALT3 | ALT4 | ALT5 | ALT6 | ALT7 | EzPort |
|-------------------|-------------|----------|---------|------|------|------|------|------|------|------|------|--------|
| M8 | 102 | VDD | | | VDD | | | | | | | |
| P8 | 125 | VDD | | | VDD | | | | | | | |
| G9 | 136 | VDD | | | VDD | | | | | | | |
| N9 | 174 | VDD | | | VDD | | | | | | | |
| H10 | — | VDD | | | VDD | | | | | | | |
| P10 | — | VDD | | | VDD | | | | | | | |
| G11 | — | VDD | | | VDD | | | | | | | |
| N11 | — | VDD | | | VDD | | | | | | | |
| H12 | — | VDD | | | VDD | | | | | | | |
| P12 | — | VDD | | | VDD | | | | | | | |
| G13 | — | VDD | | | VDD | | | | | | | |
| J13 | — | VDD | | | VDD | | | | | | | |
| L13 | — | VDD | | | VDD | | | | | | | |
| N13 | — | VDD | | | VDD | | | | | | | |
| H14 | — | VDD | | | VDD | | | | | | | |
| K14 | — | VDD | | | VDD | | | | | | | |
| M14 | — | VDD | | | VDD | | | | | | | |
| P14 | — | VDD | | | VDD | | | | | | | |
| A1 | 1 | VSS | | | VSS | | | | | | | |
| A20 | 13 | VSS | | | VSS | | | | | | | |
| B3 | 20 | VSS | | | VSS | | | | | | | |
| B5 | 25 | VSS | | | VSS | | | | | | | |
| B8 | 45 | VSS | | | VSS | | | | | | | |
| B11 | — | VSS | | | VSS | | | | | | | |
| B13 | — | VSS | | | VSS | | | | | | | |
| B16 | — | VSS | | | VSS | | | | | | | |
| B19 | — | VSS | | | VSS | | | | | | | |
| C2 | — | VSS | | | VSS | | | | | | | |
| D17 | — | VSS | | | VSS | | | | | | | |
| E5 | — | VSS | | | VSS | | | | | | | |
| E8 | — | VSS | | | VSS | | | | | | | |
| E11 | — | VSS | | | VSS | | | | | | | |
| E14 | — | VSS | | | VSS | | | | | | | |
| E19 | — | VSS | | | VSS | | | | | | | |
| F2 | — | VSS | | | VSS | | | | | | | |
| G17 | — | VSS | | | VSS | | | | | | | |
| H4 | — | VSS | | | VSS | | | | | | | |
| J2 | — | VSS | | | VSS | | | | | | | |
| J18 | — | VSS | | | VSS | | | | | | | |
| M2 | — | VSS | | | VSS | | | | | | | |

| 364 MAP BGA | 176 LQFP | Pin Name | Default | ALT0 | ALT1 | ALT2 | ALT3 | ALT4 | ALT5 | ALT6 | ALT7 | EzPort |
|-------------------|-------------|-------------------|---------|------|-------------------|------|------|------|------|------|------|--------|
| M4 | — | VSS | | | VSS | | | | | | | |
| M18 | — | VSS | | | VSS | | | | | | | |
| R2 | — | VSS | | | VSS | | | | | | | |
| R18 | — | VSS | | | VSS | | | | | | | |
| U7 | — | VSS | | | VSS | | | | | | | |
| U19 | — | VSS | | | VSS | | | | | | | |
| V13 | — | VSS | | | VSS | | | | | | | |
| W6 | — | VSS | | | VSS | | | | | | | |
| V17 | — | VSS | | | VSS | | | | | | | |
| Y1 | — | VSS | | | VSS | | | | | | | |
| Y20 | — | VSS | | | VSS | | | | | | | |
| H19 | — | VSS | | | VSS | | | | | | | |
| L19 | — | VSS | | | VSS | | | | | | | |
| P19 | — | VSS | | | VSS | | | | | | | |
| J5 | — | SDRAMC_ VDD2P5 | | | SDRAMC_ VDD2P5 | | | | | | | |
| E6 | — | SDRAMC_ VDD2P5 | | | SDRAMC_ VDD2P5 | | | | | | | |
| E10 | — | SDRAMC_ VDD2P5 | | | SDRAMC_ VDD2P5 | | | | | | | |
| E4 | — | SDRAMC_ VDD1P5 | | | SDRAMC_ VDD1P5 | | | | | | | |
| D5 | — | SDRAMC_ VDD1P5 | | | SDRAMC_ VDD1P5 | | | | | | | |
| F5 | — | SDRAMC_ VDD1P5 | | | SDRAMC_ VDD1P5 | | | | | | | |
| H5 | — | SDRAMC_ VDD1P5 | | | SDRAMC_ VDD1P5 | | | | | | | |
| K5 | — | SDRAMC_ VDD1P5 | | | SDRAMC_ VDD1P5 | | | | | | | |
| E7 | — | SDRAMC_ VDD1P5 | | | SDRAMC_ VDD1P5 | | | | | | | |
| E9 | — | SDRAMC_ VDD1P5 | | | SDRAMC_ VDD1P5 | | | | | | | |
| D11 | — | SDRAMC_ VDD1P5 | | | SDRAMC_ VDD1P5 | | | | | | | |
| K3 | 10 | VDD33 | | | VDD33 | | | | | | | |
| N3 | 21 | VDD33 | | | VDD33 | | | | | | | |
| V8 | 52 | VDD33 | | | VDD33 | | | | | | | |
| C12 | — | VDD33 | | | VDD33 | | | | | | | |
| C15 | 83 | VDD33 | | | VDD33 | | | | | | | |
| U16 | 95 | VDD33 | | | VDD33 | | | | | | | |
| K17 | 108 | VDD33 | | | VDD33 | | | | | | | |

Pinouts

| 364 MAP BGA | 176 LQFP | Pin Name | Default | ALT0 | ALT1 | ALT2 | ALT3 | ALT4 | ALT5 | ALT6 | ALT7 | EzPort |
|-------------------|-------------|----------|---------|------|-------|------|------|------|------|------|------|--------|
| N17 | 127 | VDD33 | | | VDD33 | | | | | | | |
| T17 | 140 | VDD33 | | | VDD33 | | | | | | | |
| C18 | 146 | VDD33 | | | VDD33 | | | | | | | |
| F18 | 158 | VDD33 | | | VDD33 | | | | | | | |
| W18 | 168 | VDD33 | | | VDD33 | | | | | | | |
| H7 | — | VSS | | | VSS | | | | | | | |
| K7 | 74 | VSS | | | VSS | | | | | | | |
| M7 | 82 | VSS | | | VSS | | | | | | | |
| P7 | 96 | VSS | | | VSS | | | | | | | |
| G8 | 107 | VSS | | | VSS | | | | | | | |
| J8 | — | VSS | | | VSS | | | | | | | |
| L8 | 139 | VSS | | | VSS | | | | | | | |
| N8 | — | VSS | | | VSS | | | | | | | |
| H9 | 157 | VSS | | | VSS | | | | | | | |
| J9 | 175 | VSS | | | VSS | | | | | | | |
| K9 | 176 | VSS | | | VSS | | | | | | | |
| L9 | — | VSS | | | VSS | | | | | | | |
| M9 | — | VSS | | | VSS | | | | | | | |
| P9 | — | VSS | | | VSS | | | | | | | |
| G10 | — | VSS | | | VSS | | | | | | | |
| J10 | — | VSS | | | VSS | | | | | | | |
| K10 | — | VSS | | | VSS | | | | | | | |
| L10 | — | VSS | | | VSS | | | | | | | |
| M10 | — | VSS | | | VSS | | | | | | | |
| N10 | — | VSS | | | VSS | | | | | | | |
| H11 | — | VSS | | | VSS | | | | | | | |
| J11 | — | VSS | | | VSS | | | | | | | |
| K11 | — | VSS | | | VSS | | | | | | | |
| L11 | — | VSS | | | VSS | | | | | | | |
| M11 | — | VSS | | | VSS | | | | | | | |
| P11 | — | VSS | | | VSS | | | | | | | |
| G12 | — | VSS | | | VSS | | | | | | | |
| J12 | — | VSS | | | VSS | | | | | | | |
| K12 | — | VSS | | | VSS | | | | | | | |
| L12 | — | VSS | | | VSS | | | | | | | |
| M12 | — | VSS | | | VSS | | | | | | | |
| N12 | — | VSS | | | VSS | | | | | | | |
| H13 | — | VSS | | | VSS | | | | | | | |
| K13 | — | VSS | | | VSS | | | | | | | |
| M13 | — | VSS | | | VSS | | | | | | | |

| 364 MAP BGA | 176 LQFP | Pin Name | Default | ALT0 | ALT1 | ALT2 | ALT3 | ALT4 | ALT5 | ALT6 | ALT7 | EzPort |
|-------------------|-------------|----------|---------|------|--------|------|------|------|------|------|------|--------|
| P13 | — | VSS | | | VSS | | | | | | | |
| G14 | — | VSS | | | VSS | | | | | | | |
| J14 | — | VSS | | | VSS | | | | | | | |
| L14 | — | VSS | | | VSS | | | | | | | |
| N14 | — | VSS | | | VSS | | | | | | | |
| N7 | — | FA_VDD | | | FA_VDD | | | | | | | |
| V14 | — | VBAT | | | VBAT | | | | | | | |
| — | FLG | VSS | | | VSS | | | | | | | |

12.2 Pinout diagrams

NOTE

The 176 LQFP parts are not pin compatible between the F and R series families devices.

NOTE

If tamper detection is not required, the tamper pins must be tied to ground.

Pinouts



Figure 59. 176 LQFP Pinout Diagram

| | | | | | | | | | | | | | | | | | | | | | |
|---|--------------|--------------|--------------|------------------|------------------|---------------|---------------|-----------|------------------|--------------------------------|-------------------|-------------------------------|--------------------------------|-------------|-------|-------|-------|-------|-------|-------|---|
| | 1 | 2 | 3 | 4 | 5 | 6 | 7 | 8 | 9 | 10 | 11 | 12 | 13 | 14 | 15 | 16 | 17 | 18 | 19 | 20 | |
| A | VSS | DDR_CLK[0] | DDR_ZO | DDR_RAS_b | DDR_CKE[0] | DDR_A[4] | DDR_A[7] | DDR_A[2] | DDR_A[6] | DDR_A[13] | DDR_A[8] | PTB20 | PTB20 | PTB15 | PTB17 | PTB28 | PTB26 | PTB24 | PTB23 | VSS | A |
| B | DDR_ODT[1] | DDR_CLK_b[0] | VSS | DDR_CAS_b | VSS | DDR_A[5] | DDR_A[3] | VSS | DDR_A[9] | DDR_A[15] | VSS | PTB18 | VSS | PTB14 | PTB10 | VSS | PTB25 | PTA20 | VSS | PTE27 | B |
| C | DDR_D[13] | VSS | DDR_D[6] | DDR_ODT[0] | DDR_CS_b[0] | DDR_WE_b | DDR_A[0] | DDR_BA[0] | DDR_BA[1] | DDR_A[12] | DDR_A[1] | VDD33 | PTB19 | PTB16 | VDD33 | PTC29 | PTA23 | VDD33 | PTE25 | PTE26 | C |
| D | DDR_D[9] | DDR_D[15] | DDR_DOS[0] | DDR_D[2] | SDRAMC_VDD1P5 | DDR_RESET | DDR_A[10] | DDR_BA[2] | DDR_A[14] | DDR_A[11] | SDRAMC_VDD1P5 | PTB22 | PTB7 | PTB11 | PTB13 | PTC26 | VSS | PTA21 | PTE24 | PTD16 | D |
| E | DDR_DQS[1] | DDR_D[11] | DDR_DOS_b[0] | SDRAMC_VDD1P5 | VSS | SDRAMC_VDD2P5 | SDRAMC_VDD1P5 | VSS | SDRAMC_VDD1P5 | SDRAMC_VDD2P5 | VSS | PTB21 | PTB12 | VSS | PTC28 | PTC27 | PTA22 | PTD18 | VSS | PTD17 | E |
| F | DDR_DQS_b[1] | VSS | DDR_D[4] | DDR_D[0] | SDRAMC_VDD1P5 | | | | | | | | | | | PTD19 | PTD20 | VDD33 | PTD21 | PTD22 | F |
| G | DDR_D[12] | DDR_DQM[1] | DDR_D[7] | DDR_D[3] | DDR_VREF | | VDD | VSS | VDD | VSS | VDD | VSS | VDD | VSS | | PTD26 | VSS | PTD25 | PTD24 | PTD23 | G |
| H | DDR_D[10] | DDR_D[14] | DDR_D[1] | VSS | SDRAMC_VDD1P5 | | VSS | VDD | VSS | VDD | VSS | VDD | VSS | VDD | | PTD27 | PTD28 | PTD29 | VSS | PTD30 | H |
| J | DDR_D[8] | VSS | DDR_D[5] | DDR_DQM[0] | SDRAMC_VDD2P5 | | VDD | VSS | VSS | VSS | VSS | VSS | VDD | VSS | | PTB8 | PTE23 | VSS | PTB9 | PTD31 | J |
| K | JTDO | JTDI | VDD33 | JTCLK/SWCLK | SDRAMC_VDD1P5 | | VSS | VDD | VSS | VSS | VSS | VSS | VSS | VDD | | PTE28 | VDD33 | PTE19 | PTE18 | PTE17 | K |
| L | JTMS/SWDIO | PTC4 | PTA12 | PTC0 | PTC1 | | VDD | VSS | VSS | VSS | VSS | VSS | VDD | VSS | | PTE11 | PTE12 | PTE15 | VSS | PTE16 | L |
| M | PTC5 | VSS | PTC3 | VSS | PTC2 | | VSS | VDD | VSS | VSS | VSS | VSS | VSS | VDD | | PTE10 | PTE9 | VSS | PTE8 | PTE7 | M |
| N | PTC6 | PTC7 | VDD33 | PTC8 | PTA6 | | FA_VDD | VSS | VDD | VSS | VDD | VSS | VDD | VSS | | PTE0 | VDD33 | PTE1 | PTE2 | PTE4 | N |
| P | PTC13 | PTC15 | PTC12 | PTC11 | VDDREG | | VSS | VDD | VSS | VDD | VSS | VDD | VSS | VDD | | PTA31 | PTA30 | PTA29 | VSS | PTA28 | P |
| R | PTC14 | VSS | PTC16 | PTC17 | VSS12_AFE | | | | | | | | | | | PTA24 | PTA25 | VSS | PTA26 | PTA27 | R |
| T | TEST2 | BCTRL | TEST | RESETB/RESET_OUT | VDD12_AFE | PTB0 | PTB1 | PTC30 | USB0_DM | USB0_DP | DECAP_V25_LDO_OUT | VDD33_LDOIN | EXT_TAMPER2/EXT_WM1_TAMPER_IN | EXT_TAMPER0 | PTC9 | PTE5 | VDD33 | PTD13 | PTD12 | PTD11 | T |
| U | DAC00 | DAC01 | VREFL_ADC | VADCSE1 | VADC_AFE_BANDGAP | PTA19 | VSS | PTB27 | USB1_VBUS_DETECT | EXT_TAMPERS/EXT_WM1_TAMPER_OUT | VSS_KEL0 | EXT_TAMPER1/EXT_WM1_TAMPER_IN | EXT_TAMPERS/EXT_WM2_TAMPER_OUT | EXT_TAMPER1 | PTC10 | VDD33 | PTD8 | PTD9 | VSS | PTD10 | U |
| V | VDDA33_ADC | VSSA33_ADC | VDDA33_AFE | VSSA33_AFE | VADCSE3 | PTA18 | PTB2 | VDD33 | USB1_DM | USB0_GND | VSS | DECAP_V11_LDO_OUT | VSS | VBAT | PTA7 | PTE21 | VSS | PTD2 | PTD7 | PTD6 | V |
| W | VREFH_ADC | ADC0SE9 | ADC1SE8 | VADCSE2 | PTC31 | VSS | PTB3 | PTB6 | USB1_DP | USB1_VBUS | USB0_VBUS | XTAL32 | XTAL | LVDS0P | PTE14 | PTE6 | PTE22 | VDD33 | PTD4 | PTD5 | W |
| Y | VSS | ADC0SE8 | ADC1SE9 | VADCSE0 | PTA16 | PTA17 | PTB4 | PTB5 | USB1_GND | USB_DCAP | USB0_VBUS_DETECT | EXTAL32 | EXTAL | LVDS0N | PTE3 | PTE13 | PTD0 | PTD1 | PTD3 | VSS | Y |
| | 1 | 2 | 3 | 4 | 5 | 6 | 7 | 8 | 9 | 10 | 11 | 12 | 13 | 14 | 15 | 16 | 17 | 18 | 19 | 20 | |

Figure 60. 364-pin BGA package ballmap

12.2.1 GPIO Mapping

Table 78. RGPIO versus Pins

| RGPIO | In GPIO module | Corresponding Pin on the chip | IOMUX register name | IOMUX register address |
|----------|----------------|-------------------------------|---------------------|------------------------|
| RGPIO[0] | PORT0[0] | PTA6 | IOMUXC_PTA6 | 40048000 |

Table continues on the next page...

Table 78. RGPIO versus Pins (continued)

| RGPIO | In GPIO module | Corresponding Pin on the chip | IOMUX register name | IOMUX register address |
|-----------|----------------|-------------------------------|---------------------|------------------------|
| RGPIO[1] | PORT0[1] | PTA8 | IOMUXC_PTA8 | 40048004 |
| RGPIO[2] | PORT0[2] | PTA9 | IOMUXC_PTA9 | 40048008 |
| RGPIO[3] | PORT0[3] | PTA10 | IOMUXC_PTA10 | 4004800C |
| RGPIO[4] | PORT0[4] | PTA11 | IOMUXC_PTA11 | 40048010 |
| RGPIO[5] | PORT0[5] | PTA12 | IOMUXC_PTA12 | 40048014 |
| RGPIO[6] | PORT0[6] | PTA16 | IOMUXC_PTA16 | 40048018 |
| RGPIO[7] | PORT0[7] | PTA17 | IOMUXC_PTA17 | 4004801C |
| RGPIO[8] | PORT0[8] | PTA18 | IOMUXC_PTA18 | 40048020 |
| RGPIO[9] | PORT0[9] | PTA19 | IOMUXC_PTA19 | 40048024 |
| RGPIO[10] | PORT0[10] | PTA20 | IOMUXC_PTA20 | 40048028 |
| RGPIO[11] | PORT0[11] | PTA21 | IOMUXC_PTA21 | 4004802C |
| RGPIO[12] | PORT0[12] | PTA22 | IOMUXC_PTA22 | 40048030 |
| RGPIO[13] | PORT0[13] | PTA23 | IOMUXC_PTA23 | 40048034 |
| RGPIO[14] | PORT0[14] | PTA24 | IOMUXC_PTA24 | 40048038 |
| RGPIO[15] | PORT0[15] | PTA25 | IOMUXC_PTA25 | 4004803C |
| RGPIO[16] | PORT0[16] | PTA26 | IOMUXC_PTA26 | 40048040 |
| RGPIO[17] | PORT0[17] | PTA27 | IOMUXC_PTA27 | 40048044 |
| RGPIO[18] | PORT0[18] | PTA28 | IOMUXC_PTA28 | 40048048 |
| RGPIO[19] | PORT0[19] | PTA29 | IOMUXC_PTA29 | 4004804C |
| RGPIO[20] | PORT0[20] | PTA30 | IOMUXC_PTA30 | 40048050 |
| RGPIO[21] | PORT0[21] | PTA31 | IOMUXC_PTA31 | 40048054 |
| RGPIO[22] | PORT0[22] | PTB0 | IOMUXC_PTB0 | 40048058 |
| RGPIO[23] | PORT0[23] | PTB1 | IOMUXC_PTB1 | 4004805C |
| RGPIO[24] | PORT0[24] | PTB2 | IOMUXC_PTB2 | 40048060 |
| RGPIO[25] | PORT0[25] | PTB3 | IOMUXC_PTB3 | 40048064 |
| RGPIO[26] | PORT0[26] | PTB4 | IOMUXC_PTB4 | 40048068 |
| RGPIO[27] | PORT0[27] | PTB5 | IOMUXC_PTB5 | 4004806C |
| RGPIO[28] | PORT0[28] | PTB6 | IOMUXC_PTB6 | 40048070 |
| RGPIO[29] | PORT0[29] | PTB7 | IOMUXC_PTB7 | 40048074 |
| RGPIO[30] | PORT0[30] | PTB8 | IOMUXC_PTB8 | 40048078 |
| RGPIO[31] | PORT0[31] | PTB9 | IOMUXC_PTB9 | 4004807C |
| RGPIO[32] | PORT1[0] | PTB10 | IOMUXC_PTB10 | 40048080 |
| RGPIO[33] | PORT1[1] | PTB11 | IOMUXC_PTB11 | 40048084 |
| RGPIO[34] | PORT1[2] | PTB12 | IOMUXC_PTB12 | 40048088 |
| RGPIO[35] | PORT1[3] | PTB13 | IOMUXC_PTB13 | 4004808C |
| RGPIO[36] | PORT1[4] | PTB14 | IOMUXC_PTB14 | 40048090 |
| RGPIO[37] | PORT1[5] | PTB15 | IOMUXC_PTB15 | 40048094 |
| RGPIO[38] | PORT1[6] | PTB16 | IOMUXC_PTB16 | 40048098 |
| RGPIO[39] | PORT1[7] | PTB17 | IOMUXC_PTB17 | 4004809C |

Table continues on the next page...

Table 78. RGPIO versus Pins (continued)

| RGPIO | In GPIO module | Corresponding Pin on the chip | IOMUX register name | IOMUX register address |
|-----------|----------------|-------------------------------|---------------------|------------------------|
| RGPIO[40] | PORT1[8] | PTB18 | IOMUXC_PTB18 | 400480A0 |
| RGPIO[41] | PORT1[9] | PTB19 | IOMUXC_PTB19 | 400480A4 |
| RGPIO[42] | PORT1[10] | PTB20 | IOMUXC_PTB20 | 400480A8 |
| RGPIO[43] | PORT1[11] | PTB21 | IOMUXC_PTB21 | 400480AC |
| RGPIO[44] | PORT1[12] | PTB22 | IOMUXC_PTB22 | 400480B0 |
| RGPIO[45] | PORT1[13] | PTC0 | IOMUXC_PTC0 | 400480B4 |
| RGPIO[46] | PORT1[14] | PTC1 | IOMUXC_PTC1 | 400480B8 |
| RGPIO[47] | PORT1[15] | PTC2 | IOMUXC_PTC2 | 400480BC |
| RGPIO[48] | PORT1[16] | PTC3 | IOMUXC_PTC3 | 400480C0 |
| RGPIO[49] | PORT1[17] | PTC4 | IOMUXC_PTC4 | 400480C4 |
| RGPIO[50] | PORT1[18] | PTC5 | IOMUXC_PTC5 | 400480C8 |
| RGPIO[51] | PORT1[19] | PTC6 | IOMUXC_PTC6 | 400480CC |
| RGPIO[52] | PORT1[20] | PTC7 | IOMUXC_PTC7 | 400480D0 |
| RGPIO[53] | PORT1[21] | PTC8 | IOMUXC_PTC8 | 400480D4 |
| RGPIO[54] | PORT1[22] | PTC9 | IOMUXC_PTC9 | 400480D8 |
| RGPIO[55] | PORT1[23] | PTC10 | IOMUXC_PTC10 | 400480DC |
| RGPIO[56] | PORT1[24] | PTC11 | IOMUXC_PTC11 | 400480E0 |
| RGPIO[57] | PORT1[25] | PTC12 | IOMUXC_PTC12 | 400480E4 |
| RGPIO[58] | PORT1[26] | PTC13 | IOMUXC_PTC13 | 400480E8 |
| RGPIO[59] | PORT1[27] | PTC14 | IOMUXC_PTC14 | 400480EC |
| RGPIO[60] | PORT1[28] | PTC15 | IOMUXC_PTC15 | 400480F0 |
| RGPIO[61] | PORT1[29] | PTC16 | IOMUXC_PTC16 | 400480F4 |
| RGPIO[62] | PORT1[30] | PTC17 | IOMUXC_PTC17 | 400480F8 |
| RGPIO[63] | PORT1[31] | PTD31 | IOMUXC_PTD31 | 400480FC |
| RGPIO[64] | PORT2[0] | PTD30 | IOMUXC_PTD30 | 40048100 |
| RGPIO[65] | PORT2[1] | PTD29 | IOMUXC_PTD29 | 40048104 |
| RGPIO[66] | PORT2[2] | PTD28 | IOMUXC_PTD28 | 40048108 |
| RGPIO[67] | PORT2[3] | PTD27 | IOMUXC_PTD27 | 4004810C |
| RGPIO[68] | PORT2[4] | PTD26 | IOMUXC_PTD26 | 40048110 |
| RGPIO[69] | PORT2[5] | PTD25 | IOMUXC_PTD25 | 40048114 |
| RGPIO[70] | PORT2[6] | PTD24 | IOMUXC_PTD24 | 40048118 |
| RGPIO[71] | PORT2[7] | PTD23 | IOMUXC_PTD23 | 4004811C |
| RGPIO[72] | PORT2[8] | PTD22 | IOMUXC_PTD22 | 40048120 |
| RGPIO[73] | PORT2[9] | PTD21 | IOMUXC_PTD21 | 40048124 |
| RGPIO[74] | PORT2[10] | PTD20 | IOMUXC_PTD20 | 40048128 |
| RGPIO[75] | PORT2[11] | PTD19 | IOMUXC_PTD19 | 4004812C |
| RGPIO[76] | PORT2[12] | PTD18 | IOMUXC_PTD18 | 40048130 |
| RGPIO[77] | PORT2[13] | PTD17 | IOMUXC_PTD17 | 40048134 |
| RGPIO[78] | PORT2[14] | PTD16 | IOMUXC_PTD16 | 40048138 |

Table continues on the next page...

Table 78. RGPIO versus Pins (continued)

| RGPIO | In GPIO module | Corresponding Pin on the chip | IOMUX register name | IOMUX register address |
|------------|----------------|-------------------------------|---------------------|------------------------|
| RGPIO[79] | PORT2[15] | PTD0 | IOMUXC_PTD0 | 4004813C |
| RGPIO[80] | PORT2[16] | PTD1 | IOMUXC_PTD1 | 40048140 |
| RGPIO[81] | PORT2[17] | PTD2 | IOMUXC_PTD2 | 40048144 |
| RGPIO[82] | PORT2[18] | PTD3 | IOMUXC_PTD3 | 40048148 |
| RGPIO[83] | PORT2[19] | PTD4 | IOMUXC_PTD4 | 4004814C |
| RGPIO[84] | PORT2[20] | PTD5 | IOMUXC_PTD5 | 40048150 |
| RGPIO[85] | PORT2[21] | PTD6 | IOMUXC_PTD6 | 40048154 |
| RGPIO[86] | PORT2[22] | PTD7 | IOMUXC_PTD7 | 40048158 |
| RGPIO[87] | PORT2[23] | PTD8 | IOMUXC_PTD8 | 4004815C |
| RGPIO[88] | PORT2[24] | PTD9 | IOMUXC_PTD9 | 40048160 |
| RGPIO[89] | PORT2[25] | PTD10 | IOMUXC_PTD10 | 40048164 |
| RGPIO[90] | PORT2[26] | PTD11 | IOMUXC_PTD11 | 40048168 |
| RGPIO[91] | PORT2[27] | PTD12 | IOMUXC_PTD12 | 4004816C |
| RGPIO[92] | PORT2[28] | PTD13 | IOMUXC_PTD13 | 40048170 |
| RGPIO[93] | PORT2[29] | PTB23 | IOMUXC_PTB23 | 40048174 |
| RGPIO[94] | PORT2[30] | PTB24 | IOMUXC_PTB24 | 40048178 |
| RGPIO[95] | PORT2[31] | PTB25 | IOMUXC_PTB25 | 4004817C |
| RGPIO[96] | PORT3[0] | PTB26 | IOMUXC_PTB26 | 40048180 |
| RGPIO[97] | PORT3[1] | PTB27 | IOMUXC_PTB27 | 40048184 |
| RGPIO[98] | PORT3[2] | PTB28 | IOMUXC_PTB28 | 40048188 |
| RGPIO[99] | PORT3[3] | PTC26 | IOMUXC_PTC26 | 4004818C |
| RGPIO[100] | PORT3[4] | PTC27 | IOMUXC_PTC27 | 40048190 |
| RGPIO[101] | PORT3[5] | PTC28 | IOMUXC_PTC28 | 40048194 |
| RGPIO[102] | PORT3[6] | PTC29 | IOMUXC_PTC29 | 40048198 |
| RGPIO[103] | PORT3[7] | PTC30 | IOMUXC_PTC30 | 4004819C |
| RGPIO[104] | PORT3[8] | PTC31 | IOMUXC_PTC31 | 400481A0 |
| RGPIO[105] | PORT3[9] | PTE0 | IOMUXC_PTE0 | 400481A4 |
| RGPIO[106] | PORT3[10] | PTE1 | IOMUXC_PTE1 | 400481A8 |
| RGPIO[107] | PORT3[11] | PTE2 | IOMUXC_PTE2 | 400481AC |
| RGPIO[108] | PORT3[12] | PTE3 | IOMUXC_PTE3 | 400481B0 |
| RGPIO[109] | PORT3[13] | PTE4 | IOMUXC_PTE4 | 400481B4 |
| RGPIO[110] | PORT3[14] | PTE5 | IOMUXC_PTE5 | 400481B8 |
| RGPIO[111] | PORT3[15] | PTE6 | IOMUXC_PTE6 | 400481BC |
| RGPIO[112] | PORT3[16] | PTE7 | IOMUXC_PTE7 | 400481C0 |
| RGPIO[113] | PORT3[17] | PTE8 | IOMUXC_PTE8 | 400481C4 |
| RGPIO[114] | PORT3[18] | PTE9 | IOMUXC_PTE9 | 400481C8 |
| RGPIO[115] | PORT3[19] | PTE10 | IOMUXC_PTE10 | 400481CC |
| RGPIO[116] | PORT3[20] | PTE11 | IOMUXC_PTE11 | 400481D0 |
| RGPIO[117] | PORT3[21] | PTE12 | IOMUXC_PTE12 | 400481D4 |

Table continues on the next page...

Table 78. RGPIO versus Pins (continued)

| RGPIO | In GPIO module | Corresponding Pin on the chip | IOMUX register name | IOMUX register address |
|------------|----------------|-------------------------------|---------------------|------------------------|
| RGPIO[118] | PORT3[22] | PTE13 | IOMUXC_PTE13 | 400481D8 |
| RGPIO[119] | PORT3[23] | PTE14 | IOMUXC_PTE14 | 400481DC |
| RGPIO[120] | PORT3[24] | PTE15 | IOMUXC_PTE15 | 400481E0 |
| RGPIO[121] | PORT3[25] | PTE16 | IOMUXC_PTE16 | 400481E4 |
| RGPIO[122] | PORT3[26] | PTE17 | IOMUXC_PTE17 | 400481E8 |
| RGPIO[123] | PORT3[27] | PTE18 | IOMUXC_PTE18 | 400481EC |
| RGPIO[124] | PORT3[28] | PTE19 | IOMUXC_PTE19 | 400481F0 |
| RGPIO[125] | PORT3[29] | PTE20 | IOMUXC_PTE20 | 400481F4 |
| RGPIO[126] | PORT3[30] | PTE21 | IOMUXC_PTE21 | 400481F8 |
| RGPIO[127] | PORT3[31] | PTE22 | IOMUXC_PTE22 | 400481FC |
| RGPIO[128] | PORT4[0] | PTE23 | IOMUXC_PTE23 | 40048200 |
| RGPIO[129] | PORT4[1] | PTE24 | IOMUXC_PTE24 | 40048204 |
| RGPIO[130] | PORT4[2] | PTE25 | IOMUXC_PTE25 | 40048208 |
| RGPIO[131] | PORT4[3] | PTE26 | IOMUXC_PTE26 | 4004820C |
| RGPIO[132] | PORT4[4] | PTE27 | IOMUXC_PTE27 | 40048210 |
| RGPIO[133] | PORT4[5] | PTE28 | IOMUXC_PTE28 | 40048214 |
| RGPIO[134] | PORT4[6] | PTA7 | IOMUXC_PTA7 | 40048218 |

12.2.2 Special Signal

Table 79. Special Signal Considerations

| Special Signal | Comments |
|--|--|
| DDR_VREF | When using DDR_VREF with DDR I/O, the nominal reference voltage must be half of the SDRAMC_VDD1P5 supply. The user must tie DDR_VREF to a precision external resistor divider. Shunt each resistor with a closely-mounted 0.1 μ F capacitor. |
| DDR_ZQ | DRAM calibration resistor 240 Ω 1% used as reference during DRAM output buffer driver calibration should be connected between this pad and GND |
| DECAP_V25_LDO_OUT | DCAP_V25_LDO_OUT can be tied to SDRAMC_VDD2P5 to provide the predriver supply for the DDR I/O segment. SDRAMC_VDD1P5 requires an external regulated supply. If SDRAMC_VDD2P5 uses an external 2.5V supply, do NOT tie it to DCAP_V25_LDO_OUT. |
| EXT_POR, TEST | Factory use only, tie to ground.. |
| EXT_TAMPER0, EXT_TAMPER1, EXT_TAMPER2, EXT_TAMPER3, EXT_TAMPER4, EXT_TAMPER5 | Security related tamper detection inputs, if not in use they must be tied to ground. |
| FA_VDD | Factory use only, tie to VDD. |

Table continues on the next page...

Table 79. Special Signal Considerations (continued)

| Special Signal | Comments |
|-------------------------|--|
| JTCLK, JTDI, JTDO, JTMS | For JTAG the use of external resistors is unnecessary. However, if external resistors are used, the user must ensure that the on-chip pull-up/down configuration is matched. For example, do not use an external pull down on an input that has on-chip pull-up. JTDO is configured with a keeper circuit such that the floating condition is eliminated if an external pull resistor is not present. An external pull resistor on JTDO is detrimental and should be avoided. |
| LVDS0N, LVDS0P | Not recommended for application use, intended for clock observation purposes during debug only. |
| RESETB/RESET_OUT | Active low input used to generate a system wide reset (except the SRTC). A glitch filter is include to help prevent unexpected resets, a minimum pulse width of 125 nsecs is required to guarantee a reset is detected. |
| XTAL, EXTAL | A 24.0 MHz fundamental mode crystal should be connected between XTAL and EXTAL. The crystal must be rated for a drive level of 250 μ W or higher. An ESR (equivalent series resistance) of 80 Ω or less is recommended. This clock is used as a reference for USB, so there are strict frequency tolerance and jitter requirements. The crystal can be eliminated if an external 24 MHz oscillator is available in the system. In this case, XTAL must be directly driven by the external oscillator and EXTAL floated. The XTAL signal level must swing from $\sim 0.8 \times \text{DECAP_V11_LDO_OUT}$ to $\sim 0.2 \text{ V}$. |
| XTAL32, EXTAL32 | If the user wishes to configure XTAL32 and EXTAL32 as an RTC oscillator, a 32.768 kHz crystal, ($\leq 50 \text{ k}\Omega$ ESR, 10 pF load) should be connected between XTAL32 and EXTAL32. Keep in mind the capacitors implemented on either side of the crystal are about twice the crystal load capacitor. To hit the exact oscillation frequency, the board capacitors need to be reduced to account for board and chip parasitics. The integrated oscillation amplifier is self biasing, but relatively weak. Care must be taken to limit parasitic leakage from XTAL32 and EXTAL32 to either power or ground ($> 100 \text{ M}\Omega$). This will debias the amplifier and cause a reduction of startup margin. Typically XTAL32 and EXTAL32 should bias to approximately 0.5 V. If it is desired to feed an external low frequency clock into XTAL32 the EXTAL32 pin should be left floating or driven with a complimentary signal. The logic level of this forcing clock should not exceed DECAP_V11_LDO_OUT level and the frequency should be $< 100 \text{ kHz}$ under typical conditions. In the case where the SIRC is used, it is recommended to connect XTAL32 to ground and leave EXTAL32 floating. |

13 Power Supply Pins

13.1 Power Supply Pins

Table 80. Power Supply Pins

| Supply Rail Name | 364 MAP BGA | 176 LQFP (R-series ONLY) | Comment |
|-------------------|---|---|--|
| DECAP_V11_LDO_OUT | V12 | 69 | On-chip 1.1V LDO output |
| DECAP_V25_LDO_OUT | T11 | 65 | On-chip 2.5V LDO output (Intended to supply DRAM IO when required) |
| FA_VDD | N7 | — | Factory Use Only (Connect to VDD, internally bonded in LQFP) |
| SDRAMC_VDD1P5 | D5, D11, E4, E7, E9, F5, H5, K5 | DRAM not supported in LQFP | 1.5V DDR3 DRAM Supply (1.2V for LPDDR2) |
| SDRAMC_VDD2P5 | E6, E10, J5 | DRAM not supported in LQFP | 2.5V DRAM Supply |
| USB_DCAP | Y10 | 59 | On-chip 3V LDO output (Intended to be fed by external USB VBUS supply) |
| USB0_GND | V10 | 61 | |
| USB1_GND | Y9 | USB1 not supported in LQFP | |
| VADC_AFE_BANDGAP | U5 | 41 | Video ADC Bandgap Output |
| VBAT | V14 | VBAT not supported in LQFP | On-chip SNVS regulator battery back-up supply option |
| VDD | G7, G9, G11, G13, H8, H10, H12, H14, J7, J13, K8, K14, L7, L13, M8, M14, N9, N11, N13, P8, P10, P12, P14 | 2, 22, 48, 85, 102, 125, 136, 174 | 1.2V Core Supply (Internally Regulated) |
| VDD33 | C12, C15, C18, F18, K3, K17, N3, N17, T17, U16, V8, W18 | 10, 21, 52, 83, 95, 108, 127, 140, 146, 158, 168 | 3.3V IO Supply |
| VDDA33_ADC | V1 | 31 | 3.3V Analog To Digital convertor supply |
| VDD12_AFE | T5 | 36 | 1.2V Analog Front End supply for Video ADC |
| VDDA33_AFE | V3 | 40 | 3.3V Analog Front End supply for Video ADC |
| VDD33_LDOIN | T12 | 68 | On-chip 2.5V LDO, 1.1V LDO and SNVS regulators input supply |
| VDDREG | P5 | 24 | On-chip HPREG, LPREG, WBREG and ULPREG regulators input supply |
| VREFH_ADC | W1 | 34 | ATD High Voltage Reference |
| VREFL_ADC | U3 | 33 | ATD Low Voltage Reference |

Table continues on the next page...

Table 80. Power Supply Pins (continued)

| Supply Rail Name | 364 MAP BGA | 176 LQFP (R-series ONLY) | Comment |
|------------------|---|--|---|
| VSS | A1, A20, B3, B5, B8, B11, B13, B16, B19, C2, D17, E5, E8, E11, E14, E19, F2, G8, G10, G12, G14, G17, H4, H7, H9, H11, H13, H19, J2, J8, J9, J10, J11, J12, J14, J18, K7, K9, K10, K11, K12, K13, L8, L9, L10, L11, L12, L14, L19, M2, M4, M7, M9, M10, M11, M12, M13, M18, N8, N10, N12, N14, P7, P9, P11, P13, P19, R2, R18, U7, U19, V11, V13, V17, W6, Y1, Y20 | 1, 13, 20, 25, 45, 67, 74, 82, 96, 107, 139, 144, 157, 175, 176, FLG | Ground. Connect "Flag pad (FLG)" to the internal GND plane with numerous vias—for both electrical and thermal purposes. |
| VSSA33_ADC | V2 | 32 | ATD Ground |
| VSS12_AFE | R5 | 38 | Video ADC Ground |
| VSSA33_AFE | V4 | 39 | Video ADC Ground |
| VSS_KEL0 | U11 | 66 | Ground (VSS and VSS_KEL0 are NOT connected internally) |

14 Functional Assignment Pins

14.1 Functional Assignment Pins

Table 81. Functional Assignment Pins

| Signal Name | 364 MAP BGA | 176 LQFP (R-series ONLY) | Power Group | Pad Type | Default Mode (Reset) | Default Function | Input/Output | Value |
|-------------|-------------|--------------------------|---------------|----------|----------------------|------------------|--------------|-------|
| ADC0SE8 | Y2 | — | VDDA33_A DC | Analog | — | ADC0SE8 | — | — |
| ADC0SE9 | W2 | — | VDDA33_A DC | Analog | — | ADC0SE9 | — | — |
| ADC1SE8 | W3 | — | VDDA33_A DC | Analog | — | ADC1SE8 | — | — |
| ADC1SE9 | Y3 | — | VDDA33_A DC | Analog | — | ADC1SE9 | — | — |
| BCTRL | T2 | 26 | VDDREG | Analog | — | BCTRL | — | — |
| DACO0 | U1 | 29 | VDDA33_A DC | Analog | — | DACO0 | — | — |
| DACO1 | U2 | 30 | VDDA33_A DC | Analog | — | DACO1 | — | — |
| DDR_A[0] | C7 | — | SDRAMC_VDD2P5 | DDR | — | DDR_A[0] | — | — |

Table continues on the next page...

**Table 81. Functional Assignment Pins
(continued)**

| Signal Name | 364 MAP BGA | 176 LQFP (R-series ONLY) | Power Group | Pad Type | Default Mode (Reset) | Default Function | Input/Output | Value |
|-------------|-------------|--------------------------|---------------|----------|----------------------|------------------|--------------|-------|
| DDR_A[1] | C11 | — | SDRAMC_VDD2P5 | DDR | — | DDR_A[1] | — | — |
| DDR_A[2] | A8 | — | SDRAMC_VDD2P5 | DDR | — | DDR_A[2] | — | — |
| DDR_A[3] | B7 | — | SDRAMC_VDD2P5 | DDR | — | DDR_A[3] | — | — |
| DDR_A[4] | A6 | — | SDRAMC_VDD2P5 | DDR | — | DDR_A[4] | — | — |
| DDR_A[5] | B6 | — | SDRAMC_VDD2P5 | DDR | — | DDR_A[5] | — | — |
| DDR_A[6] | A9 | — | SDRAMC_VDD2P5 | DDR | — | DDR_A[6] | — | — |
| DDR_A[7] | A7 | — | SDRAMC_VDD2P5 | DDR | — | DDR_A[7] | — | — |
| DDR_A[8] | A11 | — | SDRAMC_VDD2P5 | DDR | — | DDR_A[8] | — | — |
| DDR_A[9] | B9 | — | SDRAMC_VDD2P5 | DDR | — | DDR_A[9] | — | — |
| DDR_A[10] | D7 | — | SDRAMC_VDD2P5 | DDR | — | DDR_A[10] | — | — |
| DDR_A[11] | D10 | — | SDRAMC_VDD2P5 | DDR | — | DDR_A[11] | — | — |
| DDR_A[12] | C10 | — | SDRAMC_VDD2P5 | DDR | — | DDR_A[12] | — | — |
| DDR_A[13] | A10 | — | SDRAMC_VDD2P5 | DDR | — | DDR_A[13] | — | — |
| DDR_A[14] | D9 | — | SDRAMC_VDD2P5 | DDR | — | DDR_A[14] | — | — |
| DDR_A[15] | B10 | — | SDRAMC_VDD2P5 | DDR | — | DDR_A[15] | — | — |
| DDR_BA[0] | C8 | — | SDRAMC_VDD2P5 | DDR | — | DDR_BA[0] | — | — |
| DDR_BA[1] | C9 | — | SDRAMC_VDD2P5 | DDR | — | DDR_BA[1] | — | — |
| DDR_BA[2] | D8 | — | SDRAMC_VDD2P5 | DDR | — | DDR_BA[2] | — | — |
| DDR_CAS_b | B4 | — | SDRAMC_VDD2P5 | DDR | — | DDR_CAS_b | — | — |
| DDR_CKE[0] | A5 | — | SDRAMC_VDD2P5 | DDR | — | DDR_CKE[0] | — | — |
| DDR_CLK[0] | A2 | — | SDRAMC_VDD2P5 | DDR | — | DDR_CLK[0] | — | — |

Table continues on the next page...

**Table 81. Functional Assignment Pins
(continued)**

| Signal Name | 364 MAP BGA | 176 LQFP (R-series ONLY) | Power Group | Pad Type | Default Mode (Reset) | Default Function | Input/Output | Value |
|--------------|-------------|--------------------------|---------------|----------|----------------------|------------------|--------------|-------|
| DDR_CLK_b[0] | B2 | — | SDRAMC_VDD2P5 | DDR | — | DDR_CLK_b[0] | — | — |
| DDR_CS_b[0] | C5 | — | SDRAMC_VDD2P5 | DDR | — | DDR_CS_b[0] | — | — |
| DDR_D[0] | F4 | — | SDRAMC_VDD2P5 | DDR | — | DDR_D[0] | — | — |
| DDR_D[1] | H3 | — | SDRAMC_VDD2P5 | DDR | — | DDR_D[1] | — | — |
| DDR_D[2] | D4 | — | SDRAMC_VDD2P5 | DDR | — | DDR_D[2] | — | — |
| DDR_D[3] | G4 | — | SDRAMC_VDD2P5 | DDR | — | DDR_D[3] | — | — |
| DDR_D[4] | F3 | — | SDRAMC_VDD2P5 | DDR | — | DDR_D[4] | — | — |
| DDR_D[5] | J3 | — | SDRAMC_VDD2P5 | DDR | — | DDR_D[5] | — | — |
| DDR_D[6] | C3 | — | SDRAMC_VDD2P5 | DDR | — | DDR_D[6] | — | — |
| DDR_D[7] | G3 | — | SDRAMC_VDD2P5 | DDR | — | DDR_D[7] | — | — |
| DDR_D[8] | J1 | — | SDRAMC_VDD2P5 | DDR | — | DDR_D[8] | — | — |
| DDR_D[9] | D1 | — | SDRAMC_VDD2P5 | DDR | — | DDR_D[9] | — | — |
| DDR_D[10] | H1 | — | SDRAMC_VDD2P5 | DDR | — | DDR_D[10] | — | — |
| DDR_D[11] | E2 | — | SDRAMC_VDD2P5 | DDR | — | DDR_D[11] | — | — |
| DDR_D[12] | G1 | — | SDRAMC_VDD2P5 | DDR | — | DDR_D[12] | — | — |
| DDR_D[13] | C1 | — | SDRAMC_VDD2P5 | DDR | — | DDR_D[13] | — | — |
| DDR_D[14] | H2 | — | SDRAMC_VDD2P5 | DDR | — | DDR_D[14] | — | — |
| DDR_D[15] | D2 | — | SDRAMC_VDD2P5 | DDR | — | DDR_D[15] | — | — |
| DDR_DQM[0] | J4 | — | SDRAMC_VDD2P5 | DDR | — | DDR_DQM[0] | — | — |
| DDR_DQM[1] | G2 | — | SDRAMC_VDD2P5 | DDR | — | DDR_DQM[1] | — | — |
| DDR_DQS[0] | D3 | — | SDRAMC_VDD2P5 | DDR | — | DDR_DQS[0] | — | — |

Table continues on the next page...

**Table 81. Functional Assignment Pins
(continued)**

| Signal Name | 364 MAP BGA | 176 LQFP (R-series ONLY) | Power Group | Pad Type | Default Mode (Reset) | Default Function | Input/Output | Value |
|---|-------------|--------------------------|---------------|----------|----------------------|---|--------------|-------|
| DDR_DQS_b[0] | E3 | — | SDRAMC_VDD2P5 | DDR | — | DDR_DQS_b[0] | — | — |
| DDR_DQS[1] | E1 | — | SDRAMC_VDD2P5 | DDR | — | DDR_DQS[1] | — | — |
| DDR_DQS_b[1] | F1 | — | SDRAMC_VDD2P5 | DDR | — | DDR_DQS_b[1] | — | — |
| DDR_ODT[0] | C4 | — | SDRAMC_VDD2P5 | DDR | — | DDR_ODT[0] | — | — |
| DDR_ODT[1] | B1 | — | SDRAMC_VDD2P5 | DDR | — | DDR_ODT[1] | — | — |
| DDR_RAS_b | A4 | — | SDRAMC_VDD2P5 | DDR | — | DDR_RAS_b | — | — |
| DDR_RESET | D6 | — | SDRAMC_VDD2P5 | DDR | — | DDR_RESET | — | — |
| DDR_VREF | G5 | — | SDRAMC_VDD2P5 | DDR | — | DDR_VREF | — | — |
| DDR_WE_b | C6 | — | SDRAMC_VDD2P5 | DDR | — | DDR_WE_b | — | — |
| DDR_ZQ | A3 | — | SDRAMC_VDD2P5 | DDR | — | DDR_ZQ | — | — |
| EXT_POR | T1 | 23 | VDD33 | GPIO | — | EXT_POR | — | — |
| EXT_TAMP ER0 | T14 | — | VBAT | Analog | — | EXT_TAMP ER0 | — | — |
| EXT_TAMP ER1 | U14 | — | VBAT | Analog | — | EXT_TAMP ER1 | — | — |
| EXT_TAMP ER2/ EXT_WM0_TAMPER_I N | T13 | — | VBAT | Analog | — | EXT_TAMP ER2/ EXT_WM0_TAMPER_I N | — | — |
| EXT_TAMP ER3/ EXT_WM0_TAMPER_ OUT | U13 | — | VBAT | Analog | — | EXT_TAMP ER3/ EXT_WM0_TAMPER_ OUT | — | — |
| EXT_TAMP ER4/ EXT_WM1_TAMPER_I N | U12 | — | VBAT | Analog | — | EXT_TAMP ER4/ EXT_WM1_TAMPER_I N | — | — |
| EXT_TAMP ER5/ EXT_WM1_TAMPER_ OUT | U10 | — | VBAT | Analog | — | EXT_TAMP ER5/ EXT_WM1_TAMPER_ OUT | — | — |

Table continues on the next page...

**Table 81. Functional Assignment Pins
(continued)**

| Signal Name | 364 MAP BGA | 176 LQFP (R-series ONLY) | Power Group | Pad Type | Default Mode (Reset) | Default Function | Input/Output | Value |
|-----------------|-------------|--------------------------|---------------------------|----------|----------------------|------------------|--------------|----------|
| EXTAL | Y13 | 73 | DECAP_V1 1_ LDO_OUT | Analog | — | EXTAL | — | — |
| EXTAL32 | Y12 | 70 | DECAP_V1 1_ LDO_OUT | Analog | — | EXTAL32 | — | — |
| JTCLK/ SWCLK | K4 | 3 | VDD33 | GPIO | ALT1 | JTAG | Input | 100K PU |
| JTDI | K2 | 4 | VDD33 | GPIO | ALT1 | JTAG | Input | 100K PU |
| JTDO | K1 | 5 | VDD33 | GPIO | ALT1 | JTAG | Disabled | — |
| JTMS/ SWDIO | L1 | 6 | VDD33 | GPIO | ALT1 | JTAG | Input | 100K PU |
| LVDS0P | W14 | — | DECAP_V2 5_ LDO_OUT | Analog | — | LVDS0P | — | — |
| LVDS0N | Y14 | — | DECAP_V2 5_ LDO_OUT | Analog | — | LVDS0N | — | — |
| PTA6 | N5 | 19 | VDD33 | GPIO | ALT0 | GPIO | Disabled | |
| PTA7 | V15 | 75 | VDD33 | GPIO | ALT0 | GPIO | Disabled | |
| PTA12 | L3 | 7 | VDD33 | GPIO | ALT0 | GPIO | Disabled | |
| PTA16 | Y5 | 43 | VDD33 | GPIO | ALT0 | GPIO | Disabled | |
| PTA17 | Y6 | 44 | VDD33 | GPIO | ALT0 | GPIO | Disabled | |
| PTA18 | V6 | 46 | VDD33 | GPIO | ALT0 | GPIO | Disabled | |
| PTA19 | U6 | 47 | VDD33 | GPIO | ALT0 | GPIO | Disabled | |
| PTA20 | B18 | 143 | VDD33 | GPIO | ALT0 | GPIO | Disabled | |
| PTA21 | D18 | 145 | VDD33 | GPIO | ALT0 | GPIO | Disabled | |
| PTA22 | E17 | 147 | VDD33 | GPIO | ALT0 | GPIO | Disabled | |
| PTA23 | C17 | 148 | VDD33 | GPIO | ALT0 | GPIO | Disabled | |
| PTA24 | R16 | — | VDD33 | GPIO | ALT0 | GPIO | Disabled | |
| PTA25 | R17 | — | VDD33 | GPIO | ALT0 | GPIO | Disabled | |
| PTA26 | R19 | — | VDD33 | GPIO | ALT0 | GPIO | Disabled | |
| PTA27 | R20 | — | VDD33 | GPIO | ALT0 | GPIO | Disabled | |
| PTA28 | P20 | — | VDD33 | GPIO | ALT0 | GPIO | Disabled | |
| PTA29 | P18 | — | VDD33 | GPIO | ALT0 | GPIO | Disabled | |
| PTA30 | P17 | — | VDD33 | GPIO | ALT0 | GPIO | Disabled | |
| PTA31 | P16 | — | VDD33 | GPIO | ALT0 | GPIO | Disabled | |
| PTB0 | T6 | 49 | VDD33 | GPIO | ALT0 | GPIO | Disabled | |
| PTB1 | T7 | 50 | VDD33 | GPIO | ALT3 | RCON30 | Input | Disabled |
| PTB2 | V7 | 51 | VDD33 | GPIO | ALT3 | RCON31 | Input | Disabled |

Table continues on the next page...

**Table 81. Functional Assignment Pins
(continued)**

| Signal Name | 364 MAP BGA | 176 LQFP (R-series ONLY) | Power Group | Pad Type | Default Mode (Reset) | Default Function | Input/Output | Value |
|-------------|-------------|--------------------------|-------------|----------|----------------------|------------------|--------------|----------|
| PTB3 | W7 | 53 | VDD33 | GPIO | ALT0 | GPIO | Disabled | |
| PTB4 | Y7 | 54 | VDD33 | GPIO | ALT0 | GPIO | Disabled | |
| PTB5 | Y8 | 55 | VDD33 | GPIO | ALT0 | GPIO | Disabled | |
| PTB6 | W8 | 56 | VDD33 | GPIO | ALT0 | GPIO | Disabled | |
| PTB7 | D13 | 166 | VDD33 | GPIO | ALT0 | GPIO | Disabled | |
| PTB8 | J16 | 121 | VDD33 | GPIO | ALT0 | GPIO | Disabled | |
| PTB9 | J19 | 123 | VDD33 | GPIO | ALT0 | GPIO | Disabled | |
| PTB10 | B15 | 159 | VDD33 | GPIO | ALT0 | GPIO | Disabled | |
| PTB11 | D14 | 164 | VDD33 | GPIO | ALT0 | GPIO | Disabled | |
| PTB12 | E13 | 165 | VDD33 | GPIO | ALT0 | GPIO | Disabled | |
| PTB13 | D15 | 156 | VDD33 | GPIO | ALT0 | GPIO | Disabled | |
| PTB14 | B14 | 162 | VDD33 | GPIO | ALT0 | GPIO | Disabled | |
| PTB15 | A14 | 161 | VDD33 | GPIO | ALT0 | GPIO | Disabled | |
| PTB16 | C14 | 163 | VDD33 | GPIO | ALT0 | GPIO | Disabled | |
| PTB17 | A15 | 160 | VDD33 | GPIO | ALT0 | GPIO | Disabled | |
| PTB18 | B12 | 171 | VDD33 | GPIO | ALT0 | GPIO | Input | Disabled |
| PTB19 | C13 | 167 | VDD33 | GPIO | ALT0 | GPIO | Input | Disabled |
| PTB20 | A13 | 169 | VDD33 | GPIO | ALT0 | GPIO | Disabled | |
| PTB21 | E12 | 173 | VDD33 | GPIO | ALT0 | GPIO | Disabled | |
| PTB22 | D12 | 172 | VDD33 | GPIO | ALT0 | GPIO | Disabled | |
| PTB23 | A19 | 141 | VDD33 | GPIO | ALT3 | GPIO | Disabled | |
| PTB24 | A18 | 142 | VDD33 | GPIO | ALT3 | GPIO | Disabled | |
| PTB25 | B17 | 149 | VDD33 | GPIO | ALT3 | GPIO | Disabled | |
| PTB26 | A17 | 150 | VDD33 | GPIO | ALT3 | RCON21 | Input | Disabled |
| PTB27 | U8 | 57 | VDD33 | GPIO | ALT3 | RCON22 | Input | Disabled |
| PTB28 | A16 | 151 | VDD33 | GPIO | ALT3 | RCON23 | Input | Disabled |
| PTC0 | L4 | 8 | VDD33 | GPIO | ALT7 | RCON18 | Input | Disabled |
| PTC1 | L5 | 9 | VDD33 | GPIO | ALT7 | RCON19 | Input | Disabled |
| PTC2 | M5 | 11 | VDD33 | GPIO | ALT7 | RCON20 | Input | Disabled |
| PTC3 | M3 | 12 | VDD33 | GPIO | ALT0 | GPIO | Disabled | |
| PTC4 | L2 | 14 | VDD33 | GPIO | ALT0 | GPIO | Disabled | |
| PTC5 | M1 | 15 | VDD33 | GPIO | ALT0 | GPIO | Disabled | |
| PTC6 | N1 | 16 | VDD33 | GPIO | ALT0 | GPIO | Disabled | |
| PTC7 | N2 | 17 | VDD33 | GPIO | ALT0 | GPIO | Disabled | |
| PTC8 | N4 | 18 | VDD33 | GPIO | ALT0 | GPIO | Disabled | |
| PTC9 | T15 | — | VDD33 | GPIO | ALT0 | GPIO | Disabled | |
| PTC10 | U15 | — | VDD33 | GPIO | ALT0 | GPIO | Disabled | |

Table continues on the next page...

**Table 81. Functional Assignment Pins
(continued)**

| Signal Name | 364 MAP BGA | 176 LQFP (R-series ONLY) | Power Group | Pad Type | Default Mode (Reset) | Default Function | Input/Output | Value |
|-------------|-------------|--------------------------|-------------|----------|----------------------|------------------|--------------|----------|
| PTC11 | P4 | — | VDD33 | GPIO | ALT0 | GPIO | Disabled | |
| PTC12 | P3 | — | VDD33 | GPIO | ALT0 | GPIO | Disabled | |
| PTC13 | P1 | — | VDD33 | GPIO | ALT0 | GPIO | Disabled | |
| PTC14 | R1 | — | VDD33 | GPIO | ALT0 | GPIO | Disabled | |
| PTC15 | P2 | — | VDD33 | GPIO | ALT0 | GPIO | Disabled | |
| PTC16 | R3 | — | VDD33 | GPIO | ALT0 | GPIO | Disabled | |
| PTC17 | R4 | — | VDD33 | GPIO | ALT0 | GPIO | Disabled | |
| PTC26 | D16 | 153 | VDD33 | GPIO | ALT3 | RCON24 | Input | Disabled |
| PTC27 | E16 | 154 | VDD33 | GPIO | ALT3 | RCON25 | Input | Disabled |
| PTC28 | E15 | 155 | VDD33 | GPIO | ALT3 | RCON26 | Input | Disabled |
| PTC29 | C16 | 152 | VDD33 | GPIO | ALT3 | RCON27 | Input | Disabled |
| PTC30 | T8 | 58 | VDD33 | GPIO | ALT3 | RCON28 | Input | Disabled |
| PTC31 | W5 | 42 | VDD33 | GPIO | ALT3 | RCON29 | Input | Disabled |
| PTD0 | Y17 | 86 | VDD33 | GPIO | ALT0 | GPIO | Disabled | |
| PTD1 | Y18 | 87 | VDD33 | GPIO | ALT0 | GPIO | Disabled | |
| PTD2 | V18 | 88 | VDD33 | GPIO | ALT0 | GPIO | Disabled | |
| PTD3 | Y19 | 89 | VDD33 | GPIO | ALT0 | GPIO | Disabled | |
| PTD4 | W19 | 90 | VDD33 | GPIO | ALT0 | GPIO | Disabled | |
| PTD5 | W20 | 91 | VDD33 | GPIO | ALT0 | GPIO | Disabled | |
| PTD6 | V20 | 92 | VDD33 | GPIO | ALT0 | GPIO | Disabled | |
| PTD7 | V19 | 93 | VDD33 | GPIO | ALT0 | GPIO | Disabled | |
| PTD8 | U17 | 94 | VDD33 | GPIO | ALT0 | GPIO | Disabled | |
| PTD9 | U18 | 97 | VDD33 | GPIO | ALT0 | GPIO | Disabled | |
| PTD10 | U20 | 98 | VDD33 | GPIO | ALT0 | GPIO | Disabled | |
| PTD11 | T20 | 99 | VDD33 | GPIO | ALT0 | GPIO | Disabled | |
| PTD12 | T19 | 100 | VDD33 | GPIO | ALT0 | GPIO | Disabled | |
| PTD13 | T18 | 101 | VDD33 | GPIO | ALT0 | GPIO | Disabled | |
| PTD16 | D20 | 133 | VDD33 | GPIO | ALT0 | GPIO | Disabled | |
| PTD17 | E20 | 132 | VDD33 | GPIO | ALT0 | GPIO | Disabled | |
| PTD18 | E18 | 131 | VDD33 | GPIO | ALT0 | GPIO | Disabled | |
| PTD19 | F16 | 130 | VDD33 | GPIO | ALT0 | GPIO | Disabled | |
| PTD20 | F17 | 129 | VDD33 | GPIO | ALT0 | GPIO | Disabled | |
| PTD21 | F19 | 128 | VDD33 | GPIO | ALT0 | GPIO | Disabled | |
| PTD22 | F20 | 126 | VDD33 | GPIO | ALT0 | GPIO | Disabled | |
| PTD23 | G20 | 124 | VDD33 | GPIO | ALT0 | GPIO | Disabled | |
| PTD24 | G19 | — | VDD33 | GPIO | ALT0 | GPIO | Disabled | |
| PTD25 | G18 | — | VDD33 | GPIO | ALT0 | GPIO | Disabled | |

Table continues on the next page...

**Table 81. Functional Assignment Pins
(continued)**

| Signal Name | 364 MAP BGA | 176 LQFP (R-series ONLY) | Power Group | Pad Type | Default Mode (Reset) | Default Function | Input/Output | Value |
|----------------------|-------------|--------------------------|-------------|----------|----------------------|----------------------|--------------|----------|
| PTD26 | G16 | — | VDD33 | GPIO | ALT0 | GPIO | Disabled | |
| PTD27 | H16 | — | VDD33 | GPIO | ALT0 | GPIO | Disabled | |
| PTD28 | H17 | — | VDD33 | GPIO | ALT0 | GPIO | Disabled | |
| PTD29 | H18 | — | VDD33 | GPIO | ALT0 | GPIO | Disabled | |
| PTD30 | H20 | — | VDD33 | GPIO | ALT0 | GPIO | Disabled | |
| PTD31 | J20 | — | VDD33 | GPIO | ALT0 | GPIO | Disabled | |
| PTE0 | N16 | 103 | VDD33 | GPIO | ALT2 | BMODE1 | Input | Disabled |
| PTE1 | N18 | 104 | VDD33 | GPIO | ALT2 | BMODE0 | Input | Disabled |
| PTE2 | N19 | 105 | VDD33 | GPIO | ALT0 | GPIO | Disabled | |
| PTE3 | Y15 | 77 | VDD33 | GPIO | ALT0 | GPIO | Disabled | |
| PTE4 | N20 | 106 | VDD33 | GPIO | ALT0 | GPIO | Disabled | |
| PTE5 | T16 | 80 | VDD33 | GPIO | ALT0 | GPIO | Disabled | |
| PTE6 | W16 | 81 | VDD33 | GPIO | ALT0 | GPIO | Disabled | |
| PTE7 | M20 | 109 | VDD33 | GPIO | ALT3 | RCON0 | Input | Disabled |
| PTE8 | M19 | 110 | VDD33 | GPIO | ALT3 | RCON1 | Input | Disabled |
| PTE9 | M17 | 111 | VDD33 | GPIO | ALT3 | RCON2 | Input | Disabled |
| PTE10 | M16 | 112 | VDD33 | GPIO | ALT3 | RCON3 | Input | Disabled |
| PTE11 | L16 | 113 | VDD33 | GPIO | ALT3 | RCON4 | Input | Disabled |
| PTE12 | L17 | 114 | VDD33 | GPIO | ALT3 | RCON5 | Input | Disabled |
| PTE13 | Y16 | 78 | VDD33 | GPIO | ALT0 | GPIO | Disabled | |
| PTE14 | W15 | 76 | VDD33 | GPIO | ALT0 | GPIO | Disabled | |
| PTE15 | L18 | 115 | VDD33 | GPIO | ALT3 | RCON6 | Input | Disabled |
| PTE16 | L20 | 116 | VDD33 | GPIO | ALT3 | RCON7 | Input | Disabled |
| PTE17 | K20 | 117 | VDD33 | GPIO | ALT3 | RCON8 | Input | Disabled |
| PTE18 | K19 | 118 | VDD33 | GPIO | ALT3 | RCON9 | Input | Disabled |
| PTE19 | K18 | 119 | VDD33 | GPIO | ALT3 | RCON10 | Input | Disabled |
| PTE20 | A12 | 170 | VDD33 | GPIO | ALT3 | RCON11 | Input | Disabled |
| PTE21 | V16 | 79 | VDD33 | GPIO | ALT0 | GPIO | Disabled | |
| PTE22 | W17 | 84 | VDD33 | GPIO | ALT0 | GPIO | Disabled | |
| PTE23 | J17 | 122 | VDD33 | GPIO | ALT3 | RCON12 | Input | Disabled |
| PTE24 | D19 | 134 | VDD33 | GPIO | ALT3 | RCON13 | Input | Disabled |
| PTE25 | C19 | 135 | VDD33 | GPIO | ALT3 | RCON14 | Input | Disabled |
| PTE26 | C20 | 137 | VDD33 | GPIO | ALT3 | RCON15 | Input | Disabled |
| PTE27 | B20 | 138 | VDD33 | GPIO | ALT3 | RCON16 | Input | Disabled |
| PTE28 | K16 | 120 | VDD33 | GPIO | ALT3 | RCON17 | Input | Disabled |
| RESETB/ RESET_OUT | T4 | 28 | VDD33 | GPIO | — | RESETB/ RESET_OUT | — | — |

Table continues on the next page...

**Table 81. Functional Assignment Pins
(continued)**

| Signal Name | 364 MAP BGA | 176 LQFP (R-series ONLY) | Power Group | Pad Type | Default Mode (Reset) | Default Function | Input/Output | Value |
|------------------|-------------|--------------------------|--|----------|----------------------|------------------|--------------|-------|
| TEST | T3 | 27 | VDD33 | GPIO | — | TEST | — | — |
| USB0_DM | T9 | 62 | USB_DCAP | Analog | — | USB0_DM | — | — |
| USB0_DP | T10 | 63 | USB_DCAP | Analog | — | USB0_DP | — | — |
| USB0_VBUS | W11 | 60 | USB_DCAP | Analog | — | USB0_VBUS | — | — |
| USB0_VBUS_DETECT | Y11 | 64 | USB_DCAP | Analog | — | USB0_VBUS_DETECT | — | — |
| USB1_DM | V9 | — | USB_DCAP | Analog | — | USB1_DM | — | — |
| USB1_DP | W9 | — | USB_DCAP | Analog | — | USB1_DP | — | — |
| USB1_VBUS | W10 | — | USB_DCAP | Analog | — | USB1_VBUS | — | — |
| USB1_VBUS_DETECT | U9 | — | USB_DCAP | Analog | — | USB1_VBUS_DETECT | — | — |
| VADCSE0 | Y4 | 35 | VDDA33_A DC / VDD12_AFE / VADC_AFE _BANDGAP ? | Analog | — | VADCSE0 | — | — |
| VADCSE1 | U4 | 37 | VDDA33_A DC / VDD12_AFE / VADC_AFE _BANDGAP ? | Analog | — | VADCSE1 | — | — |
| VADCSE2 | W4 | — | VDDA33_A DC / VDD12_AFE / VADC_AFE _BANDGAP ? | Analog | — | VADCSE2 | — | — |
| VADCSE3 | V5 | — | VDDA33_A DC / VDD12_AFE / VADC_AFE _BANDGAP ? | Analog | — | VADCSE3 | — | — |
| XTAL | W13 | 72 | DECAP_V1 1_ LDO_OUT | Analog | — | XTAL | — | — |
| XTAL32 | W12 | 71 | DECAP_V1 1_ LDO_OUT | Analog | — | XTAL32 | — | — |

15 Revision History

The following table provides a revision history for this document.

Table 82. Revision History

| Rev. No. | Date | Substantial Changes |
|----------|---------|---|
| Rev 1 | 12/2011 | Initial release |
| Rev 2 | 2/2012 | Updated feature list Updated VREG electrical specifications Updated LDO_1P1, LDO2P5 tables Updated DDR IO parameters Added DDR memory controller parameters Updated Power sequencing table Added Power supply diagram Updated Recommended operating conditions Replaced DryIce Tamper Electrical Specifications with Voltage and temperature monitor electrical specifications Updated VideoADC electricals. Updated VideoADC supply scheme diagram. Added VideoADC supply_decoupling diagram Added QuadSPI DDR mode electrical specifications Updated Fast internal RC oscillator table Updated Slow internal RC oscillator table Updated Pinouts section |
| Rev 3 | 4/2012 | Updated device name throughout the document Minor editorial updates in the feature list Updated VREG electrical specifications Updated LDO electrical specifications Updated Power consumption operating behaviors table Added USB PHY Current Consumption table Updated GPIO parameters Updated DDR parameters Updated Power sequencing Updated Power supply figure Updated Recommended operating conditions table Removed Reset specifications Updated 12-bit DAC operating requirements Added a note in 12-bit ADC operating conditions section |

Table continues on the next page...

Table 82. Revision History (continued)

| Rev. No. | Date | Substantial Changes |
|----------|--------|--|
| | | <p>Updated VideoADC Specifications table</p> <p>Updated LCD driver specifications table</p> <p>QuadSPI timing- Replaced VDDE with VDD33</p> <p>Added notes in DDR3 Timing Parameters and LPDD2 Timing Parameters sections.</p> <p>Updated 24MHz external oscillator electrical characteristics table</p> <p>Updated OSC32K Main Characteristics table</p> <p>Updated Document Number for 144-pin LQFP</p> <p>Changed pin-name from EXT_POR to TEST2, VBAT to VBB</p> <p>Updated Pinouts section</p> <p>Updated GPIO Mapping</p> |
| Rev 4 | 8/2012 | <p>Updated Part identification</p> <p>Editorial changes in USB PHY Current Consumption in Normal Mode, GPIO AC Electrical Characteristics (3.3V power mode)</p> <p>Updated Power sequencing table</p> <p>Updated Power supply diagram</p> <p>Updated AC electrical specification of following modules: DCU, 12-bit DAC, Ethernet, Enhanced Serial Audio Interface (ESAI), SAI/I2S, Flexbus, MLB, DSPI, 24MHz External Oscillator, JTAG, Debug, ESAI, QSPI</p> <p>Updated Thermal Attributes for 364 MAPBGA</p> <p>Updated document number for 176-pin LQFP and 364 MAPBGA</p> <p>Updated VREG specifications</p> <p>Added WBREG specifications</p> <p>Updated Recommended operating conditions table</p> <p>Updated DAC INL and DNL charts</p> <p>Updated Pinouts</p> |
| Rev 5 | 4/2013 | <ul style="list-style-type: none"> • Removed references to VF1xxR and refernces to F100 and 144 LQFP and 256 MAPBGA • Replaced references to Auto and IMM by R-series and F-series respectively • In the feature list, the ARM Core frequency changed to 500 MHz for F-series • In the feature list, changed the DRAM controller frequency • Updated Part Nummbering format • Clarified the Fields table as per Marketing • Sample numbers updated • From the VREG electrical specifications tables, deleted pre-trimming rows and comments • .In the HPREG electrical characteristics table, add footnote on maximum Output Current Capacity • In the ULPREG electrical characteristics table, clarified max value of Output voltage @ no load and min value of Output voltage @ full load • In the WBREG electrical characteristics table, clarified max value of Output voltage @ no load and min value of Output voltage @ full load • In the LVD electrical specifications table, added typ. values of Upper voltage threshold (value @27oC) and Lower voltage threshold (value @27oC) • In the LVD DIG electrical specifications table, removed pretrimming values and clarified other values • Updated LVD DIG electrical specifications values • Updated LDO_1P1 tables |

Table continues on the next page...

Table 82. Revision History (continued)

| Rev. No. | Date | Substantial Changes |
|----------|---------|--|
| | | <ul style="list-style-type: none"> Updated LDO_2P5 table Updated Power consumption operating behaviors tables Updated Absolute maximum ratings table Removed Temperature Voltage Monitor section to security RM Updated VideoADC Specifications table |
| Rev 6 | 1/2014 | <ul style="list-style-type: none"> Added QuadSPI electricals Changed VBB references to VBAT In the feature list, clarified that ECC supported for 8-bit mode only, not 16-bit. Revised the part number format Revised the field table Added Absolute Maximum Rating table, which was made non_cust in the previous version In the Power Consumption Operating Behavior table, Revised min and max value of IDD_LPS3 and IDD_LPS2. Removed IDD_LPS1 row In the USB PHY Current Consumption table, removed the Normal Mode In the Power Sequence table, revised the Power UP/ Down Order column for USB0_VBUs and USB1_VBUS In the Recommended operating conditions table, revised the min value of VBAT. Revised the min value of VREFH_ADC Revised the min and max values of SDRAMC_VDD1P5 In the Recommended Connections for Unused Analog Interfaces section, added the notes. Revised the Recommendation if Unused column In the 12-bit ADC operating conditions, revised Conditions for Ground voltage. Revised min Ref High Voltage In the 12-bit DAC operating requirements, revised the min and max value of VREFH_ADC In the SDHC switching specifications, revised the max value of SD6 In the 24MHz external oscillator electrical characteristics table, revised the min value of VIH and max value of VIL |
| Rev 7 | 11/2014 | <ul style="list-style-type: none"> Updated list of security features on page 1. In "Part number format" figure, updated explanation for '1'. In "Fields" table, updated definition of 'R'. In "Part Numbers" table, added parts SVF331R3K1CKU2, SVF531R3K1CMK4, and SVF532R2K1CMK4. In "External NPN ballast" section, updated recommendations for transistor selection. In "DDR parameters" section, updated table footnotes regarding typical condition. In "Power sequencing" table, added comment regarding SDRAMC_VDD1P5: "In case the Ballast transistor's collector is connected to the 1.5 V DRAM supply (instead of the 3.3 V supply), turn this 1.5 V supply on before turning on the 3.3V." In "VideoADC specifications" table, added supply current values. In "Receive and Transmit signal timing specifications," added the following note: "See the most current errata document when using the internally generated RXCLK and TXCLK clocks." Updated "QuadSPI timing" section, presenting data based on a negative edge data launch from the device and a negative edge data capture; updated the figure, "QuadSPI Input/Read timing (SDR mode)"; updated the table, "QuadSPI Input/Read timing (SDR mode)." For the "SDHC switching specifications" table, added the statement, "A load of 50 pF is assumed"; updated max value for SD6, SDHC output delay (output valid). In the "24 MHz oscillator specifications" section, added the statement, "The crystal must be rated for a drive level of 250 μW or higher. An ESR (equivalent series resistance) of 80 Ω or less is recommended to achieve a gain margin of 5." In "Pinouts" section, for the 176LQFP package, added information about exposed pad on the bottom side. In "Special Signal Considerations" table, added that a "fundamental-mode" crystal should be connected between XTAL and EXTAL; updated maximum drive level of crystal rating to 250 μW. |
| Rev 8 | 01/2018 | <ul style="list-style-type: none"> Throughout: Updated references to company website In the "Part number format" figure, updated the "Option" box with mask options |

Table 82. Revision History

| Rev. No. | Date | Substantial Changes |
|----------|------|---|
| | | <ul style="list-style-type: none"> • Deleted the "Fields" section • Updated part numbers in "Part numbers" section • In "Power consumption operating behaviors" section, updated descriptions and footnotes for IDD_LPS3 and IDD_LPS2 • In "Absolute maximum ratings" table, added rows for USB0_DP, USB0_DN, USB1_DP, and USB1_DN • In the table, "12-bit ADC characteristics ($V_{REFH} = V_{DDAD}$, $V_{REFL} = V_{SSAD}$):" <ul style="list-style-type: none"> • Changed mentions of "Temp Sensor" to "Temperature Sensor" • Added footnotes 2 and 3 • In the table, "12-bit DAC operating behaviors," in footnote 5, changed "$V_{DDA} = 3.0\text{ V}$" to "$V_{DDA} = 3.3\text{ V}$" • In "Video Input Unit timing" section, added clocking requirements after introduction • Updated "QuadSPI timing" section • For "NFC specifications" section: <ul style="list-style-type: none"> • Changed title to "NAND flash controller specifications" • In the note, specified that the reader should see the CCM section of the product reference manual for more information • Changed title of the figure "Read data latch cycle timing in non-fast mode" to "Read data latch cycle timing in Slow mode" • Changed title of the figure "Read data latch cycle timing in fast mode" to "Read data latch cycle timing in Fast mode and EDO mode" • In the table footnotes in the "I2C timing" section, updated the frequency of the PER_CLK, from 83 MHz to 66 MHz • In the "Pinouts" table, for L5, changed RMII0_MDIO/MII0_MDC to RMII0_MDIO/ MII0_MDIO |

How to Reach Us:

Home Page:

nxp.com

Web Support:

nxp.com/support

Information in this document is provided solely to enable system and software implementers to use NXP products. There are no express or implied copyright licenses granted hereunder to design or fabricate any integrated circuits based on the information in this document. NXP reserves the right to make changes without further notice to any products herein.

NXP makes no warranty, representation, or guarantee regarding the suitability of its products for any particular purpose, nor does NXP assume any liability arising out of the application or use of any product or circuit, and specifically disclaims any and all liability, including without limitation consequential or incidental damages. "Typical" parameters that may be provided in NXP data sheets and/or specifications can and do vary in different applications, and actual performance may vary over time. All operating parameters, including "typicals," must be validated for each customer application by customer's technical experts. NXP does not convey any license under its patent rights nor the rights of others. NXP sells products pursuant to standard terms and conditions of sale, which can be found at the following address: nxp.com/SalesTermsandConditions.

NXP, the NXP logo, I2C BUS, Freescale, the Freescale logo, and Vybrid are trademarks of NXP B.V. All other product or service names are the property of their respective owners. Arm, Cortex, and TrustZone are registered trademarks of Arm Limited (or its subsidiaries) in the EU and/or elsewhere. NEON is a trademark of Arm Limited (or its subsidiaries) in the EU and/or elsewhere. All rights reserved.

© 2012-2013, 2017 NXP B.V.

Document Number VYBRIDRSEIESEC
Revision 8, 01/2018

