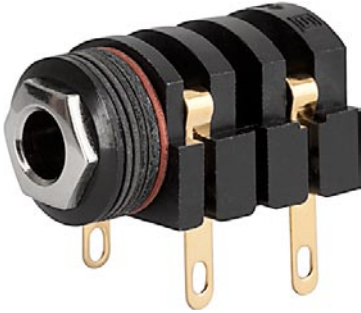


Audio, Daten & Signal, Socket, 6.3 mm, 2-pole, solder terminal, shielded



Description

- Solder terminal:
Screw-on mounting, from rear-side
- Audio entrances and exits
- Data and Signal transfer
- Data and Signal Connectors 2-pole, shielded, straight
- Reinforced gold plating for increased insertions

References

Alternative: Housing insulated [4803.2210](#)

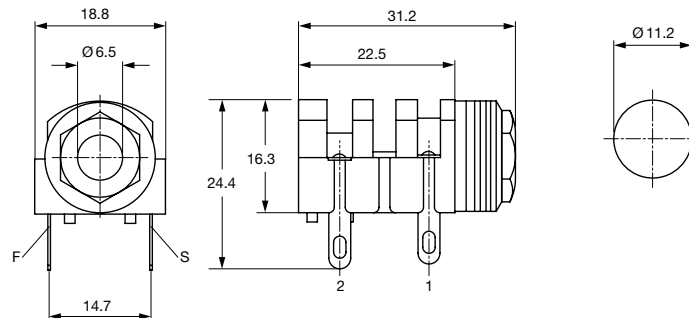
Weblinks

[pdf-datasheet](#), [html-datasheet](#), [General Product Information](#), [RoHS](#), [CHINA-RoHS](#), [Mating Connectors](#), [e-Shop](#), [SCHURTER-Stock-Check](#), [Distributor-Stock-Check](#)

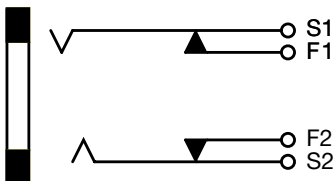
Technical Data

Diameter	6.3 mm	Allowable Operation Temp.	-20 °C to 70 °C
Number of Poles	2-pole	Terminal	solder terminal
Ratings DC	2A / 12VDC	Mounting	Screw-on mounting wall thickness max. 5.0mm
Ratings AC	2A / 12VAC	Housing	screened
Dielectric Strength	1000VDC	Style	straight
Insulation Resistance	> 10000 MΩ @ 500VDC	Lifetime	10000 Insertions

Dimensions



Diagrams



Variants

Product group	Diameter [mm]	Number of Poles	Terminal	Order Number
Data and Signal Plug/ Sockets	6.3	2-pole	solder terminal	4803.2200

Packaging unit 100 Pcs

Mating Inlets/Plugs

Category / Description

[Data and Signal Plug/Socket Overview complete](#)



Audio, Data & Signal, Plug, 6.3 mm, 2-pole, solder terminal, shielded	4803.1200
Audio, Data & Signal, Plug, 6.3 mm, 2-pole, solder terminal, insulated	4803.1210
Audio, Data & Signal, Plug, 6.3 mm, 2-pole, solder terminal, insulated, angled	4803.1220

[Data and Signal Plug/Socket further types to 4803 UK-Stecker, D=6,5mm](#)