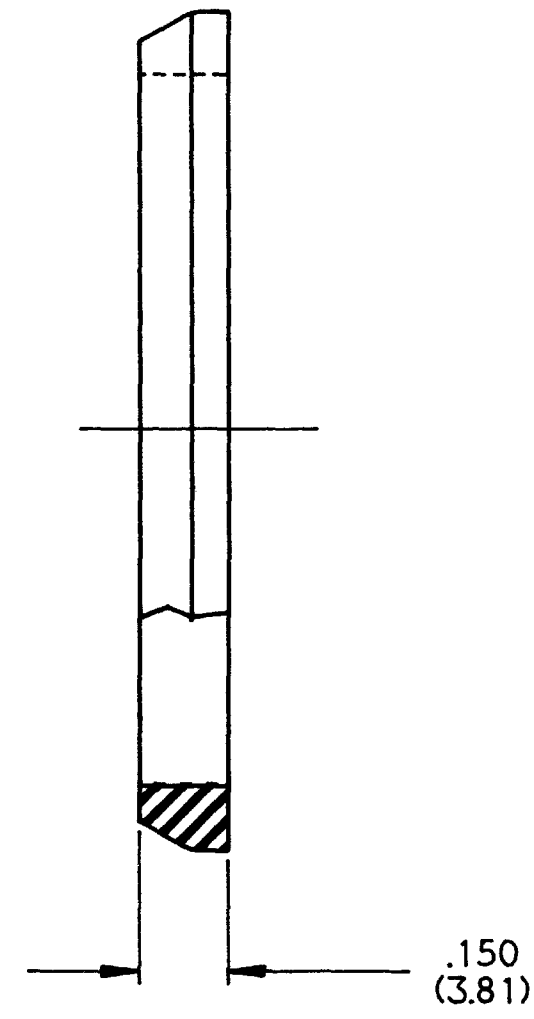
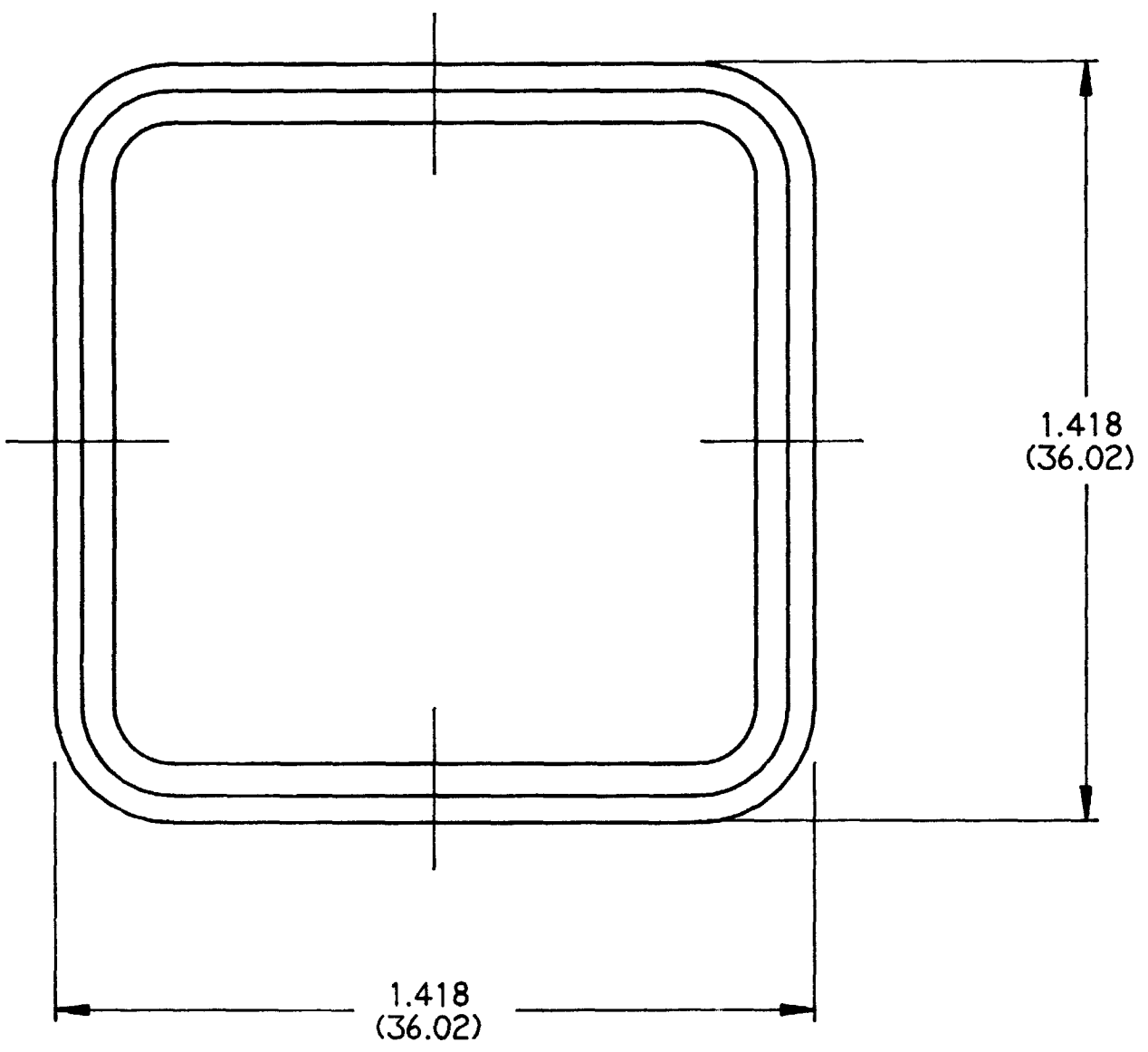


REV
A 0513-012-4006

| REVISIONS | | | |
|-----------|---------------------------------|---------|--------------------|
| SYM | DESCRIPTION | DATE | APPROVED |
| A | REVISED AND REDRAWN E.O. A13784 | 4/11/92 | <i>[Signature]</i> |
| | | | |
| | | | |
| | | | |



NOTES:
 1. ALL DIMENSIONS ARE INCHES (METRIC)
 2. ALL DIMENSIONS ARE FOR REFERENCE ONLY.

| SIGNATURE & DATE | |
|------------------|------------------------|
| DR | C. WOODRUFF 31MAR92 |
| CHK | |
| PE | <i>[Signature]</i> 4-1 |
| APPD | |
| SCALE | NONE |
| WT | |

FRONT SEAL
 FOR AEC PLUG
 AEC SERIES

ENVELOPE

| | |
|--|-------------------------|
| CP | MATL-CODE |
| The Deutsch Company DEUTSCH I.P.D. 37140 INDUSTRIAL AVE. HEMET, CALIF. 92343 | |
| 0513-012-4006 | |
| DWG SIZE | CODE 11139 SHEET 1 OF 1 |