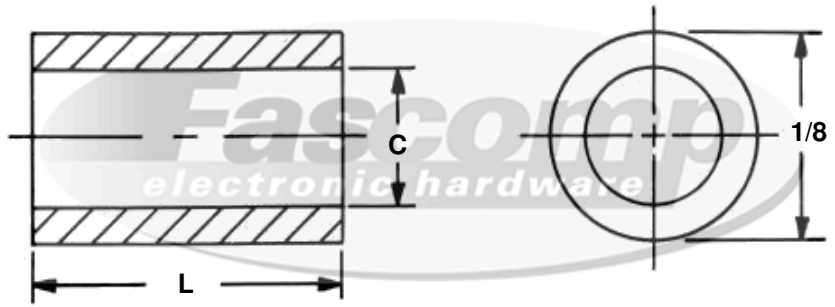


1/8 Round Spacers



Create a part number:

| Length | Clearance | Material | Finish |
|-------------------------------|-----------|----------|--------|
| FCXXXX | XX | XX | XX |
| _____ - _____ - _____ - _____ | | | |

| Hex Code Table | | |
|----------------|--------|------------|
| ✓ | FMXXXX | Length (L) |
| | FC1100 | 1/8 |
| | FC1101 | 3/16 |
| | FC1102 | 1/4 |
| | FC1103 | 5/16 |
| | FC1104 | 3/8 |
| | FC1105 | 7/16 |
| | FC1106 | 1/2 |

| Hole Clearance Code (XX) | | |
|--------------------------|-----------|-------------|
| ✓ | Code (XX) | C + .010 |
| | 0 | .064 |
| | 2 | .090 |

| Material | | |
|----------|--------------------|-----------------|
| ✓ | Material Code (XX) | |
| | A | Aluminum |
| | B | Brass |
| | S | Steel |
| | SS | Stainless Steel |
| | N | Nylon |

| ✓ | Compatible Finish (XX) | |
|---|------------------------|---|
| | A, B, S, SS | 0 - Plain |
| | B, S | 5 - Nickel Plate (QQ-N-290) |
| | A | 6 - Iridite #14 Gold (MIL-C-5541E) |
| | A | 7 - Iridite Clear (MIL-C-5541E) |
| | A | 9 - Alodine 1200 |
| | B, S | 12 - Zinc Clear (ASTM-B-633) |
| | B, S | 16 - Electro Tin (MIL-T-10727 TYPE 1) |
| | SS | 20 - Passivation (MIL-F-14072D) |
| | A | 22 - Clear Anodize (MIL-A-8625-TYPE2) (Sulphuric) Hot Water Seal (Clear) |
| | A | 24 - Black Anodize (MIL-A-8625) |
| | B, S, SS | 26 - Black Oxide |
| | B, S | 28 - Zinc Yellow (ASTM-B-633) |



Tolerances
Unless otherwise Specified
 .xxx +/- .005
 .xx +/- .010
 Angular +/- 1 Degree
 Linear +/- .005
Break all sharp edges

Source Control Drawing:
 To be produced by
 Fascomp Electronic Hardware

This document is the property of Fascomp Inc. and shall not be reproduced, distributed, or used as a basis for manufacturing without written permission from Fascomp Inc.