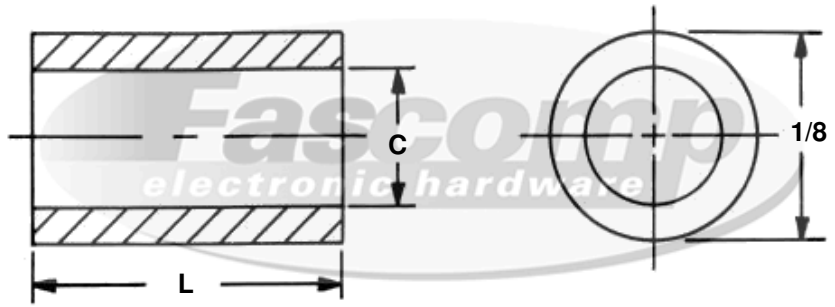


# 1/8 Round Spacers



**Create a part number:**

Length	Clearance	Material	Finish
FCXXXX	XX	XX	XX
_____ - _____ - _____ - _____			

Hex Code Table		
✓	FMXXXX	Length (L)
	FC1100	1/8
	FC1101	3/16
	FC1102	1/4
	FC1103	5/16
	FC1104	3/8
	FC1105	7/16
	FC1106	1/2

Hole Clearance Code (XX)		
✓	Code (XX)	C + .010
	0	.064
	2	.090

Material		
✓	Material Code (XX)	
	A	Aluminum
	B	Brass
	S	Steel
	SS	Stainless Steel
	N	Nylon

✓	Compatible Finish (XX)	
	A, B, S, SS	0 - Plain
	B, S	5 - Nickel Plate (QQ-N-290)
	A	6 - Iridite #14 Gold (MIL-C-5541E)
	A	7 - Iridite Clear (MIL-C-5541E)
	A	9 - Alodine 1200
	B, S	12 - Zinc Clear (ASTM-B-633)
	B, S	16 - Electro Tin (MIL-T-10727 TYPE 1)
	SS	20 - Passivation (MIL-F-14072D)
	A	22 - Clear Anodize (MIL-A-8625-TYPE2) (Sulphuric) Hot Water Seal (Clear)
	A	24 - Black Anodize (MIL-A-8625)
	B, S, SS	26 - Black Oxide
	B, S	28 - Zinc Yellow (ASTM-B-633)



**Tolerances**  
**Unless otherwise Specified**  
 .xxx +/- .005  
 .xx +/- .010  
 Angular +/- 1 Degree  
 Linear +/- .005  
**Break all sharp edges**

Source Control Drawing:  
 To be produced by  
 Fascomp Electronic Hardware

This document is the property of Fascomp Inc. and shall not be reproduced, distributed, or used as a basis for manufacturing without written permission from Fascomp Inc.