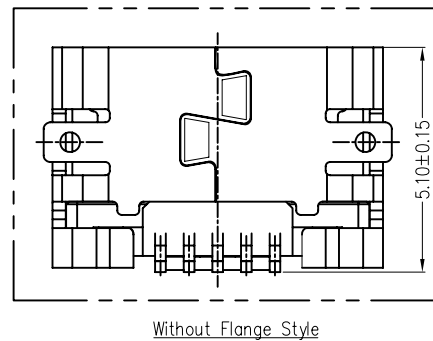
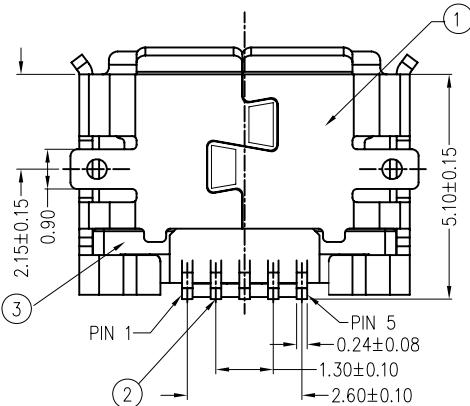
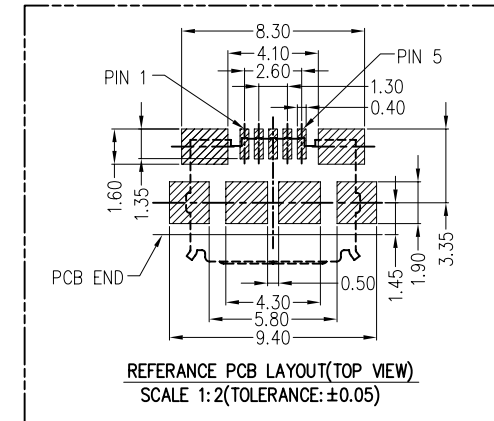
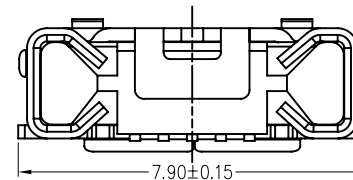
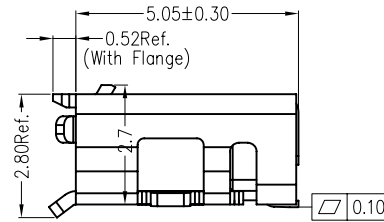
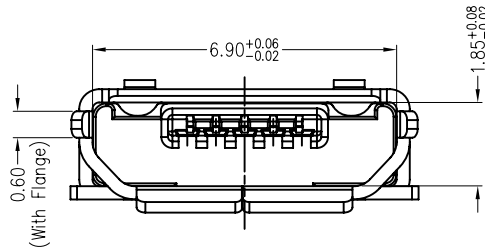


NOTES:

1. MATERIAL:
HOUSING: HIGH THERMOPLASTIC RESIN, UL94V-0, COLOR: BLACK
TERMINAL: COPPER ALLOY
SHELL: STAINLESS
2. FINISH:
CONTACT AREA: GOLD PLATED
CONTACT SOLDER AREA: GOLD FLASH
SHELL: MATTE TIN PLATED
UNDER NICKEL PLATED ALL OVER.
3. PRODUCT SPECIFICATION: GS-12-641.
4. PACKAGING SPECIFICATION: GS-14-2180.
5. THE "LF" MEANS FOR LEAD FREE AND CAN WITHSTAND EXPOSE TO 260°C PEAK TEMPERATURE FOR 10 SECONDS IN IR REFLOW PROCESS.
6. PART NUMBER: 10118192-000 X LF

- 1- WHIT FLANGE
- 2- WITHOUT FLANGE



Item	Title	Q'TY
1	Shell	1
2	Terminal	5
3	InsertMolding	1

mat'l. code		surface ASME Y14.5 ✓		tolerance ASME Y14.5		projection		product family USB	
ltr		ecn no		dr		date		title	
A		LS		10/21/11		10/21/11		MICRO USB B TYPE RECEPTACLE	
B		ELX-N-20835		Nick		5/07/15		scale	
				angles		.X±0.38		MM	
						.XX±0.25		scale	
				X*±2°		.XXX±0.10		FCI	
				dr		JASON HSU 05/21/11		dwg no	
				enr		JASON HSU 05/21/11		sheet 1 of 1	
				chr		JASON HSU 05/21/11		10118192	
				appd		GARY HSIEH 05/21/11		size A4	
sheet index		revision sheet		B		1		type CUSTOMER Drawing	