

THIS DRAWING IS UNPUBLISHED. RELEASED FOR PUBLICATION ,19 .
 © COPYRIGHT 19 BY AMP INCORPORATED. ALL INTERNATIONAL RIGHTS RESERVED.

| PROD CODE | LOC | DIST | P | F | ZONE | LTR | DESCRIPTION | DATE | APPD |
|-----------|-----|------|---|---|------|-----|--------------------------------|------|------|
| 4086 | DF | SO | | | | K | REV & REDRAWN; 0600-5719-96 CT | 9-96 | SG |

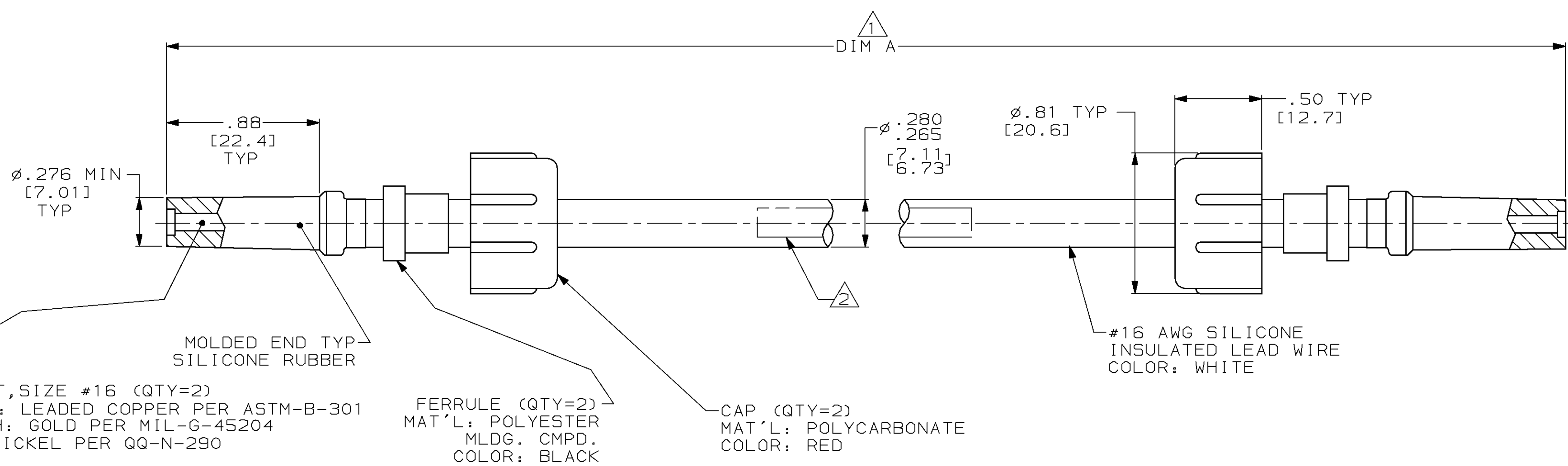
| PART NO. | DIM A | |
|------------|-----------------|----------|
| 862550-1 | 6.00 [152.4] | |
| 862550-2 | 8.00 [203.2] | |
| 862550-3 | 10.00 [254.0] | |
| 862550-4 | 12.00 [304.8] | |
| 862550-5 | 15.00 [381.0] | OBSOLETE |
| 862550-6 | 18.00 [457.2] | |
| 862550-7 | 21.00 [533.4] | OBSOLETE |
| 862550-8 | 24.00 [609.6] | |
| 862550-9 | 36.00 [914.4] | |
| 1-862550-0 | 30.00 [762.0] | OBSOLETE |
| 1-862550-1 | 110.00 [2794.0] | |
| 1-862550-2 | 72.00 [1828.8] | |
| 1-862550-3 | 48.00 [1219.2] | |
| 1-862550-4 | 7.00 [177.8] | |
| 1-862550-5 | 5.00 [127.0] | OBSOLETE |
| 1-862550-6 | 60.00 [1524.0] | OBSOLETE |

D

C

B

A



- 1 TOLERANCE OF LEAD LENGTH:
UP TO 24 INCHES [609.6] = ±.12 [±3.1]
24 INCHES [609.6] & UP = ±1%
- 2 MARKED PER MIL-STD-130 LOCATED APPROX IN CENTER OF LEAD.
- 3. TO MATE WITH AMP LGH-1 RECEPTACLE WITH .88 [22.4] BARREL DEPTH.
- 4. OPERATING VOLTAGE: 20 KVDC AT 0 TO 70,000 FEET; -55°C TO 125°C.

| | | |
|---|--------------------------------|--|
| DO NOT SCALE PRINT. UNLESS SPECIFIED DIMENSIONS IN INCHES [mm] TOLERANCES ON: 2 PLC DEC ± .02 [0.5] 3 PLC DEC ± - ANGLES ± - | DR 9-27-96 C.C. THOMAS | AMP Incorporated Harrisburg, PA 17105-3608 |
| MATERIAL SEE CALLOUTS | CHK 10-30-96 S. GLATFELTER | |
| FINISH SEE CALLOUTS | APPD 10-30-96 S. GLATFELTER | NAME LEAD ASS'Y, DBL. END, POS. STOP, LGH-1 |
| | RLSE 10-30-96 C. THOMAS | SIZE C 00779 |
| | PRODUCT SPEC - | DRAWING NO 862550 |
| | APPLICATION SPEC - | SCALE 2:1 |
| | WEIGHT - | SHEET 1 OF 1 |