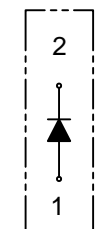
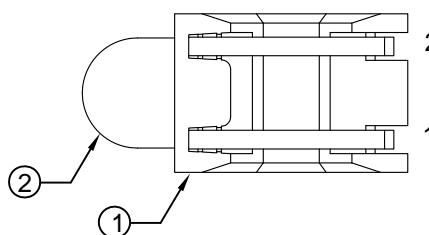
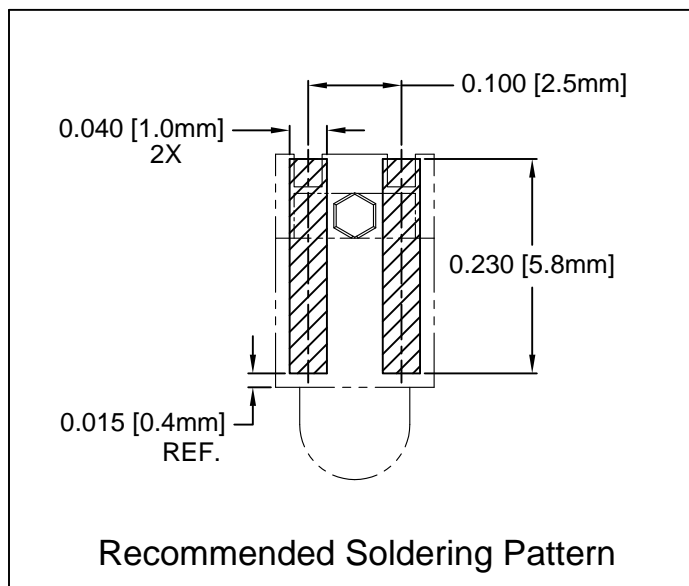
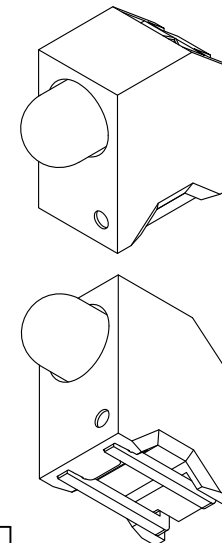
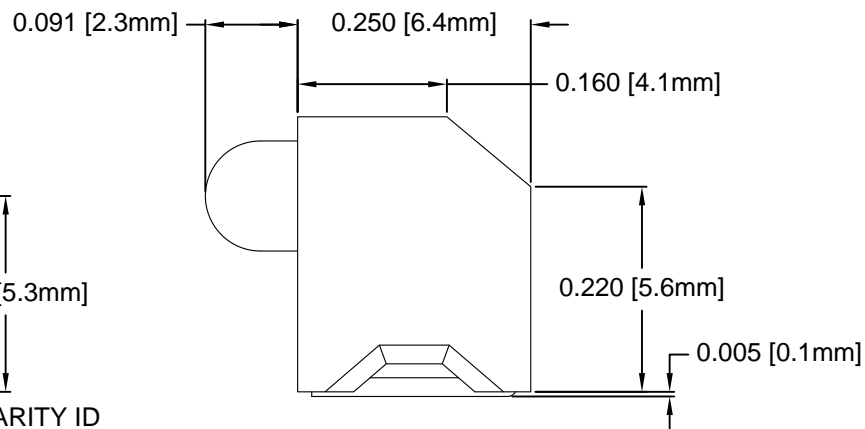
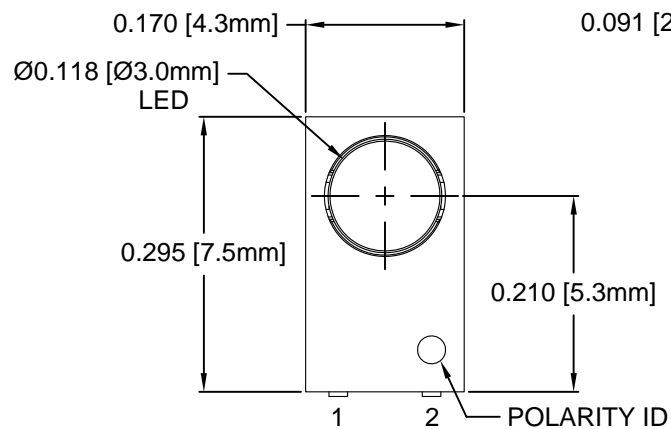
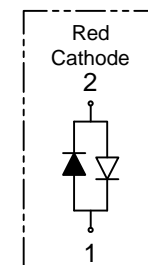


ITEM	QTY	PART NUMBER	PART DESCRIPTION
1	1	HT3	T1 (3mm) High Temperature Single Level Holder, 90° Mount
2	1	BDL-XXXX	T1 (3mm) N-Flange LED, See Page 2

REV.	DESCRIPTION	DATE	APPROVED
B	Engineering Release	04/19/11	T. Y.
C	Engineering Update w/o Changes	06/25/16	J. C.




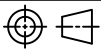
Single
Color



HT3-BC-T

ABSOLUTE MAXIMUM RATINGS (Ta=25° C)

REVERSE VOLTAGE _____	5V
REVERSE CURRENT _____	100uA
OPERATING TEMPERATURE RANGE _____	-25° C - 85° C
STORAGE TEMPERATURE _____	-30° C - 100° C
LEAD SOLDERING TEMPERATURE(1/16" FROM BODY) _____	260° C FOR 5 SECONDS

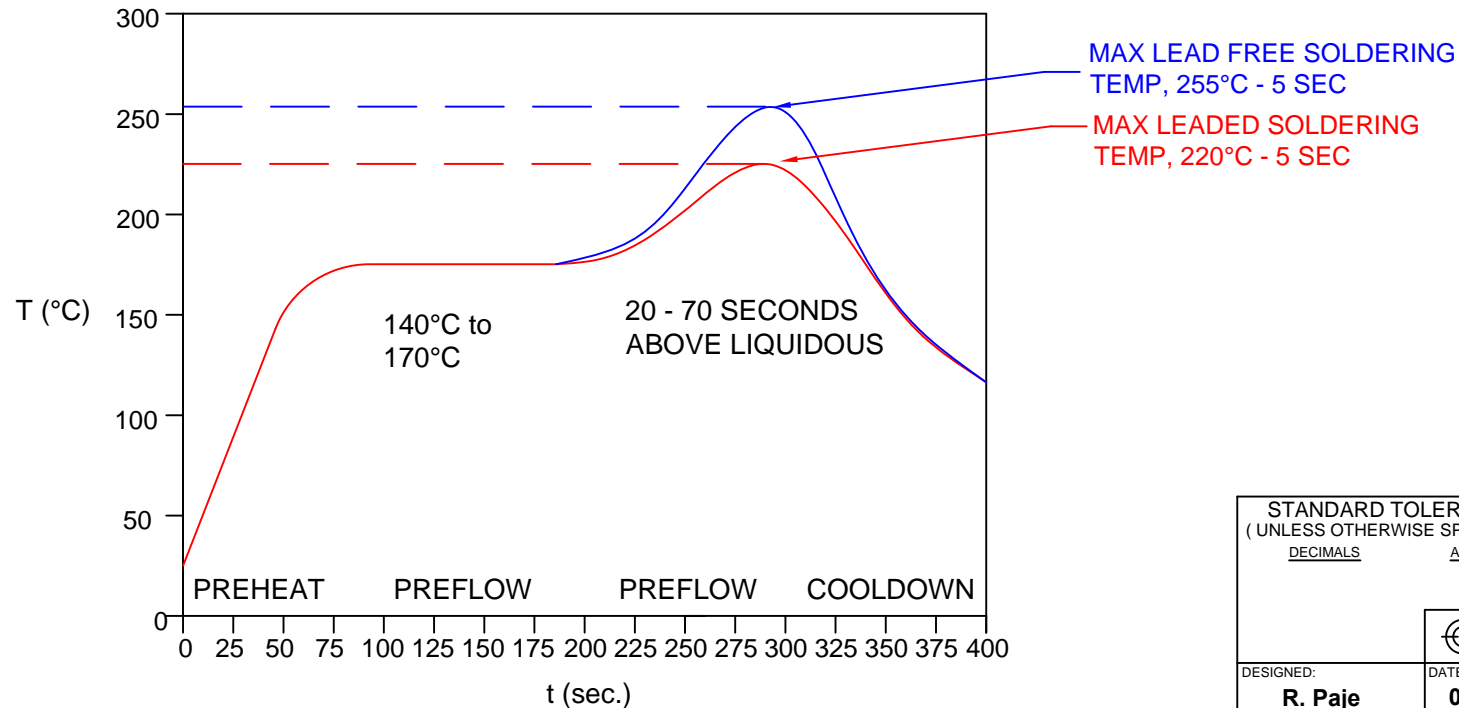
STANDARD TOLERANCE (UNLESS OTHERWISE SPECIFIED)		 4 THOMAS, IRVINE, CA. 92618 TEL: (949) 951-8808 FAX: (949) 951-3974	
DECIMALS	ANGULAR		
.X ± .1	X° ± 1°	 TITLE: T1 (3mm) SMT 90° SURFACE MOUNT LED, TAPE AND REEL	
.XX ± .02			
.XXX ± .010			
DESIGNED: R. Paje	DATE: 04/26/10	PART NO: HT3-XXX-T	REVISION: C
CHECKED: T. Yin	DATE: 04/26/10	CAGE CODE : 32559	SHEET # 1 OF 3
CAD GENERATED DOCUMENT. DO NOT MEASURE DRAWING.			

REV.	DESCRIPTION	DATE	APPROVED
	SEE SHEET #1		

AVAILABLE CONFIGURATIONS

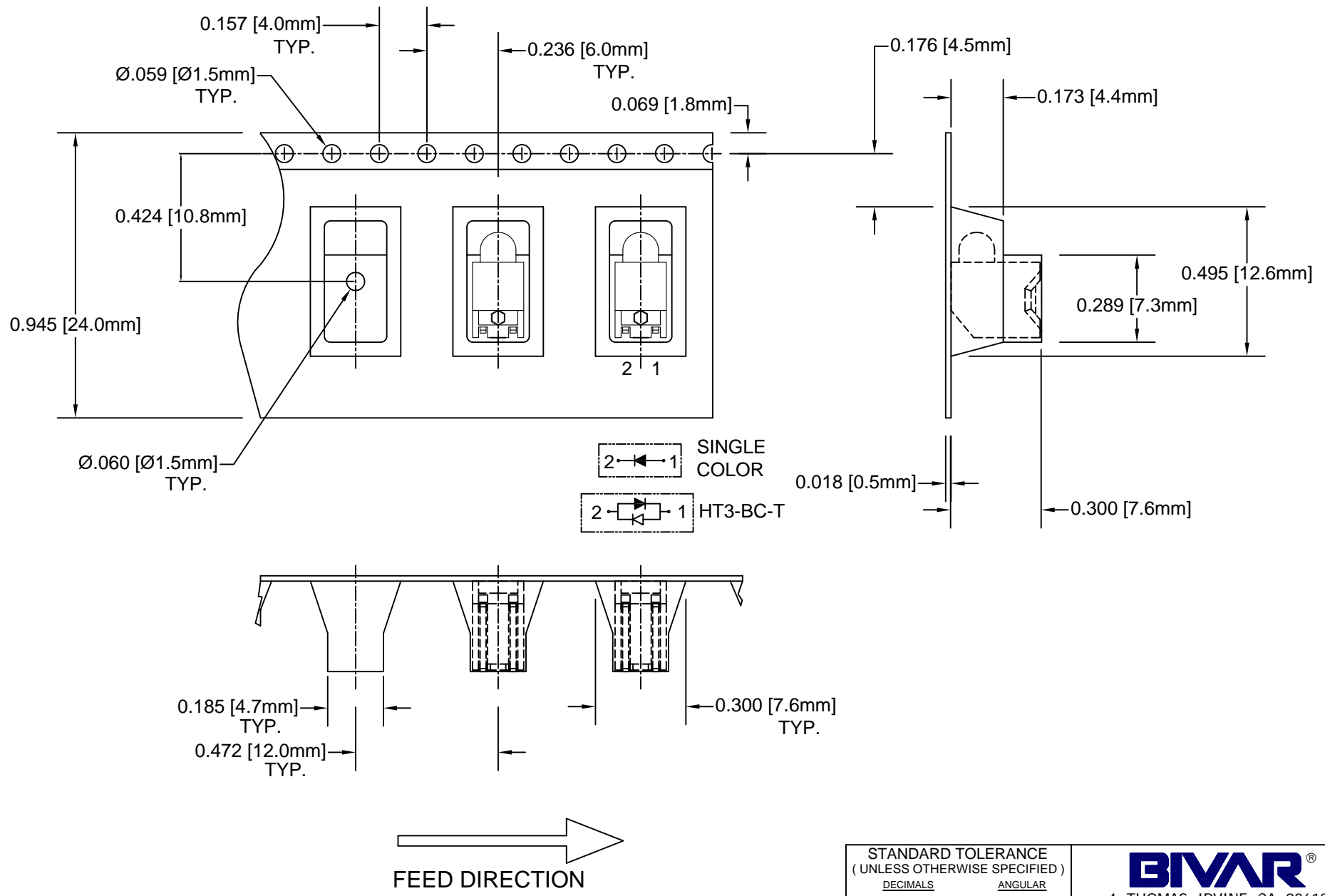
Assy P/N	Emitted Color	Peak Wave Length λ_p (nm)	Lens Appearance	Absolute Max. Ratings			Vf (V)		Iv (mcd)	Viewing Angle $2\theta_{1/2}$ (Deg)	LED P/N
				Pd (mW)	If (mA)	Peak If (mA)	TYP	MAX	TYP		
STANDARD SINGLE COLOR LED ASSEMBLIES (20mA)											
HT3-BLU-T	BLUE	430	DIFFUSED	150	25	70	4.0	4.5	10	40	BDL-1358
HT3-GRN-T	GREEN	568		80	30	150	2.1	2.8	25	40	BDL-1355
HT3-RED-T	HE RED	625		80	30	150	2.0	2.8	30	40	BDL-1356
HT3-YEL-T	YELLOW	590		85	30	150	2.0	2.8	20	40	BDL-1357
STANDARD BI-COLOR LED ASSEMBLIES (20mA)											
HT3-BC-T	RED	625	WHITE DIFFUSED	80	30	150	2.0	2.8	6	45	BDL-1351
	GREEN	568		80	30	150	2.1	2.8	6		

CONVECTIVE REFLOW SOLDERING PROFILE



STANDARD TOLERANCE (UNLESS OTHERWISE SPECIFIED) DECIMALS ANGULAR		BIVAR [®] 4 THOMAS, IRVINE, CA. 92618 TEL: (949) 951-8808 FAX: (949) 951-3974	
		TITLE: T1 (3mm) SMT 90° SURFACE MOUNT LED, TAPE AND REEL	
DESIGNED: R. Paje	DATE: 04/26/10	PART NO: HT3-XXX-T	REVISION: C
CHECKED: T. Yin	DATE: 04/26/10	CAGE CODE : 32559	SHEET # 2 OF 3
CAD GENERATED DOCUMENT. DO NOT MEASURE DRAWING.			

REV.	DESCRIPTION	DATE	APPROVED
	SEE SHEET #1		



NOTES:
 2. UNLESS OTHERWISE SPECIFIED, PACKAGING TO COMPLY WITH EIA-481-D.
 1. 750 pcs PER REEL

STANDARD TOLERANCE (UNLESS OTHERWISE SPECIFIED)		BIVAR®	
DECIMALS	ANGULAR	4 THOMAS, IRVINE, CA. 92618	
.X ± .1	X° ± 1°	TEL: (949) 951-8808 FAX: (949) 951-3974	
.XX ± .02		TITLE: T1 (3mm) SMT 90° SURFACE MOUNT LED, TAPE AND REEL	
.XXX ± .010		PART NO: HT3-XXX-T	REVISION: C
DESIGNED: R. Paje	DATE: 04/26/10	CAGE CODE : 32559	SHEET # 3 OF 3
CHECKED: T. Yin	DATE: 04/26/10	CAD GENERATED DOCUMENT. DO NOT MEASURE DRAWING.	