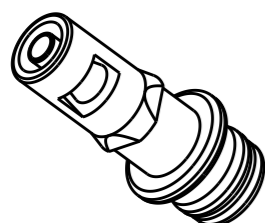


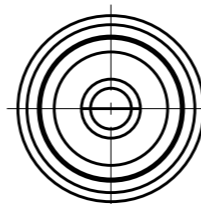
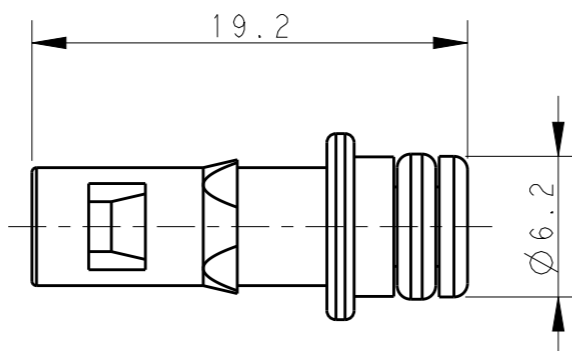
REVISIONS

P	LTR	DESCRIPTION	DATE	DWN	APVD
	A	INITIAL	10MAR2017	RL	CW

T2090002101-001 Pneu-c-M1.6



SCALE 2:1



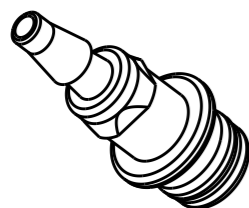
NOTES:

- MATERIAL: PC;  
SEALING MATERIAL: RUBBER
- TUBE ID:  
- 1.6 / 3.0 / 4.0mm  
(MATED WITH T2111032301-000 HMN-PA3)  
- 6.0mm (MATED WITH T2111022301-000 HMN-PA2)

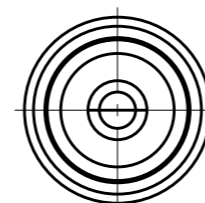
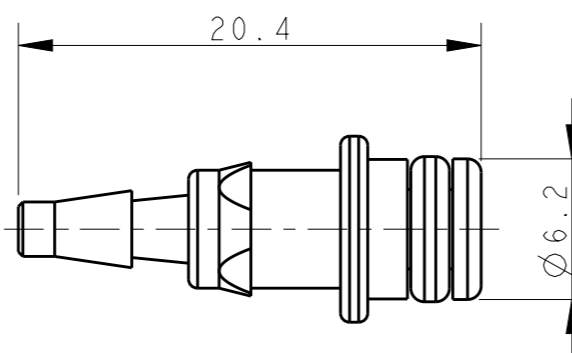
注释:

- 材料: PC;  
密封材料: 橡胶
- 导管内径:  
- 1.6 / 3.0 / 4.0mm  
(与T2111032301-000 HMN-PA3配合)  
- 6.0mm (与T2111022301-000 HMN-PA2配合)

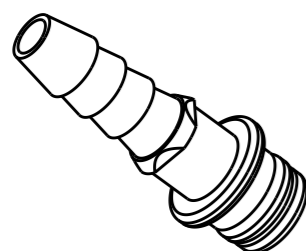
T2090002101-002 Pneu-c-M3.0



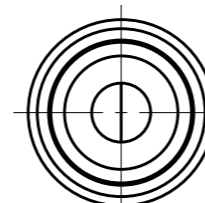
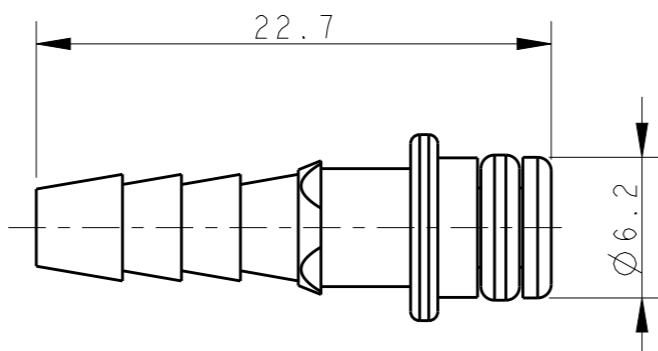
SCALE 2:1



T2090002101-003 Pneu-c-M4.0



SCALE 2:1



T2090002101-001	Pneu-c-M1.6	Pneu-c $\varnothing$ 1.6 PIN CONTACT Pneu-c $\varnothing$ 1.6公针	1.6
T2090002101-002	Pneu-c-M3.0	Pneu-c $\varnothing$ 3.0 PIN CONTACT Pneu-c $\varnothing$ 3.0公针	3.0
T2090002101-003	Pneu-c-M4.0	Pneu-c $\varnothing$ 4.0 PIN CONTACT Pneu-c $\varnothing$ 4.0公针	4.0
PART NUMBER 料号	PART DESCRIPTION 描述		TUBE ID 导管内径( $\varnothing$ /mm)

THIS DRAWING IS A CONTROLLED DOCUMENT.

DIMENSIONS:	TOLERANCES UNLESS OTHERWISE SPECIFIED:
mm	
	0 PLC $\pm$ -
	1 PLC $\pm$ -
	2 PLC $\pm$ -
	3 PLC $\pm$ -
	4 PLC $\pm$ -
	ANGLES $\pm$ -
MATERIAL	FINISH
-	-
-	-

DWN	10MAR2017
ROY LIU	
CHK	10MAR2017
KYLE ZENG	
APVD	10MAR2017
CHRIS WANG	
PRODUCT SPEC	-
APPLICATION SPEC	-
WEIGHT	-
CUSTOMER DRAWING	

**STE** TE Connectivity

NAME Pneu-c-MXX

SIZE	CAGE CODE	DRAWING NO	RESTRICTED TO
A3	-	©-T209000210100X	-

SCALE 3:1 SHEET 1 OF 2 REV A

4

3

2

1

THIS DRAWING IS UNPUBLISHED.

RELEASED FOR PUBLICATION

20

© COPYRIGHT 20

BY -

ALL RIGHTS RESERVED.

REVISIONS

P	LTR	DESCRIPTION	DATE	DWN	APVD
-		SEE SHEET 1	-	-	-

T2090002101-004 Pneu-c-M6.0

SCALE 2:1

NOTES:  
SEE SHEET 1

T2090002101-004	Pneu-c-M6.0	Pneu-c Ø6.0 PIN CONTACT Pneu-c Ø6.0公针	6.0
PART NUMBER 料号	PART DESCRIPTION 描述		TUBE ID 导管内径(Ø/mm)

THIS DRAWING IS A CONTROLLED DOCUMENT.		DWN ROY LIU 10MAR2017				
DIMENSIONS: mm		CHK KYLE ZENG 10MAR2017			NAME Pneu-c-MXX	
		APVD CHRIS WANG 10MAR2017				
TOLERANCES UNLESS OTHERWISE SPECIFIED:		PRODUCT SPEC	SIZE	CAGE CODE	DRAWING NO	RESTRICTED TO
0 PLC ±-		-	A3	-	©-T209000210100X	-
1 PLC ±-		APPLICATION SPEC	SCALE 3:1 SHEET 2 OF 2 REV A			
2 PLC ±-		-	CUSTOMER DRAWING			
3 PLC ±-		WEIGHT	-			
4 PLC ±-						
ANGLES ±-						
FINISH						
-						
-						

1470-19 (3/13)