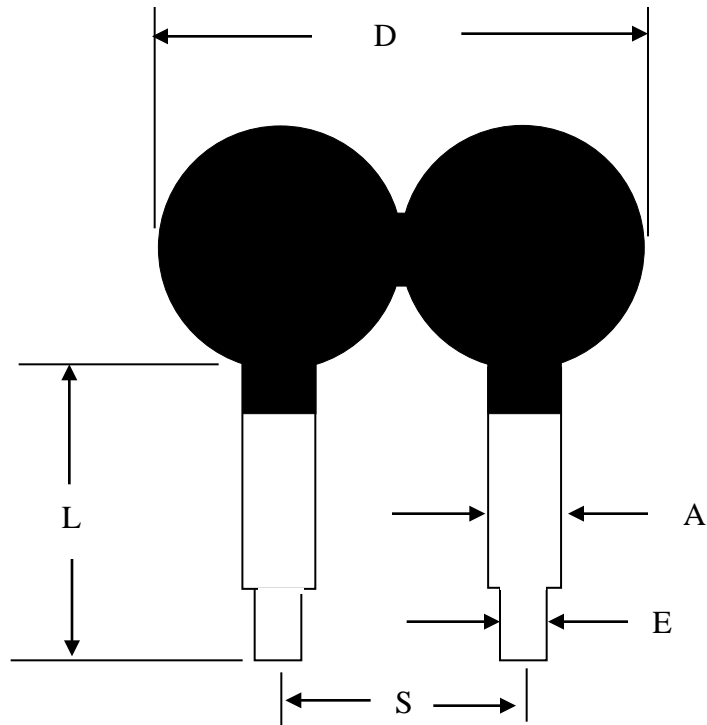
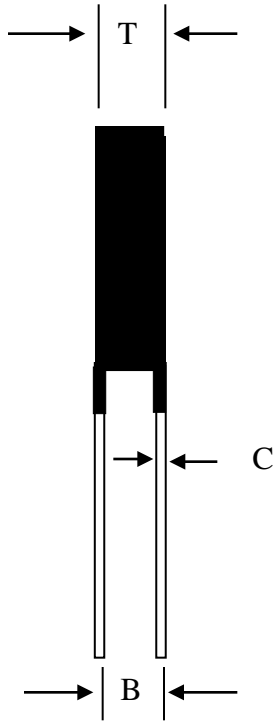


Part Number: MM35 1R550-DIN



Electrical Specifications:

Mechanical Specifications:

Resistance @ 25°C	1.5 Ω ± 25 %
Max Steady State Current Up to 65°C	50.0 A
Max recommended energy rating (Joules)	1200.0 Joules
Rhot @100% Steady State Current	0.010Ω
Rhot @75% Steady State Current	0.015Ω
Rhot @50% Steady State Current	0.030Ω
Rhot @25% Steady State Current	0.095Ω
Body Temperature @ 100% Current rating	208°C
Max Recommended Voltage	680V
Material Type	B
Max Power	38.4W

D	68.0mm Max
T	8.5mm Max
S	34.0mm Nom
L	38.5 mm Nom
A (Lead Width)	9.6mm Nom
B	6.0mm Nom
C (Lead Thickness)	0.8mm Nom
E	5.7mm Nom

Note: 35DM3R0-X

Ametherm, Inc. 961 Fairview Drive Carson City, NV 89701
Telephone: (800) 808-2434 (775) 884-2434 Fax: (775) 884-0670
www.ametherm.com