

MATERIAL NO.	ENGINEERING NO.	FINISHED LENGTH	REF. CABLE
1300680103	TC40301A56M010G	3' 3" +2.19"-0 (1M +55.6mm-0)	A56: 14 AWG (.585 OD)
1300680111	TC40301K27M010G	3' 3" +2.19"-0 (1M +55.6mm-0)	
1300680112	TC40301K27M040G	13' 1" +6.50"-0 (4M +165mm-0)	K27: 14 AWG (.400 OD)
1300680114	TC40301K27M035G	11' 6" +3.50" (3.5M +88.9mm-0)	

B2

CABLE LENGTH TOLERANCES

>3M (1FT): +19mm-0 [+75in-0]

.3 - .9M (1 - 3FT): +44.5mm-0 [+1.75in-0]

.9 - 1.8M (3 - 6FT): +55.6mm-0 [+2.19in-0]

1.8 - 3.7M (6 - 12FT): +88.9mm-0 [+3.50in-0]

3.7 - 7.3M (12 - 24FT): +165.1mm-0 [+6.50in-0]

7.3-14.6M (24 - 48FT): +317.5mm-0 [+12.50in-0]

14.6 - 30.5M (48-100FT): +622.3mm-0 [+24.50in-0]

OVER 30M (100FT) +2% OF FINISHED LENGTH

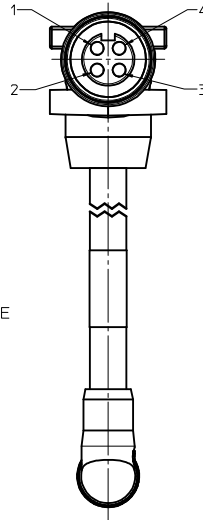
NOTES:

- 1) MATERIAL: SEE TABLE
- 2) FINISHES: SEE TABLE
- 3) LABEL IS MARKED WITH P/N, DATE CODE, VOLTAGE & AMPERAGE
- 4) MATES WITH: MINI CHANGE ALT-KEY & OC 4 POLE CONNECTORS
- 5) ELECTRICAL RATINGS:
MAX VOLTAGE: 600V AC/DC PER UL 2237
480V AC/DC PER IEC 60664
- 6) ENVIRONMENTAL RATINGS:
PROTECTION IP67
TEMPERATURE RANGE: -20°C TO 90°C
- 7) PACKAGING:
ASSEMBLIES ARE BAGGED SEPERATLY IN POLY BAGS
WITH BAR CODE LABEL ATTACHED TO OUTSIDE OF BAG.
- 8) ASSEMBLY IS RoHS COMPLIANT BY EXEMPTION
- 9) AGENCY CERTIFICATIONS:
UL 2237 LISTED, FILE E258922

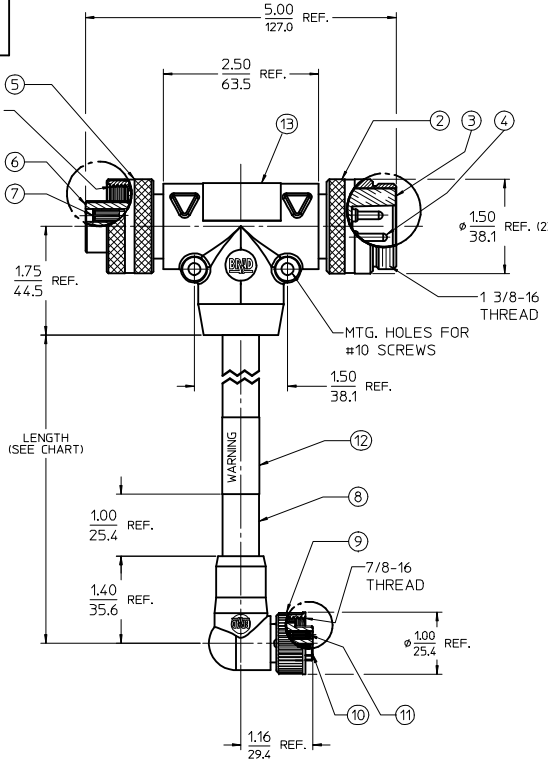
TABLE

ITEM	DESCRIPTION	MATERIAL	FINISH
13	P/N LABEL	VINYL	BLACK/YELLOW
12	WARNING LABEL	VINYL	BLACK/ORANGE
11	MC SOCKET CONTACT	COPPER ALLOY	GOLD PLATED
10	MC FEMALE INSERT	PVC	BLACK
9	MC COUPLING NUT	ZINC ALLOY	BLACK E-COAT
8	CABLE, SEE CHART	SEE P/N LEGEND	SEE P/N LEGEND
7	QC SOCKET/PIN CONTACT	COPPER ALLOY	GOLD PLATED
6	QC FEMALE INSERT	PVC	BLACK
5	QC FEMALE COUPLING NUT	ALUMINUM	CLEAR ANODIZE
4	QC SOCKET/PIN CONTACT-GRND	COPPER ALLOY	GOLD PLATED
3	QC MALE INSERT	PVC	BLACK
2	QC MALE COUPLING NUT	ALUMINUM	CLEAR ANODIZE
1	OVERMOLD(S)	PVC	BLACK

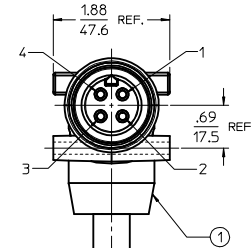
QC FEMALE FACE VIEW



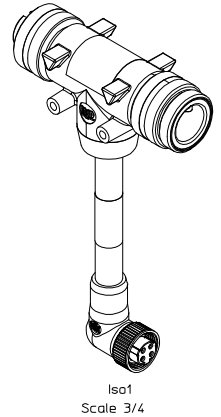
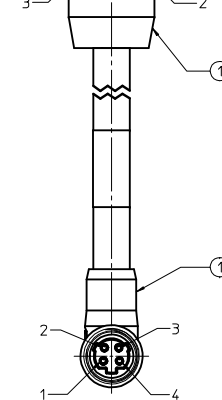
1 3/8-16
THREAD



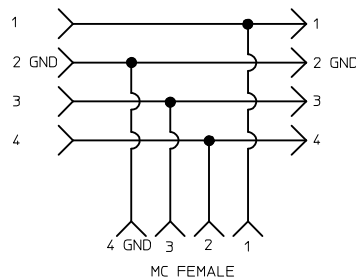
QC MALE FACE VIEW



MC FEMALE FACE VIEW
(ALT KEY)



QC FEMALE



MC FEMALE
WIRE DIAGRAM

CABLE P/N LEGEND

TC40301K27M010G

COLOR: BLACK
FINISHED LENGTH
M001= 0.1 METER
M010= 1 METER
M100= 10 METER

CABLE TYPE:
A56 - 14 AWG TC-ER/STOOW, BLACK PVC
K27 - 14 AWG TC-ER, BLACK TPE HI-FLEX

QUALITY SYMBOLS	GENERAL TOLERANCES (UNLESS SPECIFIED)		DIMENSION STYLE		SCALE	DESIGN UNITS	THIRD ANGLE PROJECTION
	mm	INCH	IN/MM		1:1	INCH	INCH
▽=0	4 PLACES	±---	±---	±---	DRAWN BY	DATE	TITLE
▽=0	3 PLACES	±---	±---	±---	RSTONE	2013/05/16	QC 4P TEE TO MC FEM 90D 14/4, ALT KEY
	2 PLACES	±---	±---	±---	CHECKED BY	DATE	
	1 PLACE	±---	±---	±---	B RUPERT		
	0 PLACE	±---	±---	±---	APPROVED BY	DATE	
	ANGULAR ±---				BWOODMAN	2013/06/21	
DRAFT WHERE APPLICABLE MUST REMAIN WITHIN DIMENSIONS				MATERIAL NO.	DOCUMENT NO.		
				SEE CHART	SD-130068-019		
				SIZE	SHEET NO.		
				D	1 OF 1		