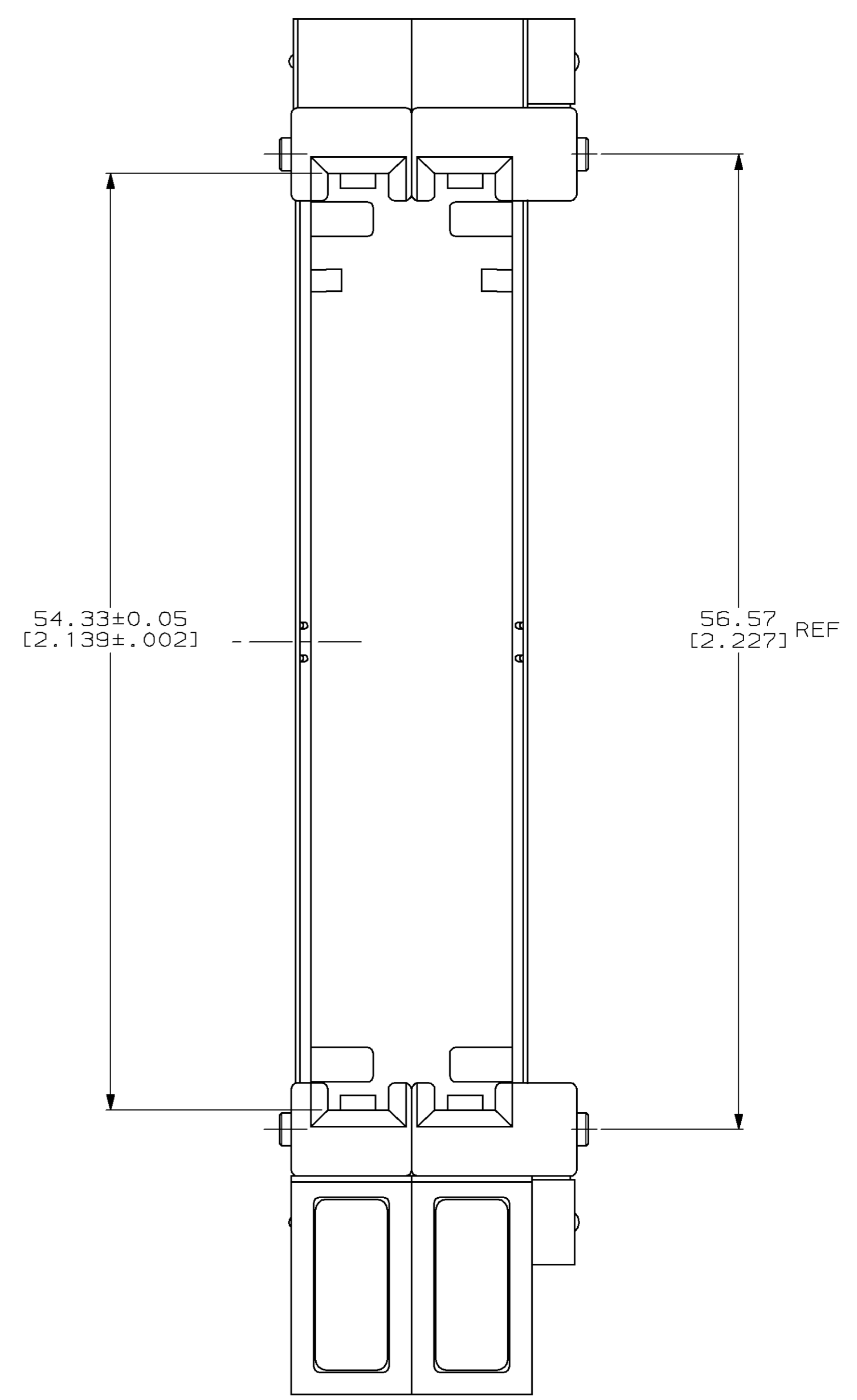
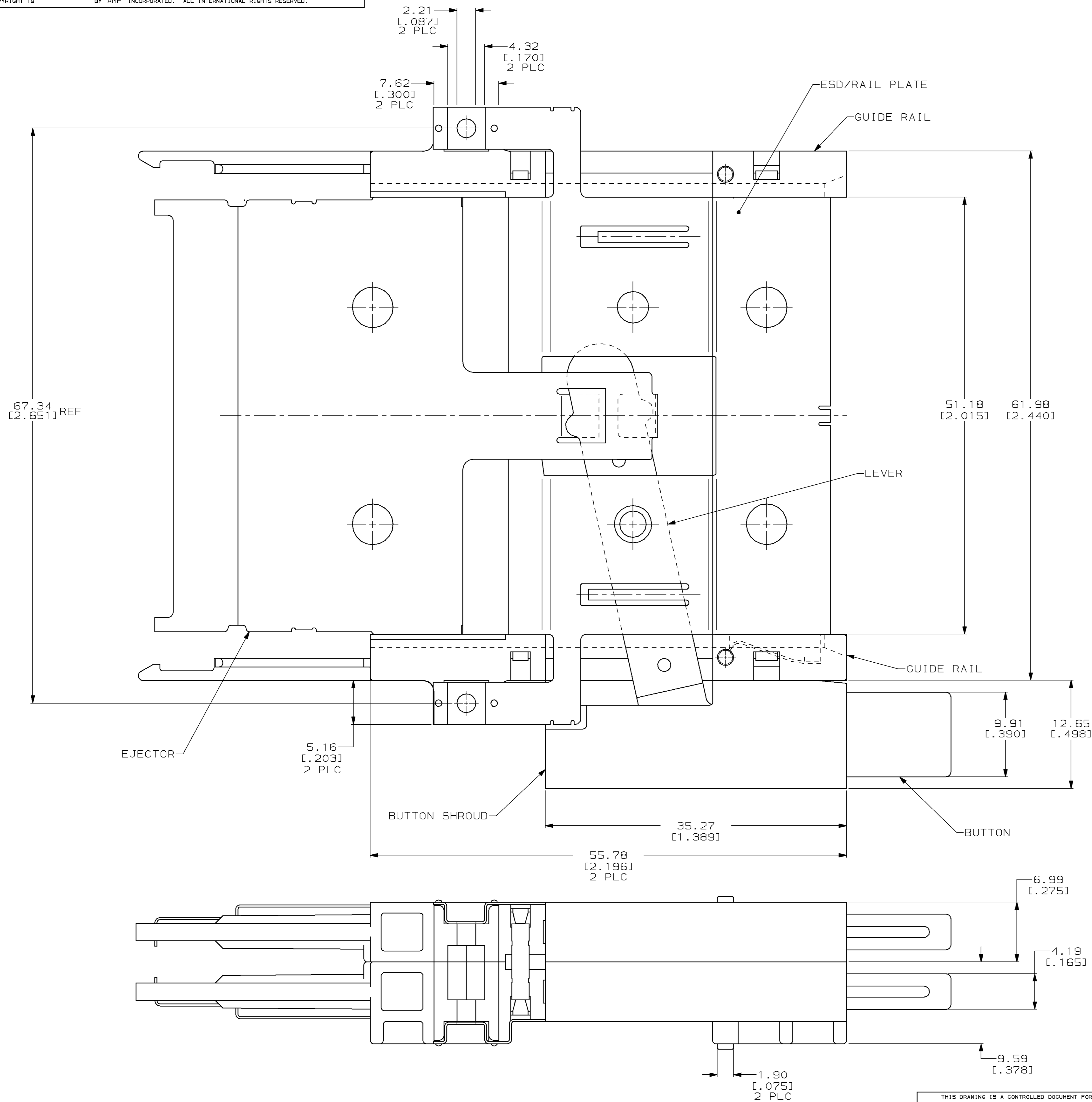


LOC		DIST		P		F		ZONE		LTR		REVISIONS			
AD	39											DESCRIPTION	DATE	APPD	
												A	REV PER EC 0010-1581-95	11/18/96	VR
												B	REV PER 0410-0015-96	12/26/96	VR

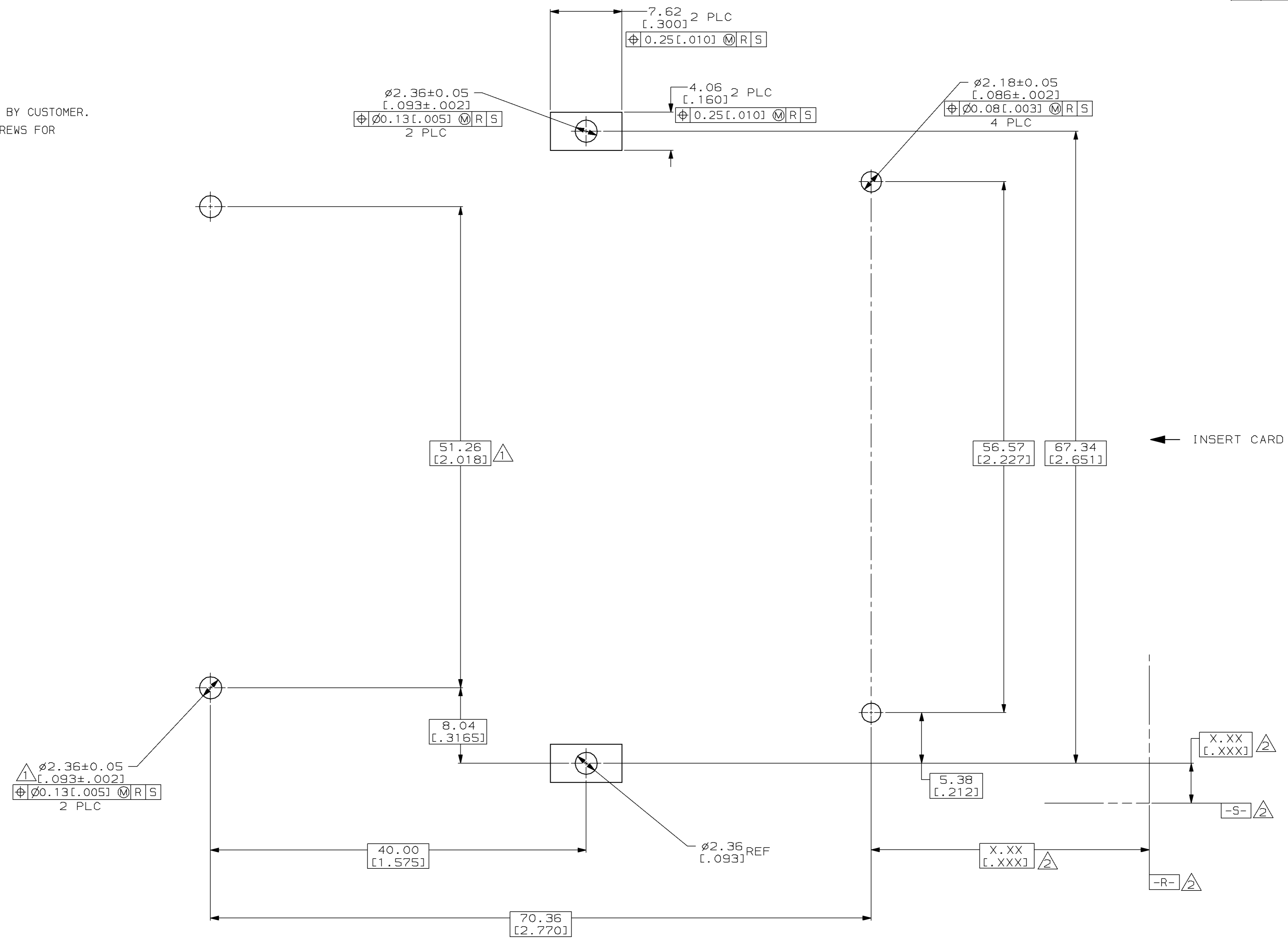


DO NOT SCALE PRINT. UNLESS SPECIFIED DIMENSIONS IN mm [INCHES] TOLERANCES ON: 2 PLC DEC ± 0.13 [.005] 3 PLC DEC ± - ANGLES ± -		DR 11/29/93 J MOSER	146048-1 PART NO		
MATERIAL GUIDES, SHROUDS & BUTTON: LCP, COLOR; BLACK EJECTOR, RAIL PLATE & LEVER: STAINLESS STEEL	CHK 11/29/93 B ELICKER	APPD 11/29/93 B ELICKER	AMP Incorporated Harrisburg, PA 17105-3608		
FINISH -	APPD 11/29/93 B ELICKER	PRODUCT SPEC -	NAME STACKED EJECTOR ASSEMBLY, LEFT SIDE BUTTONS, RAISED & STANDARD HEIGHT, AMP MEMORY CARD		
APPLY SPEC -	APPD 11/29/93 B ELICKER	APPLICATION SPEC -	SIZE D	CAGE CODE 00779	DRAWING NO C-146048
WEIGHT 34.2 GRAMS	SCALE 4:1	SHEET 1 OF 2		CUSTOMER DRAWING	

THIS DRAWING IS A CONTROLLED DOCUMENT FOR AMP INCORPORATED. IT IS SUBJECT TO CHANGE AND THE CONTROLLING ENGINEERING ORGANIZATION SHOULD BE CONTACTED FOR THE LATEST REVISION.

LOC		DIST		P		ZONE		LTR		REVISIONS			
AD	39									DESCRIPTION	DATE	APPD	
										B	SEE SHEET ONE	-	-

1. HEADER MOUNTING HOLE LOCATIONS
2. DATUMS & BASIC DIMENSIONS ESTABLISHED BY CUSTOMER.
3. ASSEMBLY REQUIRES USE OF 2-SIZE 2M SCREWS FOR FASTENING TO PRINTED CIRCUIT BOARD.



RECOMMENDED BOARD LAYOUT

DO NOT SCALE PRINT.
 UNLESS SPECIFIED
 DIMENSIONS IN mm [INCHES]
 TOLERANCES ON:
 2 PLC DEC ± 0.13 [.005]
 3 PLC DEC ± -
 ANGLES ± -

DR	11/29/93	J MOSER
CHK	11/29/93	B ELICKER
APPD	11/29/93	B ELICKER
APPD	11/29/93	B ELICKER
PRODUCT SPEC	-	
APPLICATION SPEC	-	
WEIGHT	-	

PART NO		
AMP AMP Incorporated Harrisburg, PA 17105-3608		
NAME		
STACKED EJECTOR ASSEMBLY, LEFT SIDE BUTTONS, RAISED & STANDARD HEIGHT, AMP MEMORY CARD		
SIZE	CAGE CODE	DRAWING NO
D	00779	C-146048
SCALE	4:1	SHEET
		20F2

THIS DRAWING IS A CONTROLLED DOCUMENT FOR AMP INCORPORATED. IT IS SUBJECT TO CHANGE AND THE CONTROLLING ENGINEERING ORGANIZATION SHOULD BE CONTACTED FOR THE LATEST REVISION.