

THIS DRAWING IS UNPUBLISHED.

RELEASED FOR PUBLICATION

ALL RIGHTS RESERVED.

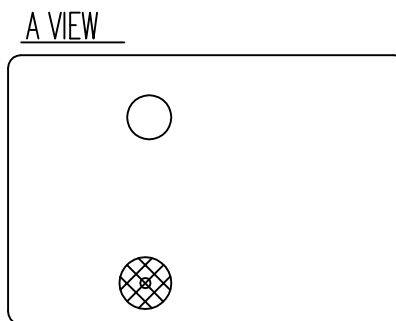
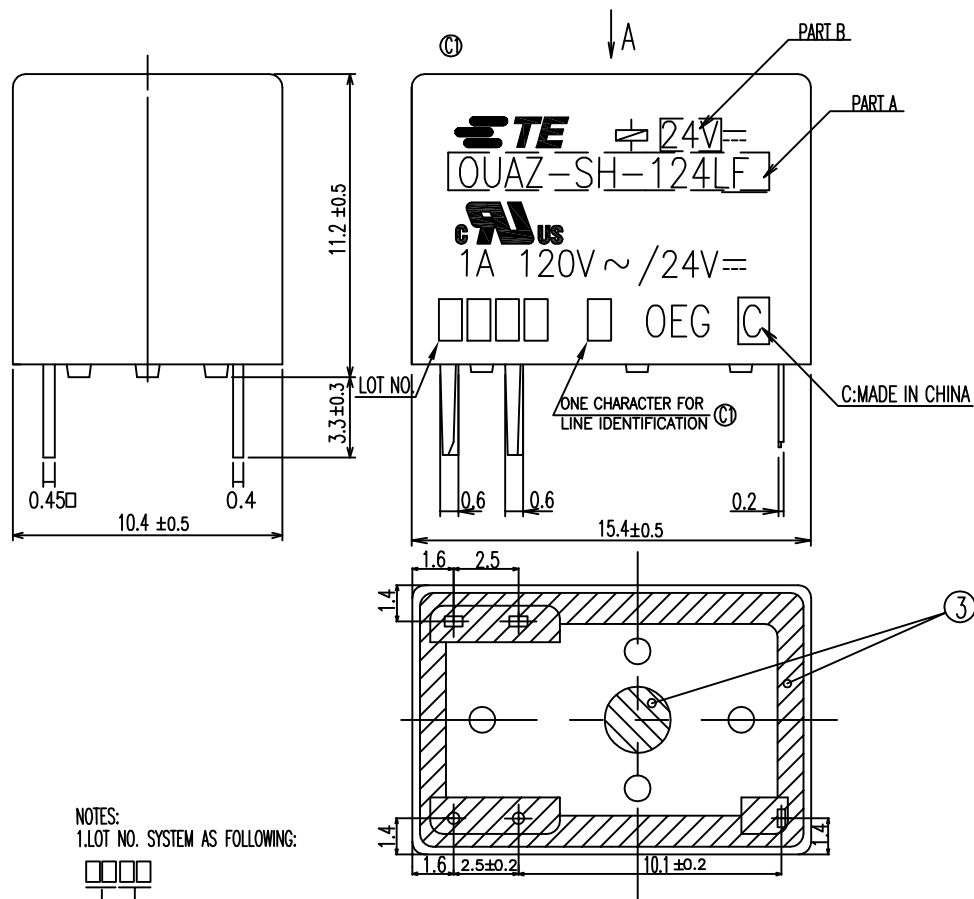
© COPYRIGHT - By TE CONNECTIVITY

LOC
HB

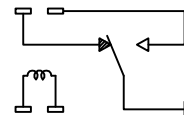
DIST

REVISIONS

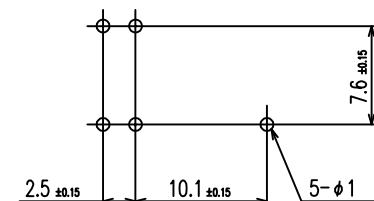
P	LTR	DESCRIPTION	DATE	DWN	APVD
C1		1.CHANGE TE LOGO 2.ADD LINE IDENTIFICATION 3.PN OBSOLETE 4.TERMINALS TOLERANCE CLARIFICATION	ECO-11-018616	22-AUG-12	S.P B.H.Y



WIRING DIAGRAM



PCB LAYOUT (GENERAL TOLERANCE ± 0.15)



NOTES:
1.LOT NO. SYSTEM AS FOLLOWING:



WEEK
YEAR

- ① 2.TERMINAL DIMENSIONS BEFORE SOLDER DIP
- ① 3.FOR THE TIN-PLATING OF THE PINS:
+0.1mm FOR WIDTH, THICKNESS AND DIAMETER
+0.5mm FOR LENGTH

THIS DRAWING IS A CONTROLLED DOCUMENT.		DWN STEVEN.ZHOU	TE Connectivity	
		CHK BANGHUA.YU		
DIMENSIONS: mm		APVD SUNNY.ZHANG	NAME OUAZ D/L CLASS F STANDARD CUSTOMER DRAWING	
TOLERANCES UNLESS OTHERWISE SPECIFIED:		PRODUCT SPEC -	RESTRICTED TO -	
0 PLC ± - 1 PLC ± - 2 PLC ± - 3 PLC ± - 4 PLC ± - ANGLES ± -		APPLICATION SPEC -	SIZE A3	CAGE CODE 00779
MATERIAL -		WEIGHT -	DRAWING NO C=1721684	
		CUSTOMER DRAWING		SCALE 5:1
		SHEET 1 OF 2		REV C1

THIS DRAWING IS UNPUBLISHED.

RELEASED FOR PUBLICATION

-. - .

© COPYRIGHT - By TE CONNECTIVITY

ALL RIGHTS RESERVED.

LOC HB DIST

REVISIONS

P	LTR	DESCRIPTION	DATE	DWN	APVD
-	-	SEE SHEET 1	-	-	-

OBSOLETE	2-1721684-2	OJAZ-SS-124LF 900	1	24V	OJAZ-SS-124LF	v
OBSOLETE	2-1721684-1	OJAZ-SS-124DF 900	1	24V	OJAZ-SS-124DF	u
OBSOLETE	2-1721684-0	OJAZ-SS-112LF 900	1	12V	OJAZ-SS-112LF	t
OBSOLETE	1-1721684-9	OJAZ-SS-112DF 900	1	12V	OJAZ-SS-112DF	s
OBSOLETE	1-1721684-8	OJAZ-SS-109LF 900	1	9V	OJAZ-SS-109LF	r
OBSOLETE	1-1721684-7	OJAZ-SS-109DF 900	1	9V	OJAZ-SS-109DF	q
OBSOLETE	1-1721684-6	OJAZ-SS-106LF 900	1	6V	OJAZ-SS-106LF	p
OBSOLETE	1-1721684-5	OJAZ-SS-106DF 900	1	6V	OJAZ-SS-106DF	o
OBSOLETE	1-1721684-4	OJAZ-SS-105LF 900	1	5V	OJAZ-SS-105LF	n
OBSOLETE	1-1721684-3	OJAZ-SS-105DF 900	1	5V	OJAZ-SS-105DF	m
OBSOLETE	1-1721684-2	OJAZ-SS-103DF 900	1	3V	OJAZ-SS-103DF	l
STATUS	TE PART NO	DESCRIPTION	Q'TY	PART B	PART A	TYPE

Ⓢ

RELAY TYPE

OBSOLETE	1-17216814-1	OJAZ-SH-124LF 900	1	24V	OJAZ-SH-124LF	k
OBSOLETE	1-1721684-0	OJAZ-SH-124DF 900	1	24V	OJAZ-SH-124DF	j
OBSOLETE	1721684-9	OJAZ-SH-112LF 900	1	12V	OJAZ-SH-112LF	i
OBSOLETE	1721684-8	OJAZ-SH-112DF 900	1	12V	OJAZ-SH-112DF	h
OBSOLETE	1721684-7	OJAZ-SH-109LF 900	1	9V	OJAZ-SH-109LF	g
OBSOLETE	1721684-6	OJAZ-SH-109DF 900	1	9V	OJAZ-SH-109DF	f
OBSOLETE	1721684-5	OJAZ-SH-106LF 900	1	6V	OJAZ-SH-106LF	e
OBSOLETE	1721684-4	OJAZ-SH-106DF 900	1	6V	OJAZ-SH-106DF	d
OBSOLETE	1721684-3	OJAZ-SH-105LF 900	1	5V	OJAZ-SH-105LF	c
OBSOLETE	1721684-2	OJAZ-SH-105DF 900	1	5V	OJAZ-SH-105DF	b
OBSOLETE	1721684-1	OJAZ-SH-103LF 900	1	3V	OJAZ-SH-103LF	a
STATUS	TE PART NO	DESCRIPTION	Q'TY	PART B	PART A	TYPE

Ⓢ

RELAY TYPE

Ⓢ GENERAL TOLERANCE

Diagram Dimension	Tolerance
0.99mm max.	±0.1mm
1 - 2.99mm	±0.2mm
3mm min.	±0.3mm

UV RESIN	UV SEAL : 3056C (VENT HOLE)	12
EPOXY RESIN	SEAL: 2212E	11
POLYURETHANE COPPER WIRE	MAGNETIC WIRE	10
PBT	CASE	9
Cu ALLOY	MOVABLE SPRING	8
Cu ALLOY	B TERMINAL	7
Cu ALLOY	M TERMINAL	6
STEEL	ARMATURE	5
STEEL	CORE	4
STEEL	YOKE	3
C.P WIRE	COIL TERMINAL	2
PBT(70G33L)	BOBBIN	1
MATERIAL	DESCRIPTION	ITEM

THIS DRAWING IS A CONTROLLED DOCUMENT.		DWN STEVEN.ZHOU	TE TE Connectivity	
		CHK BANGHUA.YU		
DIMENSIONS: mm		APVD SUNNY.ZHANG	NAME OJAZ D/L CLASS F STANDARD CUSTOMER DRAWING	
TOLERANCES UNLESS OTHERWISE SPECIFIED: 0 PLC ± - 1 PLC ± - 2 PLC ± - 3 PLC ± - 4 PLC ± - ANGLES ± -		PRODUCT SPEC -	SIZE A3 CAGE CODE 00779 C=1721684	
MATERIAL -		APPLICATION SPEC -	RESTRICTED TO -	
FINISH -		WEIGHT -	SCALE 5:1 SHEET 2 OF 2 REV C1	
CUSTOMER DRAWING				