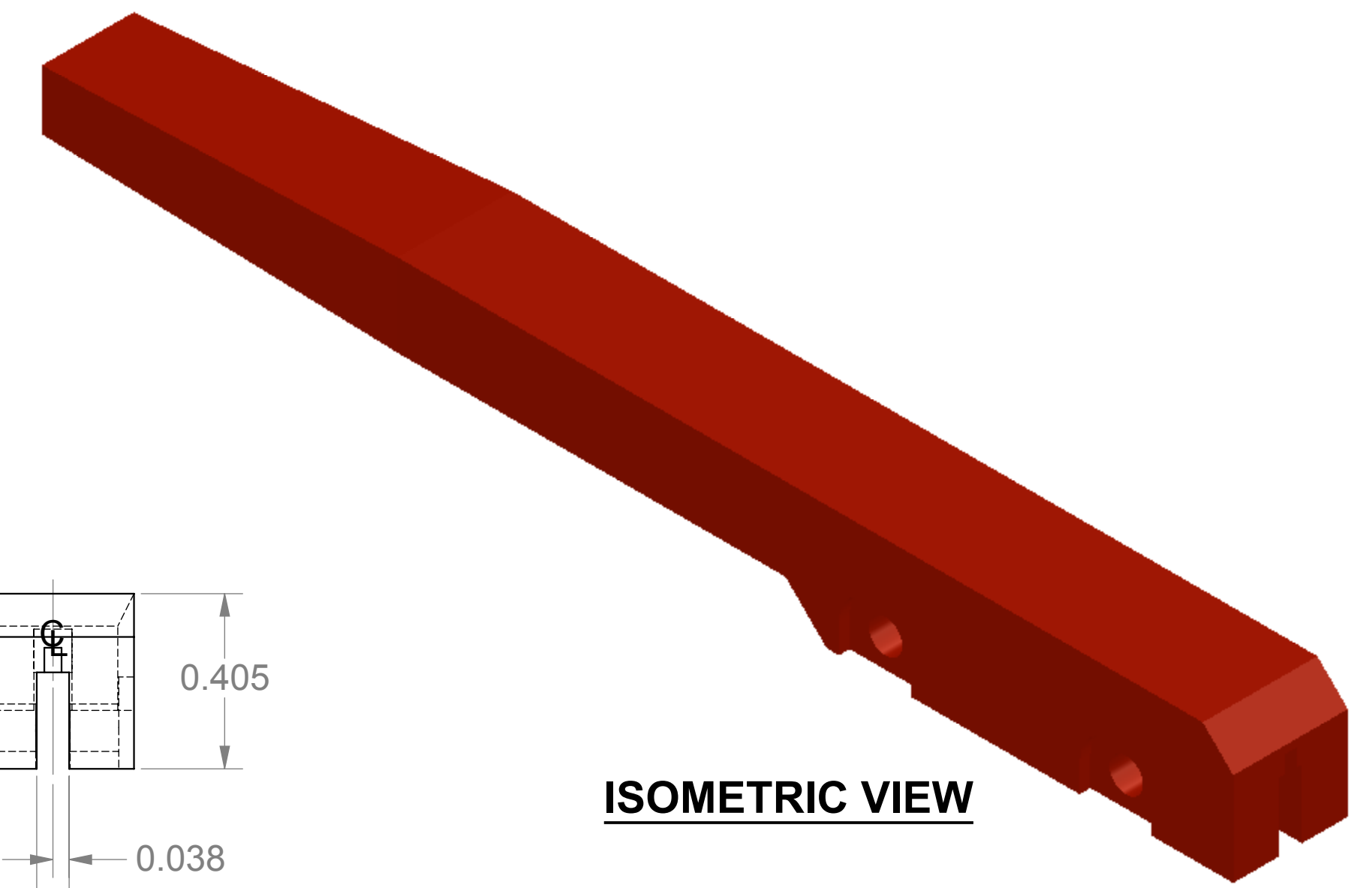
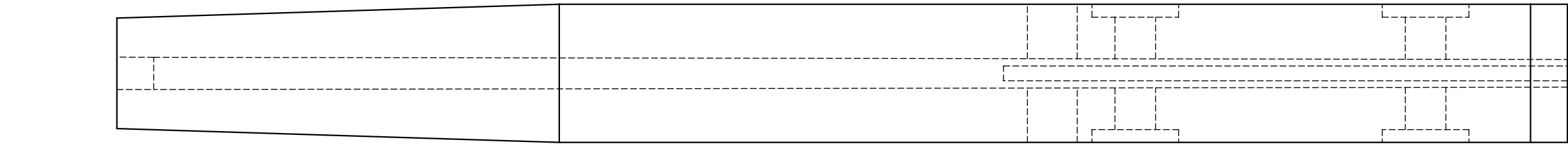
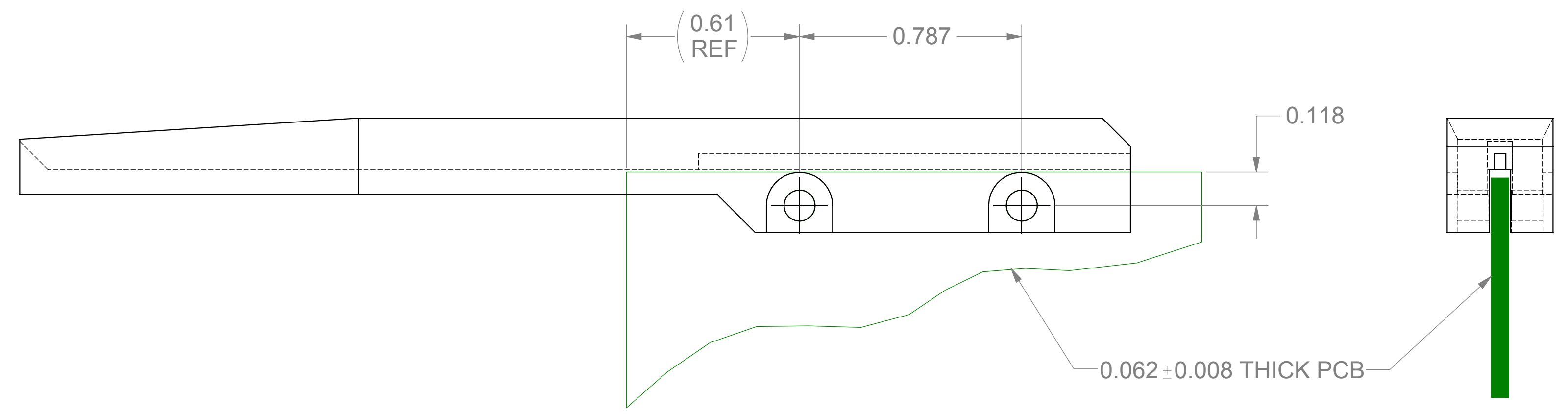
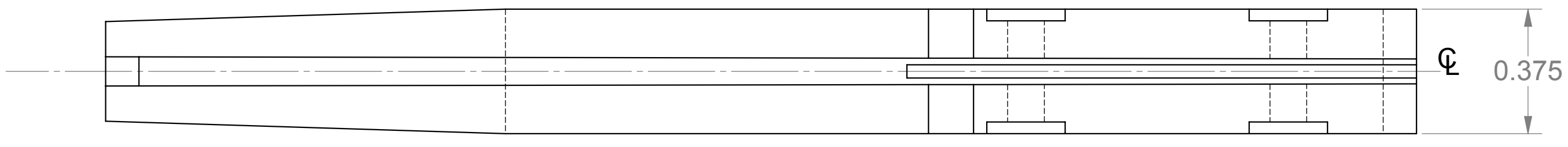
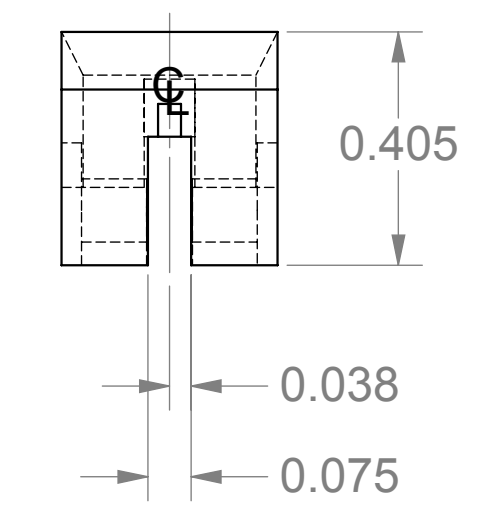
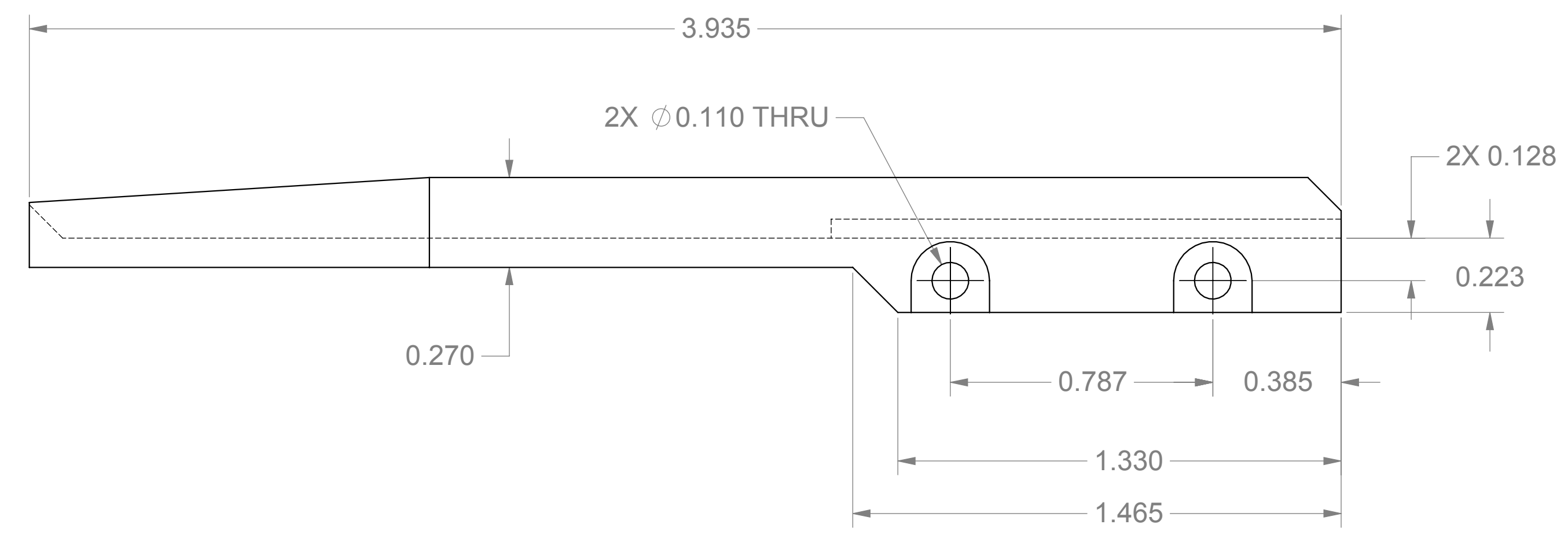


PROPRIETARY AND CONFIDENTIAL
 THE INFORMATION CONTAINED IN THIS DRAWING IS THE SOLE PROPERTY OF VECTOR ELECTRONICS & TECH., INC. ANY REPRODUCTION IN PART OR AS A WHOLE WITHOUT THE WRITTEN PERMISSION OF VECTOR ELECTRONICS & TECH., INC. IS PROHIBITED.

REVISIONS				
ZONE	REV	DESCRIPTION	DATE	APPROVED
ALL	A	INITIAL RELEASE	09/08/10	



ISOMETRIC VIEW



RECOMMENDED PCB MOUNTING

- 2. FLAME RATING : UL94-V0
- 1. MATERIAL : POLYBUTYLENE TEREPHTHALATE (PBT) POLYESTER RESIN, 30% GLASS

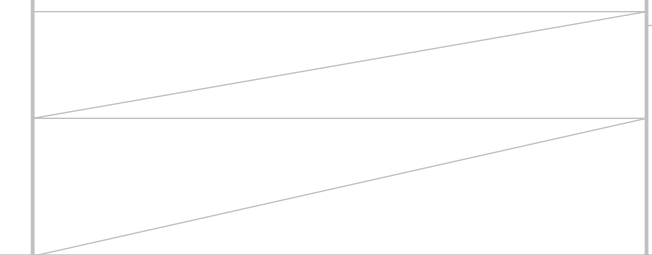
NOTES : UNLESS OTHERWISE SPECIFIED

UNLESS OTHERWISE SPECIFIED
 DIMENSIONS ARE IN INCHES
 TOLERANCES:
 DEC .X ±.050
 DEC .XX ±.030
 DEC .XXX ±.010
 FRACTIONS ±.050
 ANGLES ±1°

APPROVALS	NAME	DATE
DRAWN	TRUSHAR	09/08/10
CHECKED		
ENGINEER		
QA		

VECTOR 11115 VANOWEN ST.,
 NORTH HOLLYWOOD, CA 91605
 ELECTRONICS & TECHNOLOGY, INC. www.vectorelect.com

EXTENDER CARD BRACKET



THIRD ANGLE PROJECTION

SIZE	DWG. NO.	REV
D	5210211#	A
SCALE: 3:1	CAGE CODE: 82893	SHEET 1 OF 1