

4

3

2

1

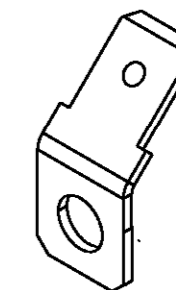
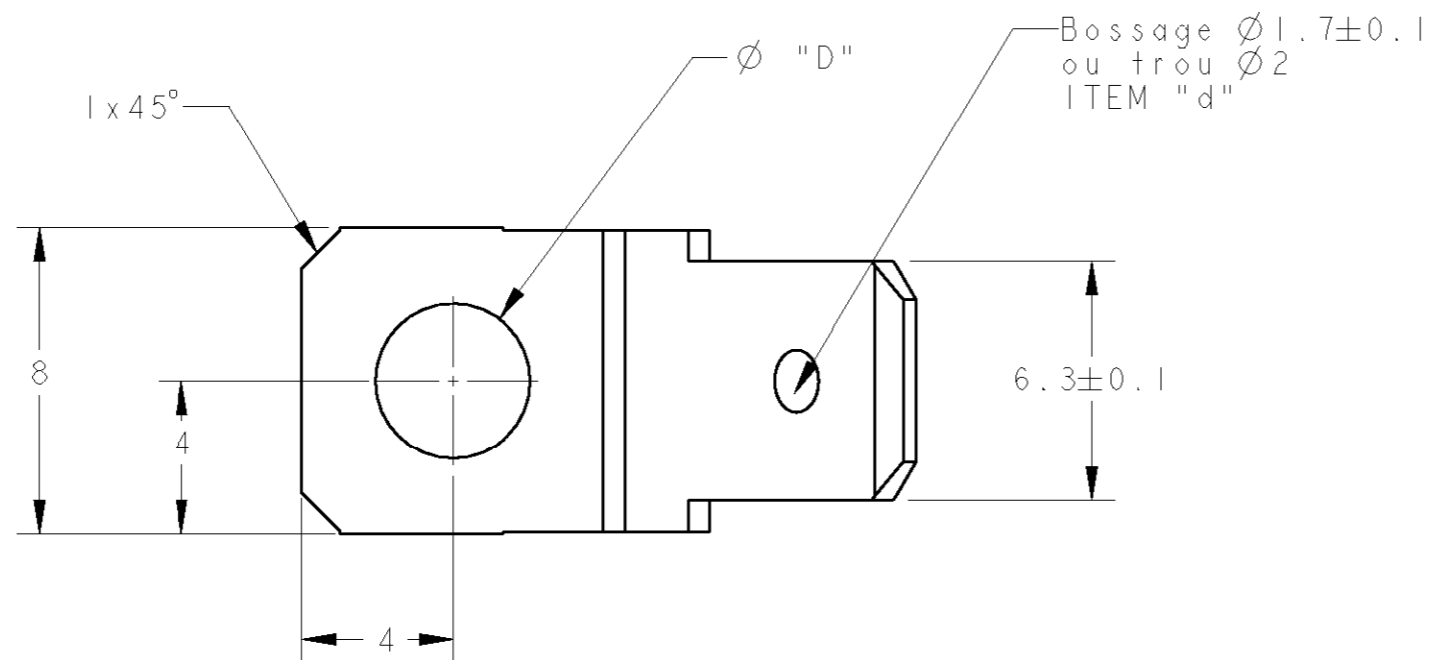
THIS DRAWING IS UNPUBLISHED.  
DIFFUSION RESTREINTE AMPRELEASED FOR PUBLICATION  
LIBRE A LA DIFFUSION 20

© COPYRIGHT BY

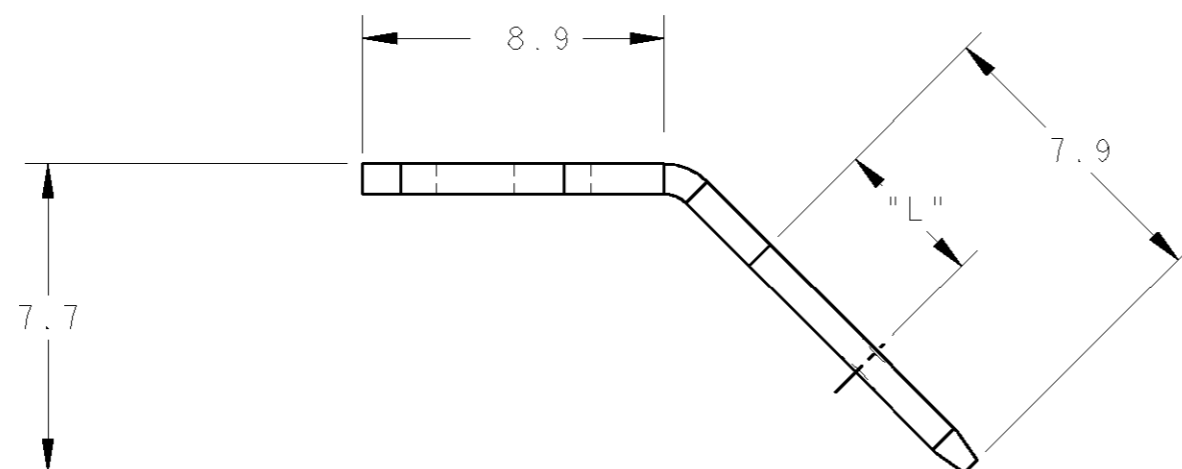
ALL RIGHTS RESERVED.  
TOUS DROITS RESERVESLOC  
FDIST  
7

REVISIONS

P	LTR REV	DESCRIPTION MODIFICATIONS	DATE	DWN DESS.	APVD APP.
	M1	REVISED PER ECO-11-005140	29APR11	RK	HMR



ECHELLE 2:1



141158-1	dore	4.1	3	bossage
141036-1	brut	3.4	5.2	trou
140829-2	etame	3.4	3	trou
140829-1	brut	3.4	3	trou
140814-2	etame	3.4	4.1	trou
140814-1	brut	3.4	4.1	trou
140856-2	etame	4.1	3.7	bossage
140856-1	brut	4.1	3.7	bossage
140759-1	nickele	4.1	5.2	bossage
140759-0	etame	4.1	5.2	bossage
140665-0	brut	4.1	5.2	bossage
140660-0	etame	4.1	3	bossage
140659-0	brut	4.1	3	bossage
140598-0	etame	4.1	4.1	bossage
140597-0	brut	4.1	4.1	bossage
Reference	Finition	"L"	"D"	"d"

DWN/DESSINE 30MARS98 O. LEMPEREUR			
CHK/VERIFIE G. ROBERT			
APVD/APPROUVE Y. PETRONIN		NAME TITRE	
PRODUCT SPEC SPEC. PRODUIT		FASTON TABS BENT 45 .250 series LANGUETTE POUR CLIPS	
APPLICATION SPEC SPEC. APPLICATION		-	
MATERIAL/MATIERE LAITON		RESTRICTED TO RESERVE A	
FINISH/FINITION Voir tableau		-	
DIMENSIONS: mm		-	
TOLERANCES UNLESS OTHERWISE SPECIFIED: TOLERANCES NON SPECIFIEES (SUIV NB DE DECIMALES): 0 PLC/DEC: ± 1 PLC/DEC: ±0.2 2 PLC/DEC: ± 3 PLC/DEC: ± 4 PLC/DEC: ± ANGLES ±30'		-	
		-	
WEIGHT MASSE APPROX.		-	
CUSTOMER DRAWING /PLAN CLIENT		UNIQUEMENT POUR REFERENCE	
SCALE ECHELLE 5:1		SHEET FEUILLE	
OF DE		REV M1	
SIZE FORMAT A3		CAGE CODE 00779	
DRAWING NO No PLAN C-140597		-	