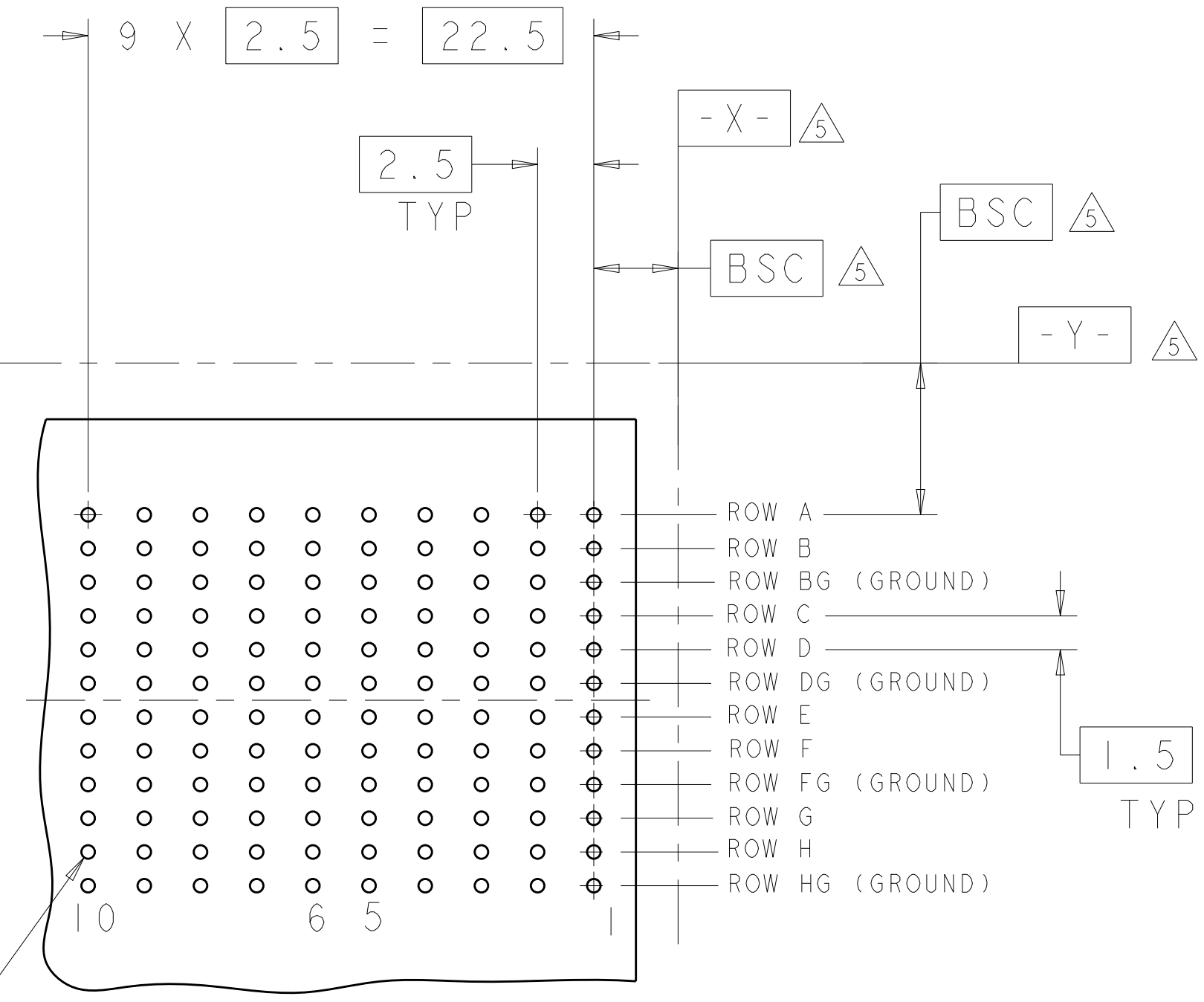
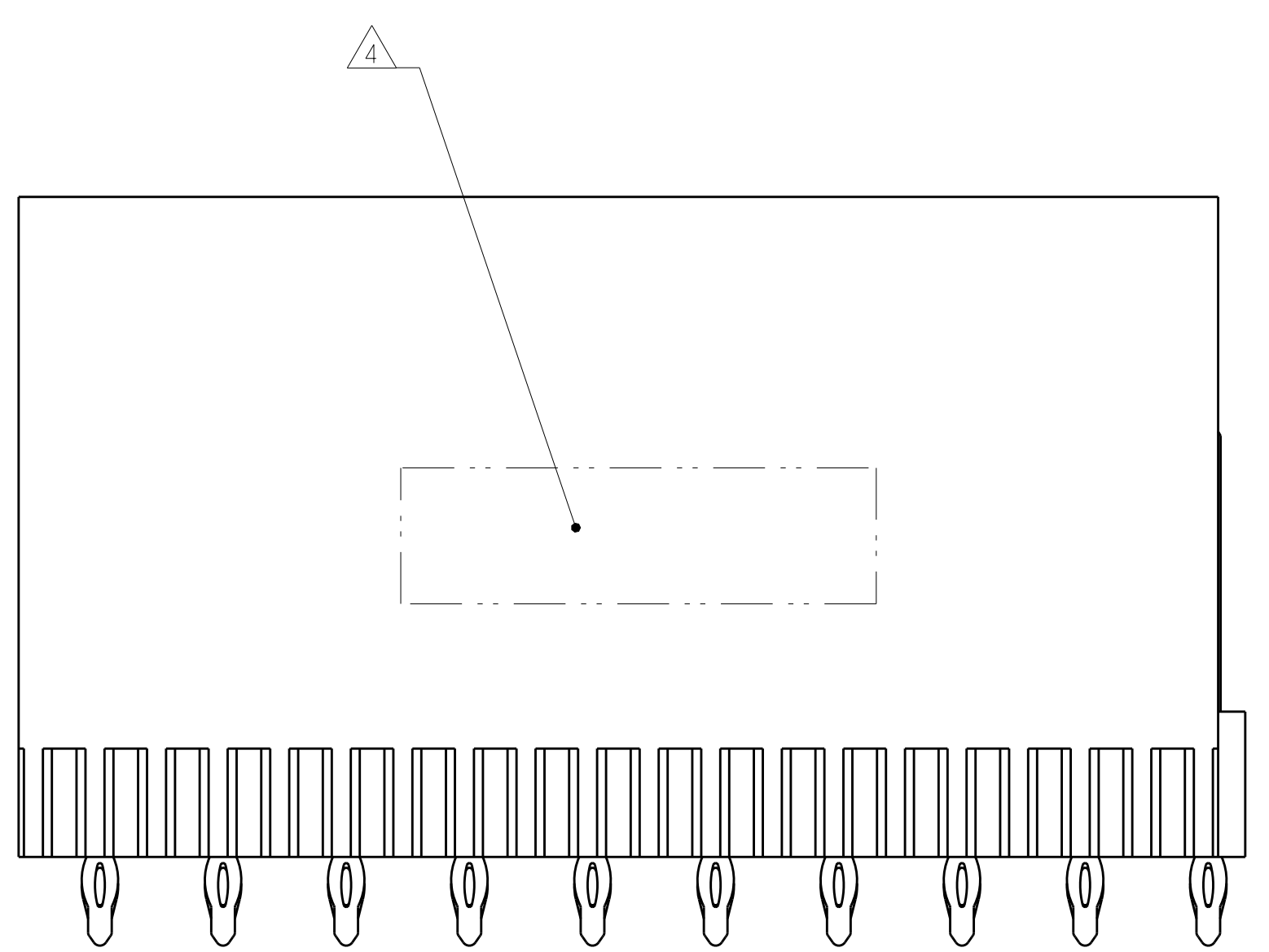
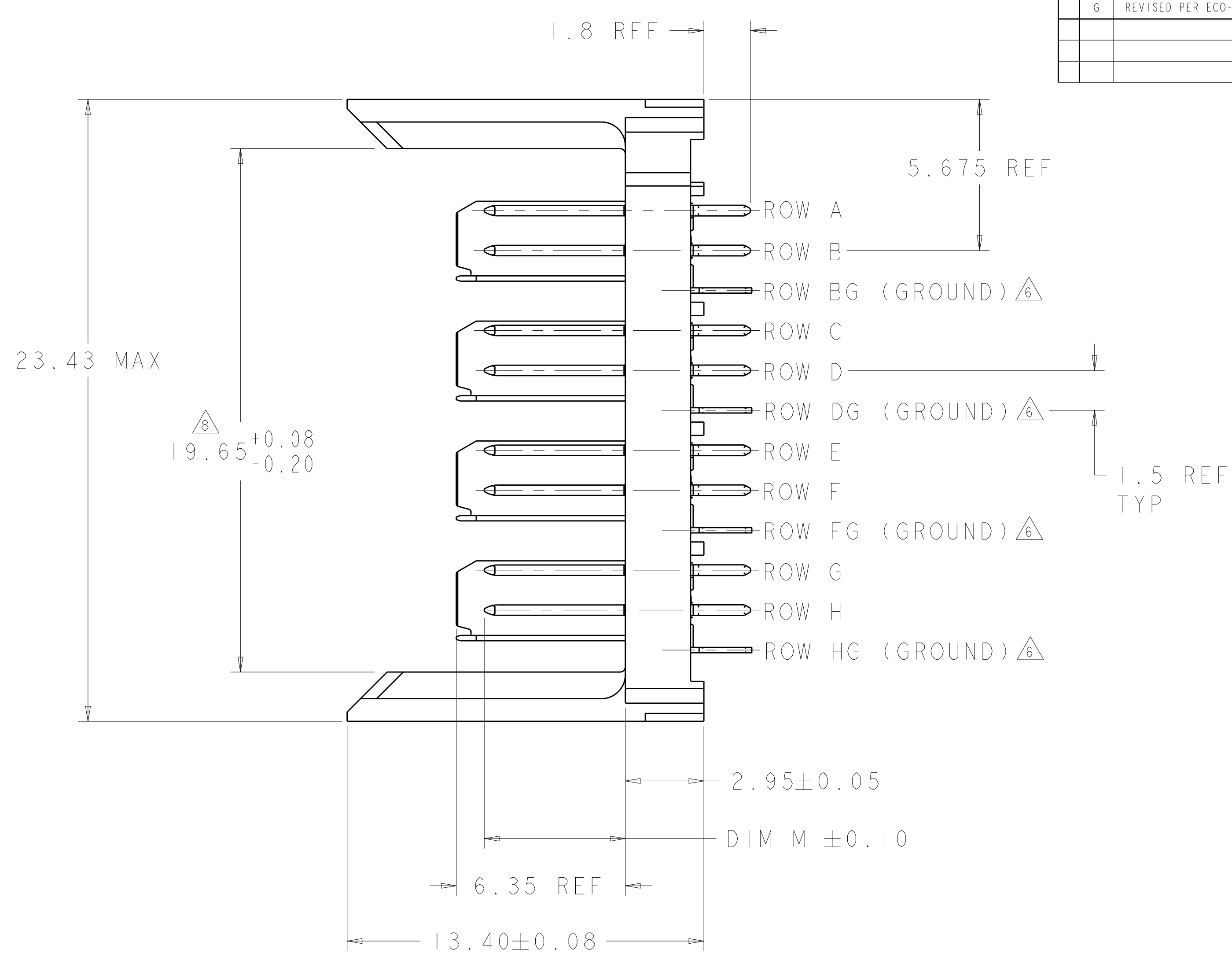
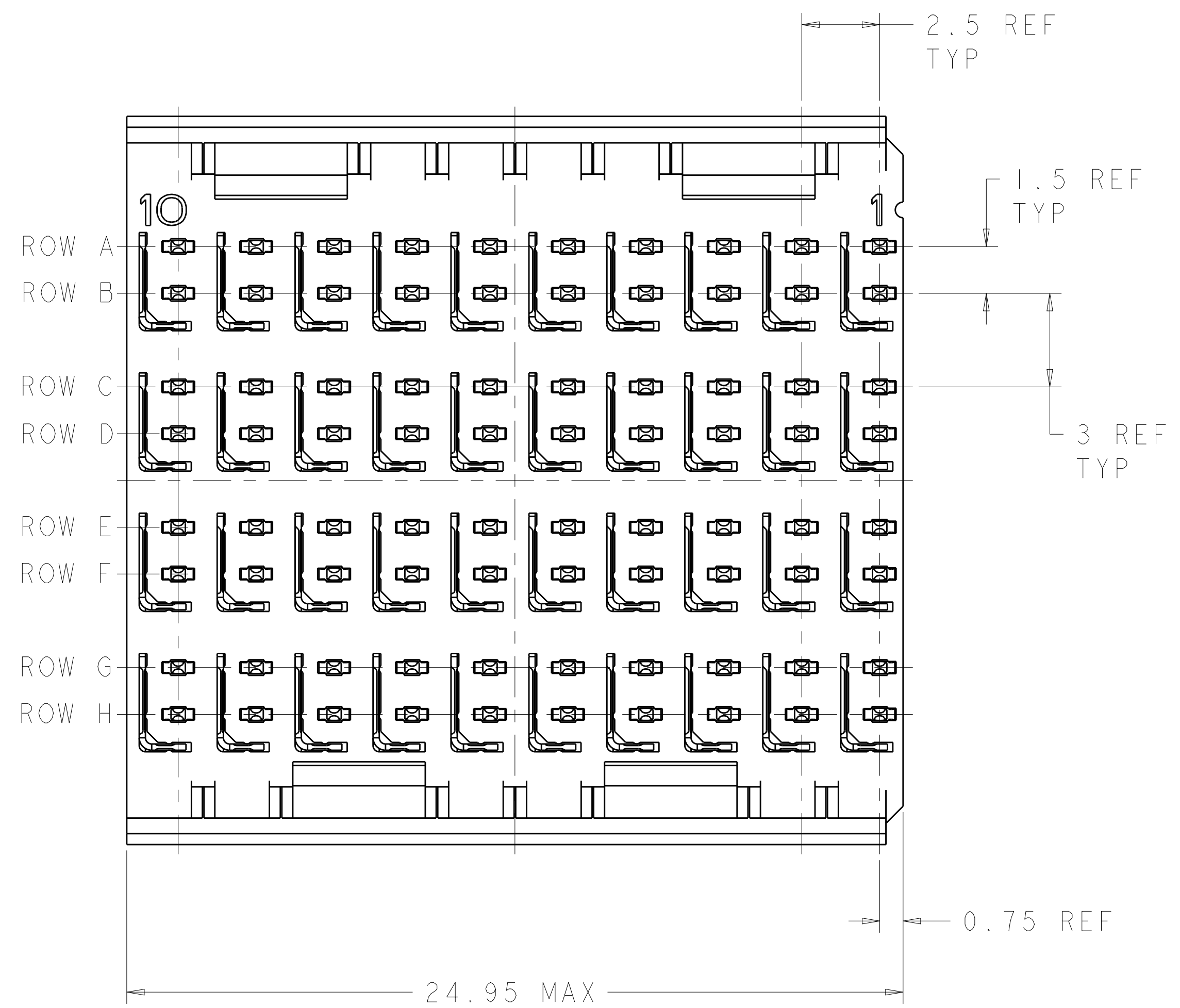


REVISIONS				
P.	LTN.	DESCRIPTION	DATE	APVD.
G		REVISED PER ECO-14-010016	02JUL2014	AP RP



- ⚠ REFERENCE APPLICATION SPEC 114-13059 FOR RECOMMENDED PLATED THRU HOLE DIAMETER AND PLATING THICKNESSES.
- ⚡ MATERIAL:
 CONTACT AND SHIELD - PHOSPHOR BRONZE
 HOUSING - GLASS FILLED POLYESTER. UL 94V-0.
- ⚡ FINISH: SIGNAL AND GROUND CONTACTS:
 MATING AREA: MEETS THE PERFORMANCE REQUIREMENTS OF PRODUCT SPECIFICATION 108-2055; BASED ON TELCORDIA GR-1217-CORE, APPLICATIONS IN UNCONTROLLED ENVIRONMENTS
 COMPLIANT PIN AREA: 0.5µm MIN BRIGHT TIN-LEAD OVER BASE PLATING
- ⚡ CONNECTOR MARKED WITH PART NUMBER AND DATE CODE.
- ⚡ DATUMS AND BASIC DIMENSIONS ESTABLISHED BY CUSTOMER.
- ⚡ THE FOUR GROUNDS IN EACH COLUMN ARE COMMONED.
- 7. CONTACT AREA LUBRICATED WITH BELLCORE APPROVED LUBRICANT. TECHNICAL REFERENCE: GR-1217-CORE, ISSUE 1, NOVEMBER 1995.
- ⚡ DIMENSION APPLIES TO FIRST AND LAST CIRCUITS.
- ⚡ OBSOLETE.

⚡
 ⌀0.05 X Y
 ALL PLATED THRU HOLES

RECOMMENDED PC BOARD LAYOUT, BACKPLANE, COMPONENT SIDE SHOWN
 SCALE 4:1

3.80	⚡ 1469074-2
5.30	1469074-1
DIM M	PART NUMBER

THIS DRAWING IS A CONTROLLED DOCUMENT.		OWN S. MAGARO 27SEP01 CHK R. PATTERSON 16AUG2007	TE Connectivity NAME: HEADER ASSEMBLY, 4 PAIR, 1.8mm TAIL, 25mm, HMZd PRODUCT SPEC: - APPLICATION SPEC: - SIZE: CAGE CODE: DRAWING NO: A100779 WEIGHT: - Customer Drawing
DIMENSIONS: mm	TOLERANCES UNLESS OTHERWISE SPECIFIED:	APVD: N. SCHROLL 27SEP01	
0 PLC ± 1 PLC ± 2 PLC ± 3 PLC ± 4 PLC ± ANGLES ±	FINISH	RESTRICTED TO	SCALE 8:1 SHEET 1 OF 1 REV G