

PART NAME: BALL KNOB    SCALE: 1:1    DATE: 8/21/96    DR. BY HD

THIS DRAWING IS THE PROPERTY OF DAVIES MOLDING COMPANY, IS SUBMITTED SOLELY AS A DESIGN OR ENGINEERING PROJECT. WE ACCEPT NO RESPONSIBILITY WHATSOEVER FOR THE PRACTICAL APPLICATION OF THE PIECES MADE TO THIS DESIGN.



DESIGNERS & MANUFACTURERS OF KNOBS, HANDLES, CASES & CUSTOM PLASTIC COMPONENTS

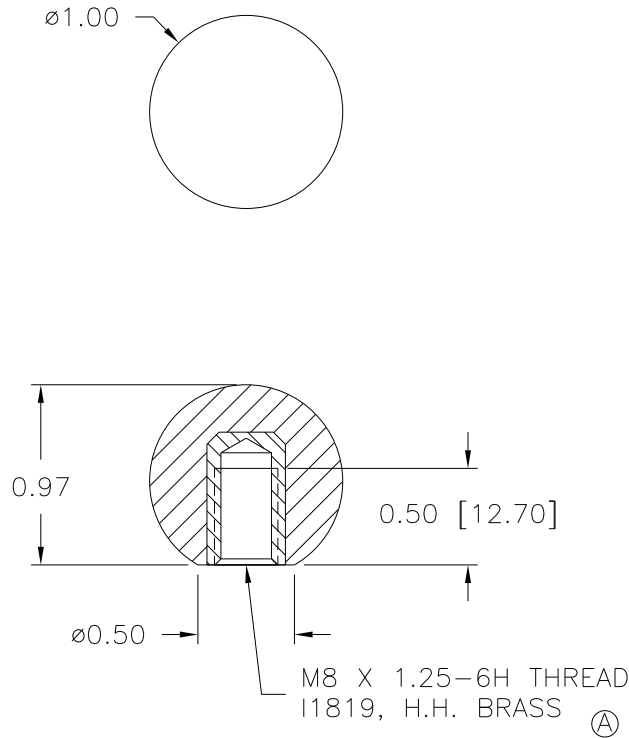
P/N 0030BF

M<sup>NO.</sup> 0030

PINS 0030-2

SHIMS 1/4+1/4

INSERT I1819



MATERIAL: G.P. PHENOLIC (B11)  
COLOR: BLACK

TOLERANCES: UNLESS OTHERWISE SPECIFIED	DO NOT SCALE DRAWING			
DECIMALS: X.XXX ± .005 X.XX  ± .015	MM: X.XX ± 0.15MM X.X  ± 0.4MM	-	REDRAWN	TL 10/28/99
FRACTIONS ± 1/64	ANG. ± 1°	A	WAS I2017	HD 10/16/97
CHANGES				