

4

3

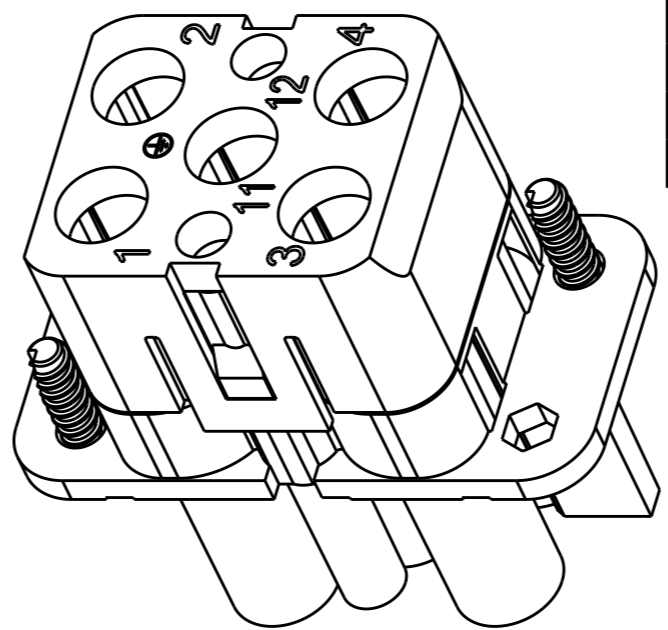
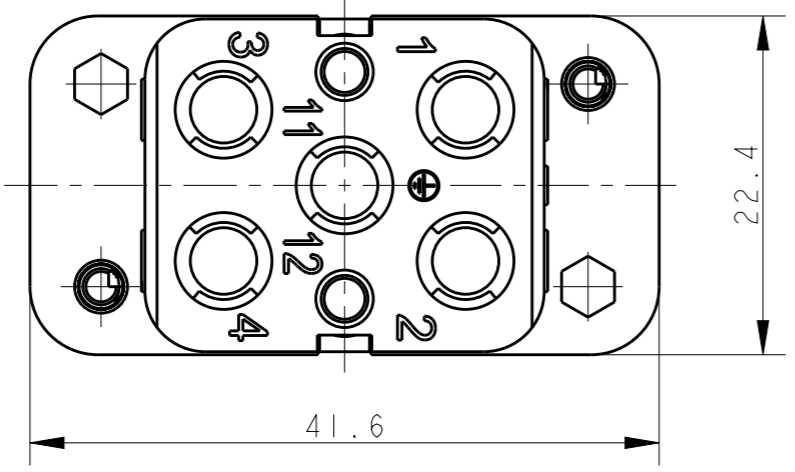
2

1

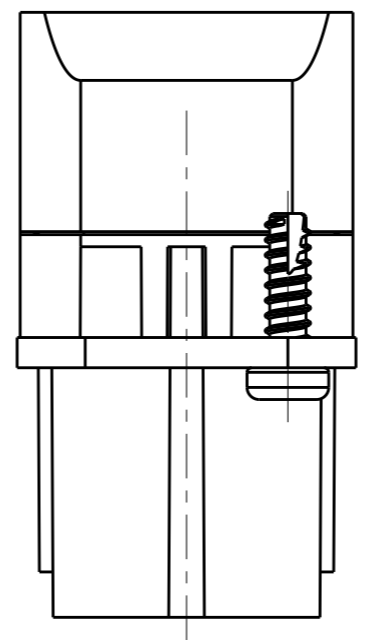
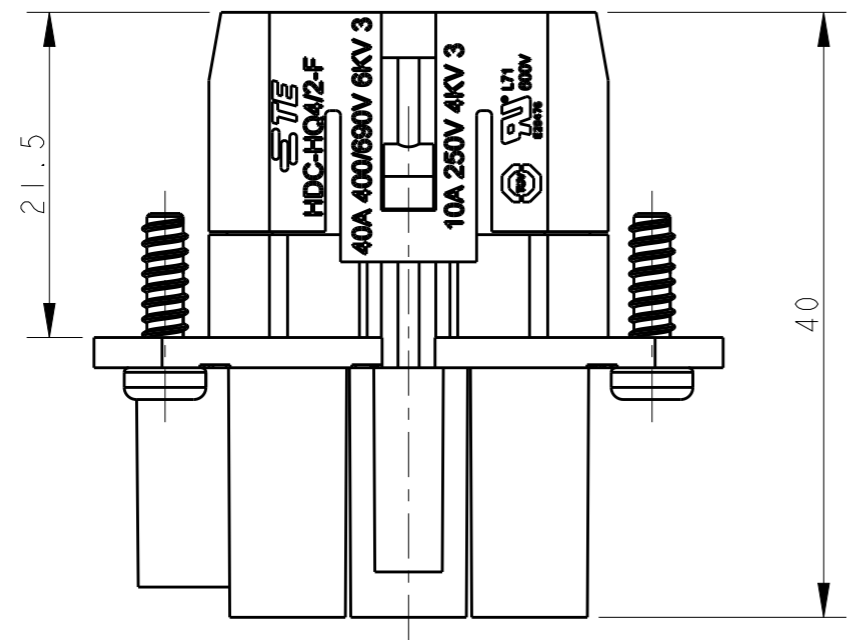
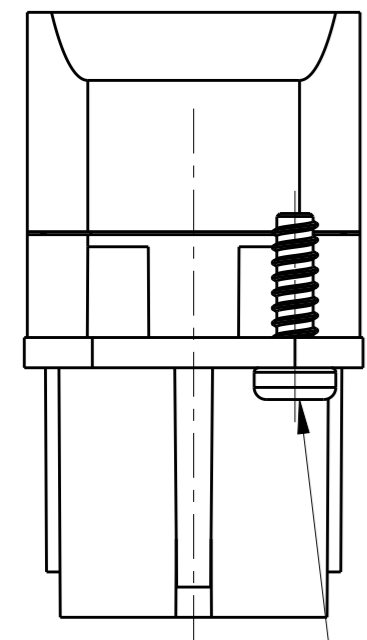
THIS DRAWING IS UNPUBLISHED. RELEASED FOR PUBLICATION 20
© COPYRIGHT 20 BY - ALL RIGHTS RESERVED.

REVISIONS

P	LTR	DESCRIPTION	DATE	DWN	APVD
A		INITIAL RELEASE	02APR2015	DL	CW
B		ECR-15-014706	09OCT2015	DL	CW
BI		ECR-16-000007	08JAN2016	YC	CW
C		ECR-18-017117	03NOV2018	BS	CW

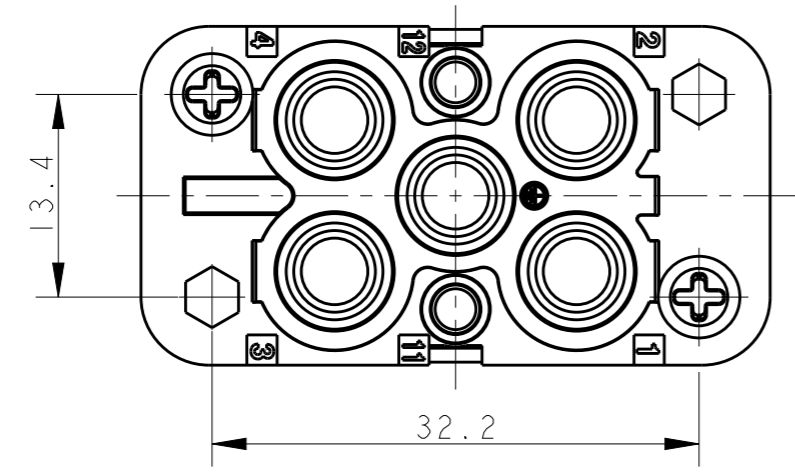


NOTES:
 1. TECHNICAL CHARACTERISTICS:
 INSULATION MATERIAL: PC
 FOR POWER SIDE:
 RATED VOLTAGE: CONDUCTOR-GROUND: 400V
 CONDUCTOR-CONDUCTOR: 690 V
 RATED CURRENT: 40 A
 RATED IMPULSE VOLTAGE: 6 KV
 POLLUTION DEGREE: 3
 FOR SIGNAL SIDE:
 RATED VOLTAGE: 250 V
 RATED CURRENT: 10 A
 RATED IMPULSE VOLTAGE: 4 KV
 POLLUTION DEGREE: 3
 INSULATION RESISTANCE: >=400MΩ
 FLAMMABILITY: UL94V-0
 MATING CYCLES: 500 CYCLES
 OPERATION TEMPERATURE: -40-+125°C
 WIRE RANGE: POWER PIN: 1-6 mm² (18-10 AWG)
 SIGNAL PIN: 0.14-2.5 mm² (26-14 AWG)
 CONTACT TYPE: CRIMP CONTACT
 2. CONTACT NEED TO BE ORDERED SEPARATELY.
 (ORDER No. REFER TO DRAWING: POWER PIN - T20400X20XX000;
 SIGNAL PIN - T20200X20XX000; GROUNDING PIN - T20400X20XX000)




2X ST2.9X10

注释:
 1. 技术参数:
 绝缘材料: PC
 电源侧
 额定电压: 导体-地: 400V; 导体-导体: 690V
 额定电流: 40A
 额定脉冲电压: 6 KV
 污染等级: 3
 信号侧
 额定电压: 250V
 额定电流: 10A
 额定脉冲电压: 4 KV
 污染等级: 3
 绝缘电阻: >=400MΩ
 阻燃等级: UL94V-0
 插拔次数: 500次
 工作温度: -40-+125°C
 接线范围: 电源PIN: 1-6 mm² (18-10 AWG)
 信号PIN: 0.14-2.5 mm² (26-14 AWG)
 接线类型: 冷压接
 2. 端子需要单独订购。
 (订货号参考图面: 电源PIN - T20400X20XX000; 信号PIN - T20200X20XX000;
 接地PIN - T20400X20XX000)



T2080062201-100	HQ-4/2-F	HQ4/2 FEMALE INSERT HQ4/2母插
PART NUMBER 料号	PART DESCRIPTION 描述	

THIS DRAWING IS A CONTROLLED DOCUMENT.		DWN 31MAR2015 DAVID LI	 TE Connectivity	
DIMENSIONS: mm		CHK 31MAR2015 CHRIS WANG		
TOLERANCES UNLESS OTHERWISE SPECIFIED:		APVD 31MAR2015 XU XIANG	NAME HQ-4/2-F	
0 PLC ±-		PRODUCT SPEC 108-137117	SIZE	
1 PLC ±-		APPLICATION SPEC 114-137117	CAGE CODE	
2 PLC ±-		WEIGHT	DRAWING NO T2080062201100	
3 PLC ±-		CUSTOMER DRAWING	RESTRICTED TO	
4 PLC ±-			SCALE 2:1	
ANGLES ±-			SHEET 1 OF 1	
FINISH			REV C	