

# MHDTZK Series

## Diecast Hood & D-Sub Connector Kit | Machined



### Description

- Stamped & Formed D-Sub contacts, selective Gold plated contacts, Tin plated solder buckets
- Strong Nickel plated, diecast, Zinc hood
- Straight cable entry
- Will accommodate 4.0mm to 13.0mm diameter cable
- Compression cable clamp inserts for 4, 5, 7 and 9mm diameter cable
- Compression inserts can be mixed to obtain maximum cable retention
- 4-40 UNC plastic capped jackscrews

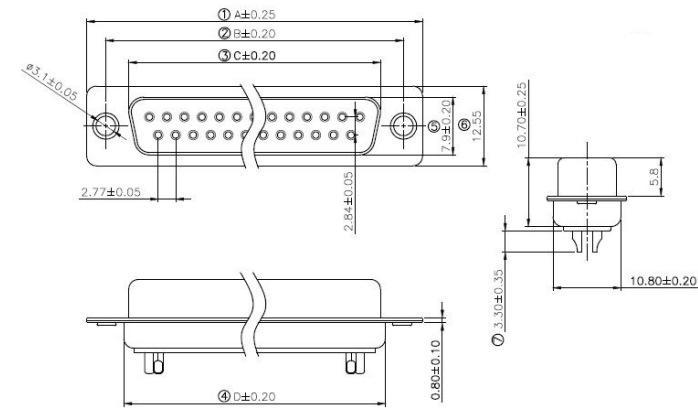
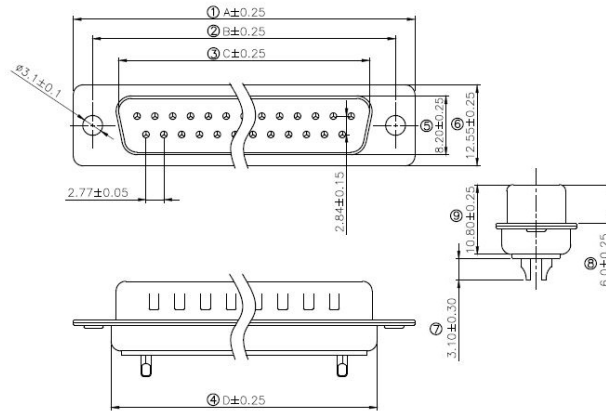
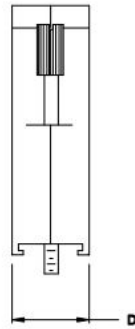
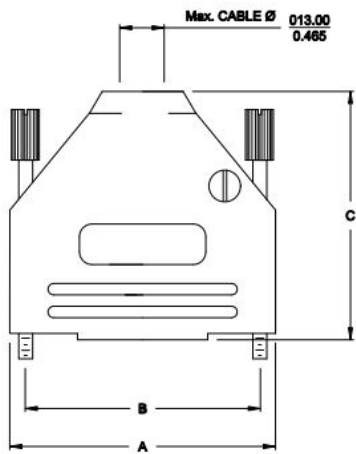
### Specification



D-Sub	
Voltage Rating	250V
Current Rating	5 Amps
Contact Resistance	25mΩ Max
Insulation Resistance	1000MΩ
Operating Temperature	-55°C to 105°C
Shell	Tin plated Steel
Insulator Material	Glass filled Polyester
Contact Material	Copper alloy
Contact Plating	Selective Gold over Nickel, solder bucket: Tin plated

Hood	
No. Contacts	9, 15 & 25
Kit Type	D-Sub connector kit
Housing Material	Nickel plated Zinc
Cable Entry	Straight
Cable OD	Up to 13.0mm

The Kit Contains		
Backshell Halves		x 2
D-Sub connector		x 1
Housing screws		x 2
4-40 UNC Plastic capped jackscrews		x 2
Compression inserts		x 1



Hood Dimensions				
Size	A	B	C	D
09	31.20mm	24.99mm	39.90mm	15.00mm
	1.228"	0.984"	1.571"	0.591"
15	39.50mm	33.32mm	41.50mm	15.00mm
	1.555"	1.312"	1.634"	0.591"
25	53.40mm	47.04mm	48.60mm	15.00mm
	2.102"	1.852"	1.913"	0.591"

Male Dimensions			
	09	15	25
A	30.81mm	39.25mm	53.03mm
B	24.99mm	33.32mm	38.96mm
C	19.28mm	27.75mm	41.30mm
D	19.23mm	27.56mm	41.30mm

Female Dimensions			
	09	15	25
A	30.88mm	39.20mm	53.02mm
B	24.88mm	33.30mm	47.04mm
C	19.28mm	27.75mm	41.30mm
D	18.94mm	27.50mm	41.20mm

Part No.	Norcomp Part No.	Positions	Male/Female	Contact Type	Hood Part No.	Norcomp Part No.	D-Sub Part No.	Norcomp Part No.
MHDTZK9-DB9P-K	999-009-E30S102	9 Pin	Male	Stamped & Formed	MHDTZK-9-K	970-009-030R121	MHDB9SP	171-009-102L001
MHDTZK15-DB15P-K	999-015-E30S102	15 Pin	Male	Stamped & Formed	MHDTZK-15-K	970-015-030R121	MHDB15SP	171-015-102L001
MHDTZK25-DB25P-K	999-025-E30S102	25 Pin	Male	Stamped & Formed	MHDTZK-25-K	970-025-030R121	MHDB25SP	171-025-102L001
MHDTZK9-DB9S-K	999-009-E30S202	9 Pin	Female	Stamped & Formed	MHDTZK-9-K	970-009-030R121	MHDB9SS	171-009-202L001
MHDTZK15-DB15S-K	999-015-E30S202	15 Pin	Female	Stamped & Formed	MHDTZK-15-K	970-015-030R121	MHDB15SS	171-015-202L001
MHDTZK25-DB25S-K	999-025-E30S202	25 Pin	Female	Stamped & Formed	MHDTZK-25-K	970-025-030R121	MHDB25SS	171-025-202L001

