

# MICRO SWITCH

A DIVISION OF MINNEAPOLIS-HONEYWELL REGULATOR COMPANY  
 FREEPORT, ILLINOIS  
 FED. MFR. CODE 91929

## ACTUATOR - SWITCH

CATALOG LISTING

JT-5

5

(M) JT-5  
 ISSUE 1

M JT-5

DRAWING NUMBER

ISSUE

6

REPLACES

RELEASE NO.

11 MAY 56

C.N.T.

CHECK

10 MAY 56

B.L.S.

7 MAY 57

26 JUNE 58

17 MAY 56

G.L.H.

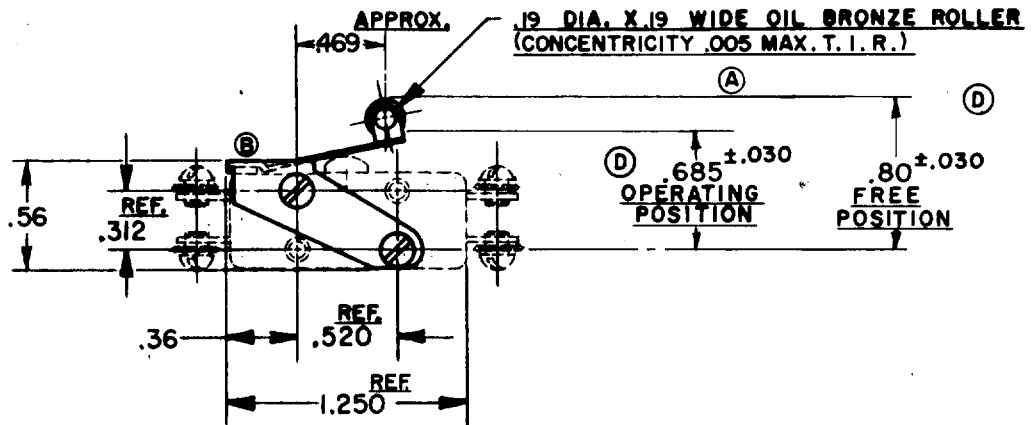
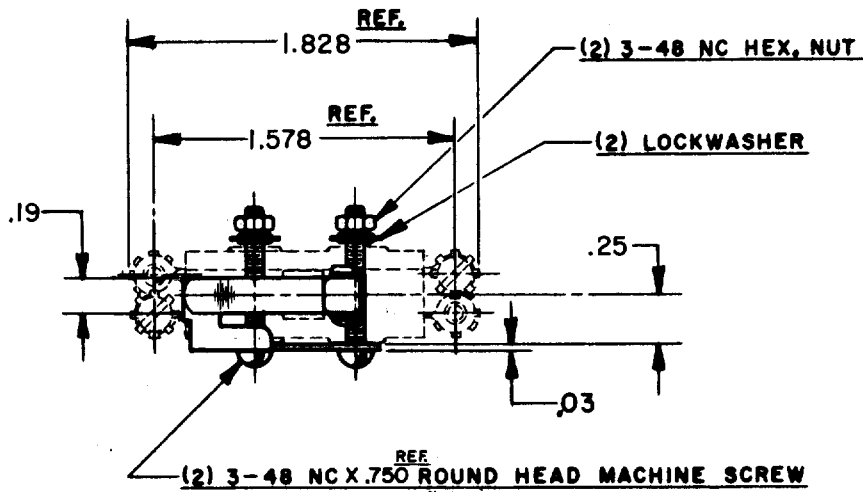
CHECK

56

7 MAY

R. E. R.

74-26



**NOTE-**

1-SCREWS, NUTS, AND LOCKWASHERS FURNISHED UNASSEMBLED.

THIS DRAWING COVERS A PROPRIETARY ITEM AND IS THE PROPERTY OF MICRO SWITCH, A DIVISION OF HONEYWELL. THIS DRAWING IS NOT TO BE COPIED OR USED WITHOUT THE APPROVAL OF MICRO SWITCH.

**CHARACTERISTICS WITH TBI-1 BASIC SWITCH INSTALLED**

OPERATING FORCE ----- 16 OZ. MAX.  
 RELEASE FORCE ----- 2 OZ. MIN.  
 DIFFERENTIAL TRAVEL ----- .062 MAX.  
 OVERTRAVEL ----- .025 MIN.

Ⓚ

**ELECTRICAL DATA**

CONTACT ARRANGEMENT

BREAK DISTANCE

**SCALE FULL**

DO NOT SCALE PRINT

UNLESS OTHERWISE SPECIFIED  
 DIMENSIONS ARE IN INCHES  
**TOLERANCES ARE:**

ONE PLACE (.0) ±.030  
 TWO PLACE (.00) ±.015  
 THREE PLACE (.000) ±.005  
 ANGLES ±

WEIGHT

DRAWN

7 MAY

R. E. R.