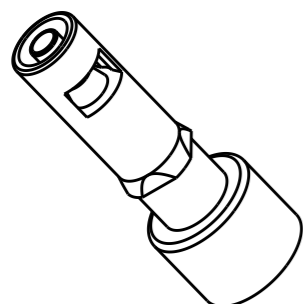


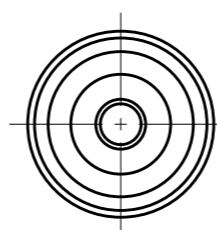
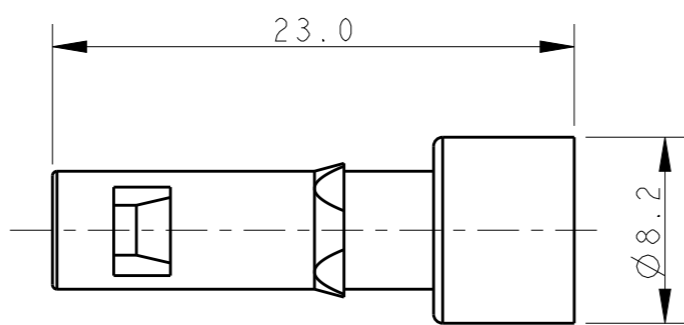
REVISIONS

| P | LTR | DESCRIPTION | DATE      | DWN | APVD |
|---|-----|-------------|-----------|-----|------|
|   | A   | INITIAL     | 10MAR2017 | RL  | CW   |
|   |     |             |           |     |      |
|   |     |             |           |     |      |

T2090002201-001 Pneu-c-F1.6



SCALE 2:1



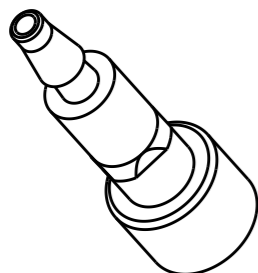
NOTES:

- MATERIAL: PC;
- TUBE ID:
  - 1.6 / 3.0 / 4.0mm (MATED WITH T2111032301-000 HMN-PA3)
  - 6.0mm (MATED WITH T2111022301-000 HMN-PA2)

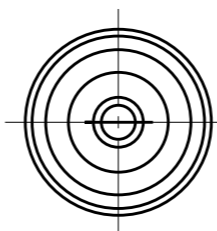
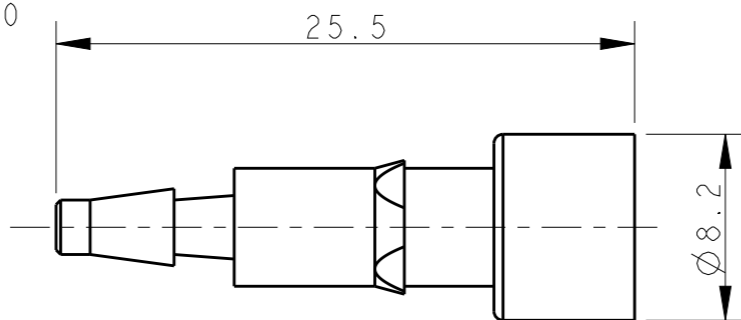
注释:

- 材料: PC;
- 导管内径:
  - 1.6 / 3.0 / 4.0mm (与T2111032301-000 HMN-PA3配合)
  - 6.0mm (与T2111022301-000 HMN-PA2配合)

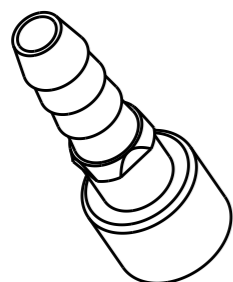
T2090002201-002 Pneu-c-F3.0



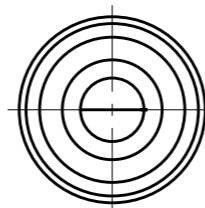
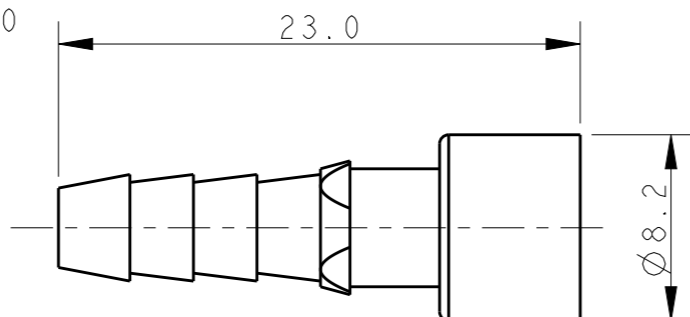
SCALE 2:1



T2090002201-003 Pneu-c-F4.0



SCALE 2:1



|                   |             |   |                       |
|-------------------|-------------|---|-----------------------|
| T2090002201-001   | Pneu-c-F1.6 | Pneu-c Ø1.6 SOCKET CONTACT<br>Pneu-c Ø1.6母针 | 1.6                   |
| T2090002201-002   | Pneu-c-F3.0 | Pneu-c Ø3.0 SOCKET CONTACT<br>Pneu-c Ø3.0母针 | 3.0                   |
| T2090002201-003   | Pneu-c-F4.0 | Pneu-c Ø4.0 SOCKET CONTACT<br>Pneu-c Ø4.0母针 | 4.0                   |
| PART NUMBER<br>料号 |             | PART DESCRIPTION<br>描述                      | TUBE ID<br>导管内径(Ø/mm) |

THIS DRAWING IS A CONTROLLED DOCUMENT.

| DIMENSIONS: |        | TOLERANCES UNLESS OTHERWISE SPECIFIED: |   |
|-------------|--------|--|---|
| mm          |        |  |   |
|             | 0 PLC  | ±-                                     |   |
|             | 1 PLC  | ±-                                     |   |
|             | 2 PLC  | ±-                                     |   |
|             | 3 PLC  | ±-                                     |   |
|             | 4 PLC  | ±-                                     |   |
|             | ANGLES | ±-                                     |   |
| MATERIAL    | FINISH | -                                      | - |
| -           | -      | -                                      | - |

|                  |            |           |
|------------------|------------|-----------|
| DWN              | ROY LIU    | 10MAR2017 |
| CHK              | KYLE ZENG  | 10MAR2017 |
| APVD             | CHRIS WANG | 10MAR2017 |
| PRODUCT SPEC     | -          |           |
| APPLICATION SPEC | -          |           |
| WEIGHT           | -          |           |

|                            |           |                  |               |
|----------------------------|-----------|------------------|---------------|
| <b>STE</b> TE Connectivity |           |                  |               |
| NAME<br>Pneu-c-FXX         |           |                  |               |
| SIZE                       | CAGE CODE | DRAWING NO       | RESTRICTED TO |
| A3                         | -         | ©-T209000220100X | -             |
| CUSTOMER DRAWING           |           | SCALE            | SHEET         |
|                            |           | 3:1              | 1 OF 2        |
|                            |           | REV              | A             |

4

3

2

1

THIS DRAWING IS UNPUBLISHED.

RELEASED FOR PUBLICATION

20

© COPYRIGHT 20

BY -

ALL RIGHTS RESERVED.

REVISIONS

| P | LTR | DESCRIPTION | DATE | DWN | APVD |
|---|-----|-------------|------|-----|------|
| - |     | SEE SHEET 1 | -    | -   | -    |
|   |     |             |      |     |      |
|   |     |             |      |     |      |

T2090002201-004 Pneu-c-F6.0

SCALE 2:1

NOTES:  
SEE SHEET 1

|                   |                        |   |                              |
|-------------------|------------------------|---|------------------------------|
| T2090002201-004   | Pneu-c-F6.0            | Pneu-c $\phi$ 6.0 SOCKET CONTACT<br>Pneu-c $\phi$ 6.0母针 | 6.0                          |
| PART NUMBER<br>料号 | PART DESCRIPTION<br>描述 |   | TUBE ID<br>导管内径( $\phi$ /mm) |

|  |  |                                 |                              |                 |
|--|--|---------------------------------|------------------------------|-----------------|
| THIS DRAWING IS A CONTROLLED DOCUMENT. |  | DWN<br>ROY LIU<br>10MAR2017     |                              |                 |
| DIMENSIONS:<br>mm                      |  | CHK<br>KYLE ZENG<br>10MAR2017   |                              |                 |
| TOLERANCES UNLESS OTHERWISE SPECIFIED: |  | APVD<br>CHRIS WANG<br>10MAR2017 | NAME<br>Pneu-c-FXX           |                 |
| 0 PLC $\pm$ -                          |  | PRODUCT SPEC                    | -                            |                 |
| 1 PLC $\pm$ -                          |  | APPLICATION SPEC                | -                            |                 |
| 2 PLC $\pm$ -                          |  | WEIGHT                          | -                            |                 |
| 3 PLC $\pm$ -                          |  | CUSTOMER DRAWING                | SIZE<br>A3                   | CAGE CODE<br>-  |
| 4 PLC $\pm$ -                          |  | FINISH                          | DRAWING NO<br>T209000220100X |                 |
| ANGLES $\pm$ -                         |  | MATERIAL                        | RESTRICTED TO<br>-           |                 |
| -                                      |  |                                 | SCALE<br>3:1                 | SHEET<br>2 OF 2 |
| -                                      |  |                                 | REV<br>A                     |                 |

1470-19 (3/13)